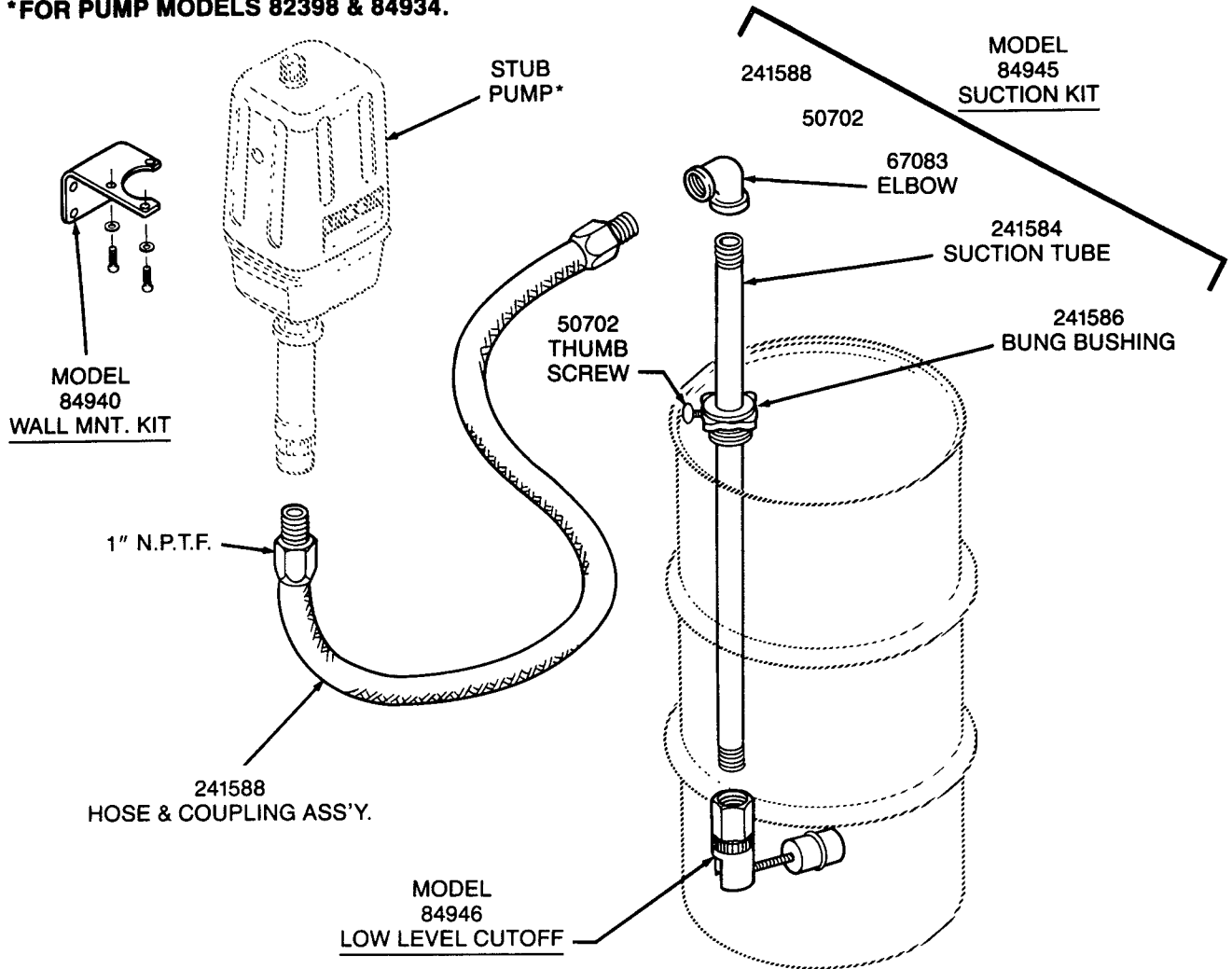


WALL BRACKET, SUCTION KIT & LOW LEVEL CUT-OFF

Models 84940, 84945
84946

*FOR PUMP MODELS 82398 & 84934.



SERVICE PARTS

84940 WALL MOUNT KIT—2½" PUMPS

QUAN. REQ'D.	PART NO.	DESCRIPTION
3	50018	Screw
3	66186	Lockwasher
1	241401	Bracket

84945 SUCTION KIT

QUAN. REQ'D.	PART NO.	DESCRIPTION
1	241568	Bung Bushing
1	50702	Thumb Screw
1	241584	Suction Tube
1	67083	90° Elbow
1	241588	Hose & Coupling Assembly

LINCOLN

®A PENTAIR COMPANY

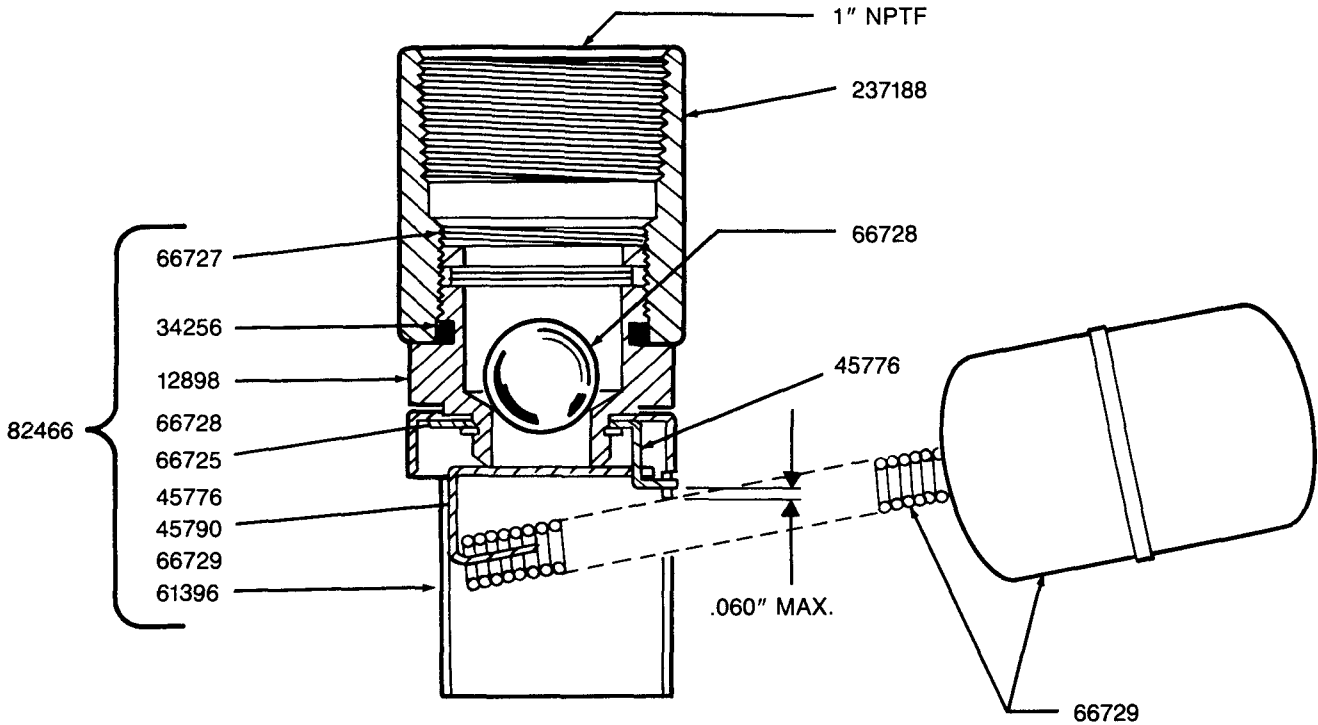
One Lincoln Way
St. Louis, Missouri 63120-1578
(314) 679-4200

SECTION -K5

PAGE -2

FORM 412581

MODEL 84946 LOW LEVEL CUT-OFF



IMPORTANT: When replacing 45790 Valve Toggle, bend toggle so that 66729 Float & Spring Arm is in position as shown using dimension given.

SERVICE PARTS

Part	Qty.	Description
12898	1	Valve body
237188	1	Adapter bushing
34256	1	O-ring
45776	1	Toggle bracket
45790	1	Valve toggle
61396	1	Valve tube
66725	1	Retaining ring
66727	1	Roll pin
66728	1	Steel ball
66729	1	Float & spring arm
82466	1	Low level cut-off

————— **RETAIN THIS INFORMATION FOR FUTURE REFERENCE** —————

When ordering replacement parts, list: Part Number, Description, Model Number, and Series Letter.
LINCOLN provides a Distributor Network that stocks equipment and replacement parts.