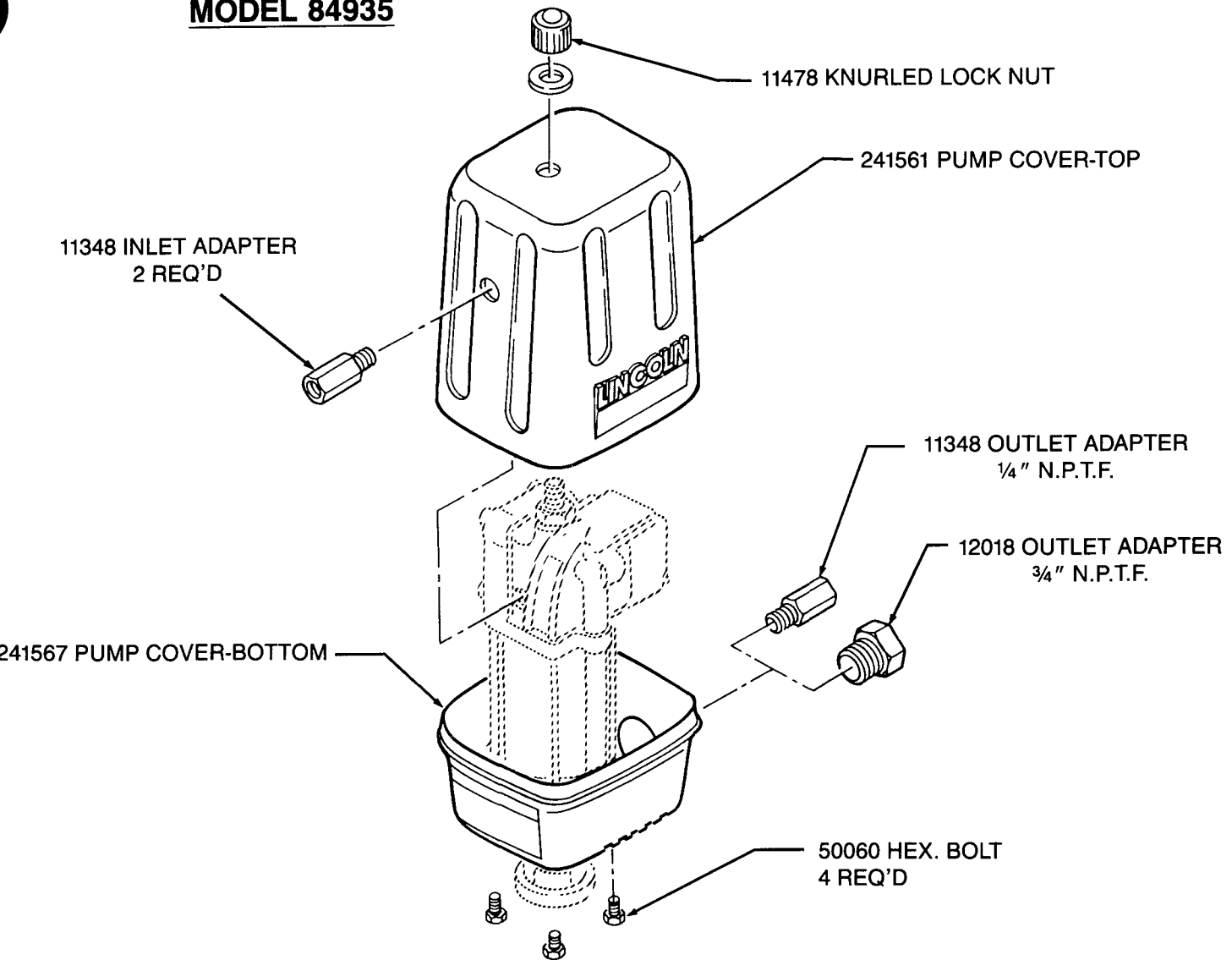


MODEL 84935



ASSEMBLY INSTRUCTIONS

1. Slide bottom pump cover up over pump tube and fasten with (4) screws provided. Note: if pump is used with drum cover, slide drum cover up over pump tube and mount flush against the bottom pump cover and fasten using (4) screws provided.
2. Assemble one of the two outlet adapters provided through the bottom pump cover and into the pump. The other adapter can be discarded.
3. Assemble top pump cover over the pump to fit onto bottom pump cover and fasten using the knurled lock nut provided.
4. Assemble the inlet adapter through the top pump cover and into the pump.