

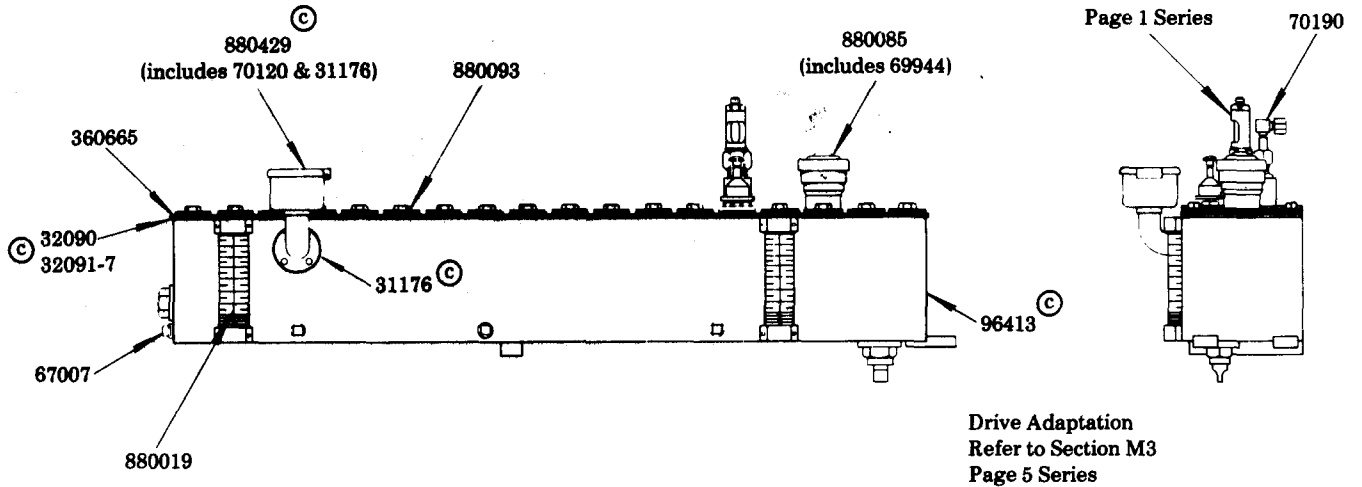
**LUBRICATOR**  
**R.H. BOTTOM VERTICAL DRIVE**  
**350 : 1 RATIO**  
**2.5 GALLON RESERVOIR**



**Model 800014** SERIES

**Series "A"**

34622 included with Pumps,  
 Slot Covers, and 880085 Filler.



**SERVICE PARTS**

PART NO.	QUAN.	DESCRIPTION
32090	2	Cover Gasket End
32091-7	2	Cover Gasket Strip
31176	1	Gasket
34622	As Req'd.	Gasket
67007	2	Drain Plug
69944	1	Strainer
70120	1	Strainer
70190	As Req'd.	90° Tube Connector
96413	1	Reservoir
360665	1	Cover Plate
880019	2	Gauge Glass Assembly
880085	1	Filler Assembly
880093	As Req'd.	Slot Cover Assembly
880187	As Req'd.	Model "55" Pump
880429	1	Elbow Filler Assembly

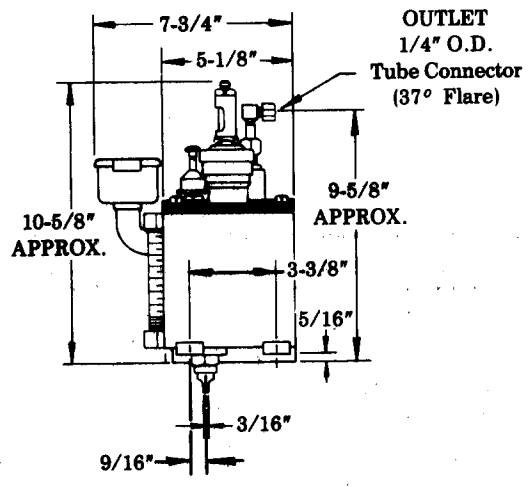
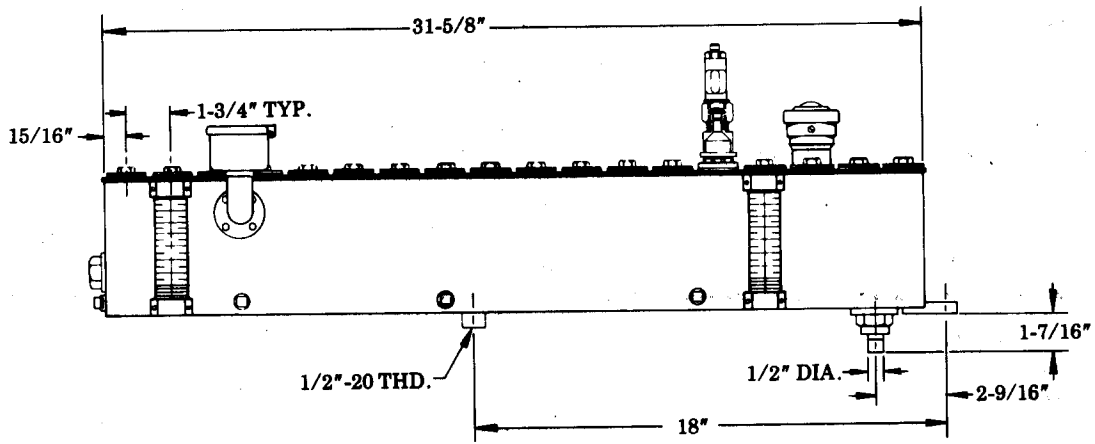
© Indicates change

**LINCOLN ST. LOUIS**  
 4010 GOODFELLOW BLVD. • ST. LOUIS, MO. 63120 • (314) 383-5900



A DIVISION OF  
**McNEIL**  
 CORPORATION

SECTION - **M2**  
 PAGE - **10A**



**RETAIN THIS INFORMATION FOR FUTURE REFERENCE**

When ordering replacement parts, list: Part Number, Description, Model Number, and Series Letter.  
**LINCOLN ST. LOUIS** provides a **Distributor Network** that stocks equipment and replacement parts.