

LUBRICATOR

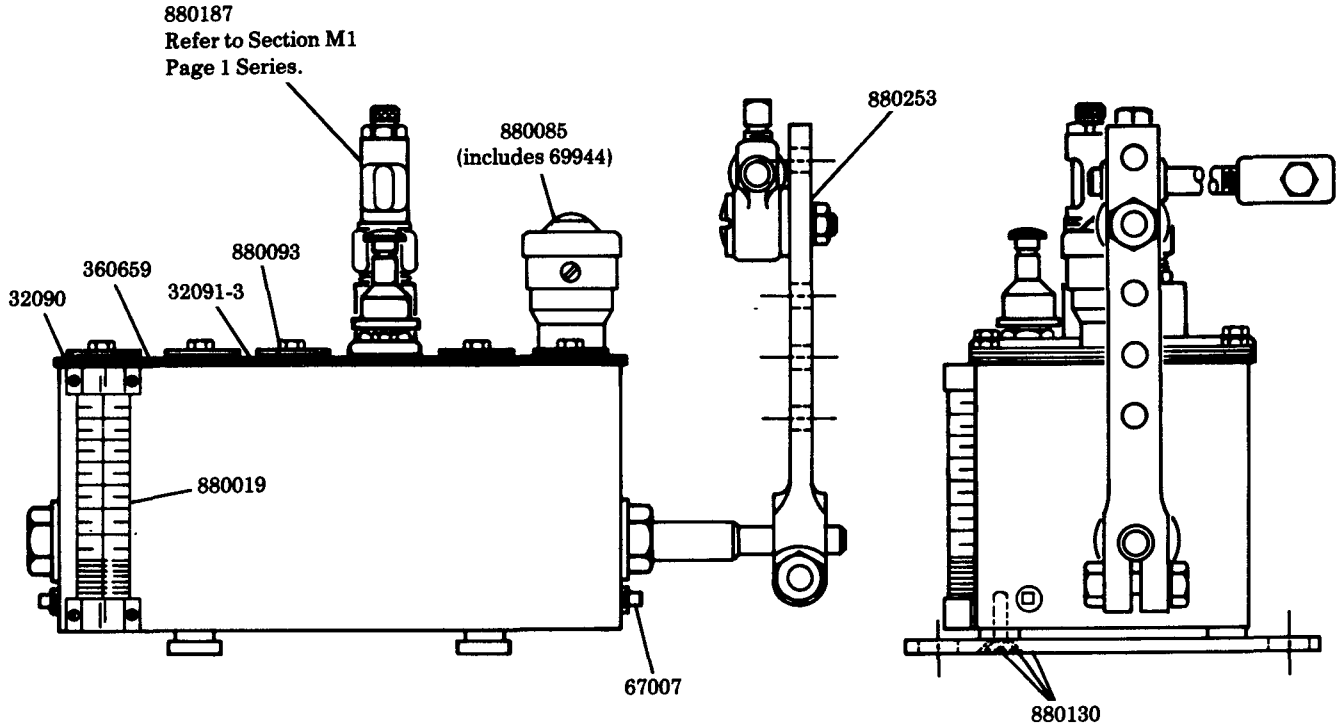
R.H. OSCILLATING DRIVE
 120° STROKE TRAVEL
 2 QT. RESERVOIR - C.C.W. ROTATION
 INCLUDES BUNA-N OIL SEALS



Model 800070 SERIES

Series "B"

34622 included with pumps,
 slot covers and filler.



DRIVE ADAPTATION:
 Refer to Section M3
 Page 32 Series.

SERVICE PARTS

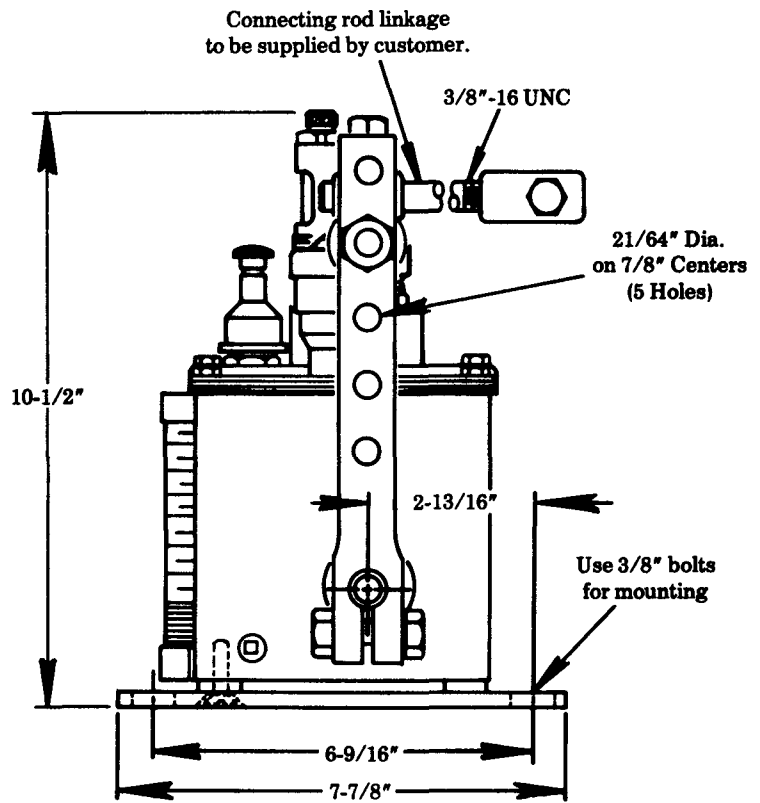
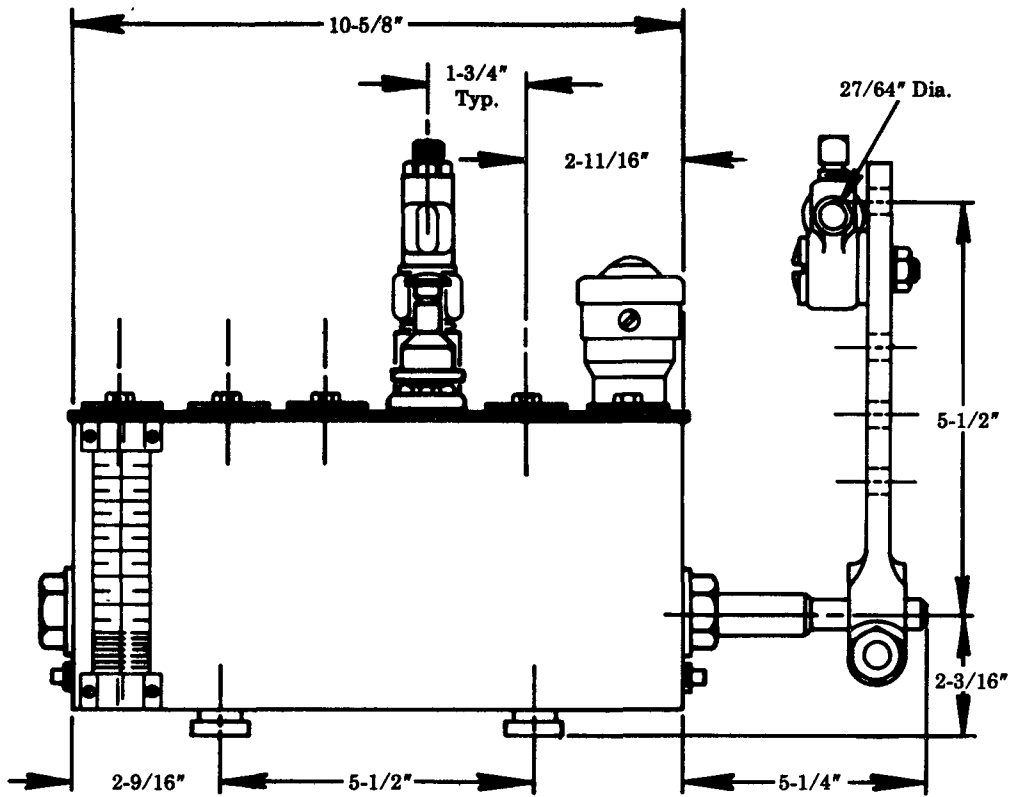
PART	QUAN.	DESCRIPTION
32090	2	Cover gasket end
32091-3	2	Cover gasket strip
34622	As req'd	Gasket
67007	2	Drain plug
69944	1	Strainer
360659	1	Cover plate
880019	1	Gauge glass assembly
880085	1	Filler assembly
880093	As req'd	Slot cover assembly
880130	2	Bracket assembly
880187	As req'd	Model "55" pump assembly
880253	1	Lever & clamp assembly

LINCOLN

A PENTAIR COMPANY

One Lincoln Way
 St. Louis, MO 63120-1578
 (314) 679-4200
 Customer Service, (314) 679-4300

SECTION - M2
 PAGE - 116A



RETAIN THIS INFORMATION FOR FUTURE REFERENCE

When ordering replacement parts, list: Part Number, Description, Model Number, and Series Letter.

LINCOLN ST. LOUIS provides a Distributor Network that stocks equipment and replacement parts.