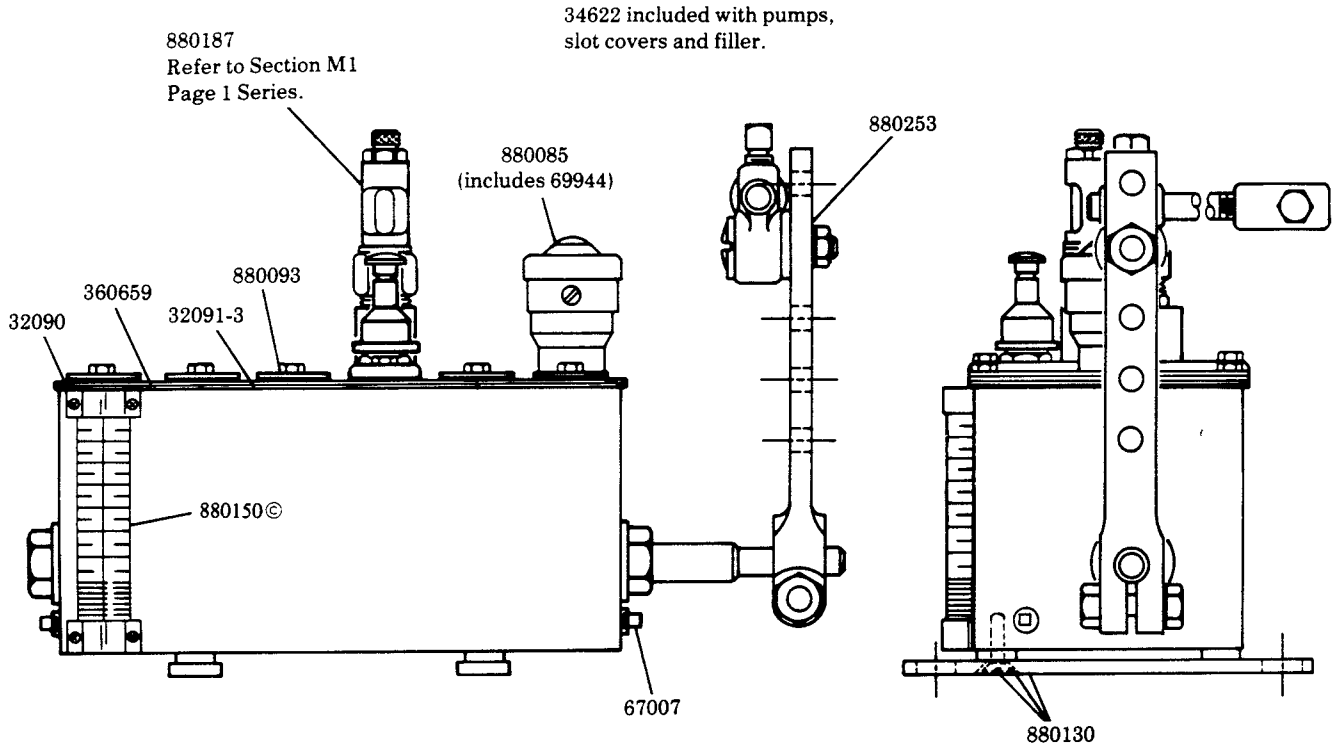


**R.H. OSCILLATING DRIVE  
120° STROKE TRAVEL  
2 QT. RESERVOIR - C.C.W. ROTATION  
INCLUDES BUNA-N OIL SEALS**



© Indicates Change

**DRIVE ADAPTATION:**  
Refer to Section M3  
Page 32 Series.

### SERVICE PARTS

PART	QUAN.	DESCRIPTION
32090	2	Cover gasket end
32091-3	2	Cover gasket strip
34622	As req'd	Gasket
67007	2	Drain plug
69944	1	Strainer
360659	1	Cover plate
880085	1	Filler assembly
880093	As req'd	Slot cover assembly
880130	2	Bracket assembly
880150	1	Gauge glass assembly
880187	As req'd	Model "55" pump assembly
880253	1	Lever & clamp assembly

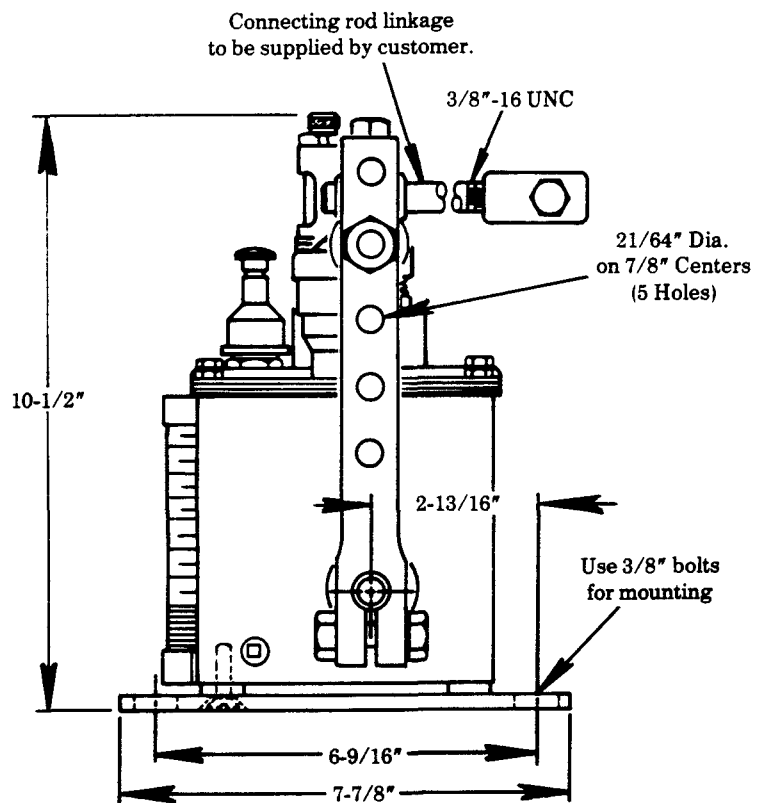
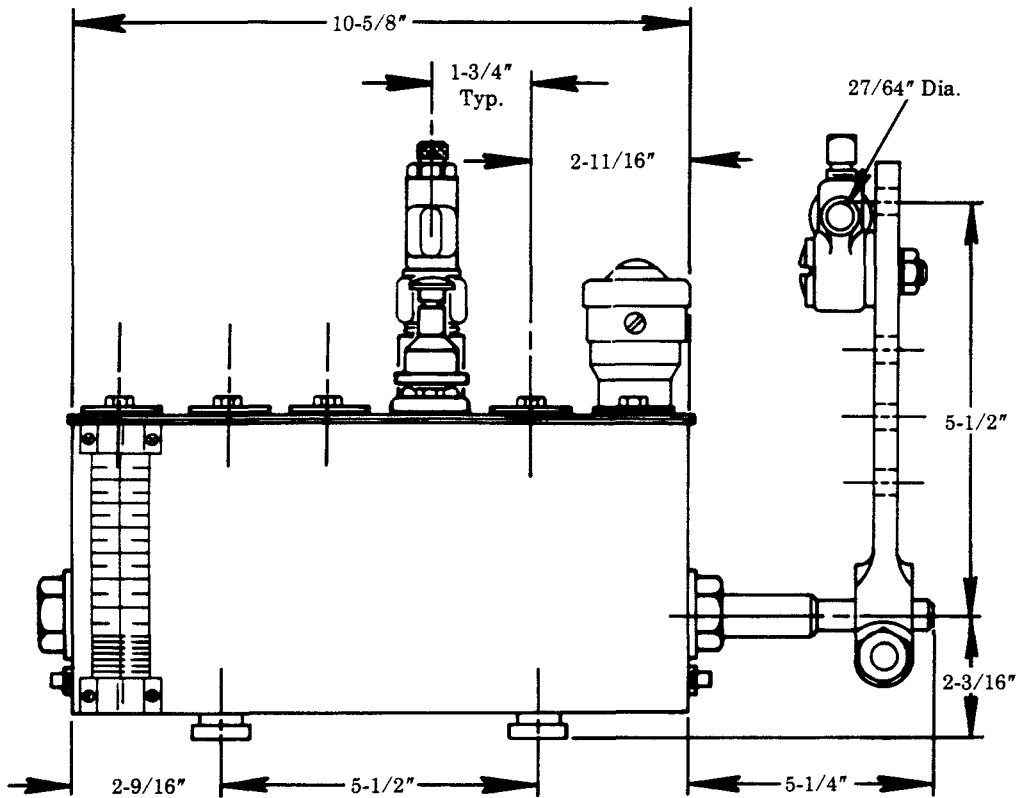
**LINCOLN**

A PENTAIR COMPANY

One Lincoln Way  
St. Louis, Missouri 63120-1578  
(314) 679-4300

© Copyright 1991  
Printed in U.S.A.

**SECTION - M2  
PAGE - 116B**



**RETAIN THIS INFORMATION FOR FUTURE REFERENCE**

When ordering replacement parts, list: Part Number, Description, Model Number, and Series Letter.

LINCOLN provides a Distributor Network that stocks equipment and replacement parts.