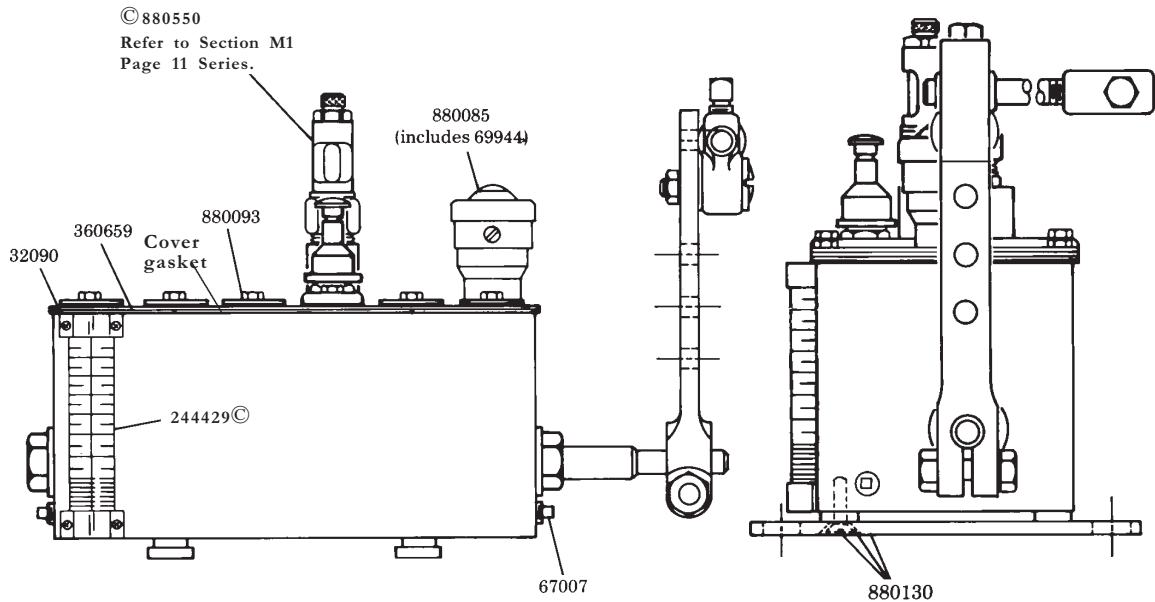


**NOTE:** Part numbers listed on this page are correct, although drawings may not accurately illustrate current production components.

**R.H. OSCILLATING DRIVE**  
**120 DEGREE STROKE TRAVEL**  
**2 QT. RESERVOIR - C.C.W. ROTATION**  
**INCLUDES BUNA-N OIL SEALS**



© Indicates Change

**DRIVE ADAPTATION:**  
Refer to Section M3  
Page 32 Series.

**SERVICE PARTS**

PART	QTY	DESCRIPTION
32090	2	Cover gasket end
32091-14	Cut to fit	Cover gasket strip (10' length)
67007	2	Drain plug
69944	1	Strainer
244429	1	Fluid level gauge
360659	1	Cover plate
880085	1	Filler assembly
880093	As req'd	Slot cover assembly
880130	2	Bracket assembly
880550	As req'd	Model "55i" pump assembly