

LUBRICATOR
R.H. SPUR GEAR DRIVE
112.5:1 RATIO
1 GALLON RESERVOIR



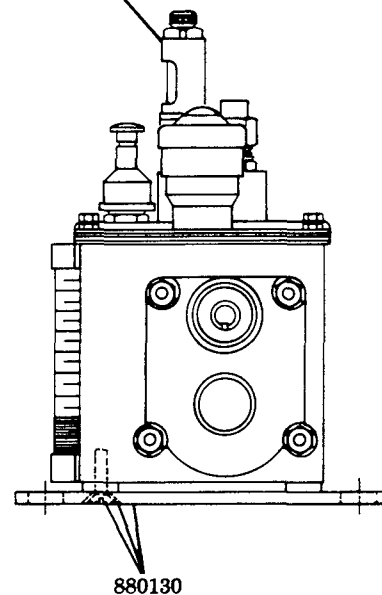
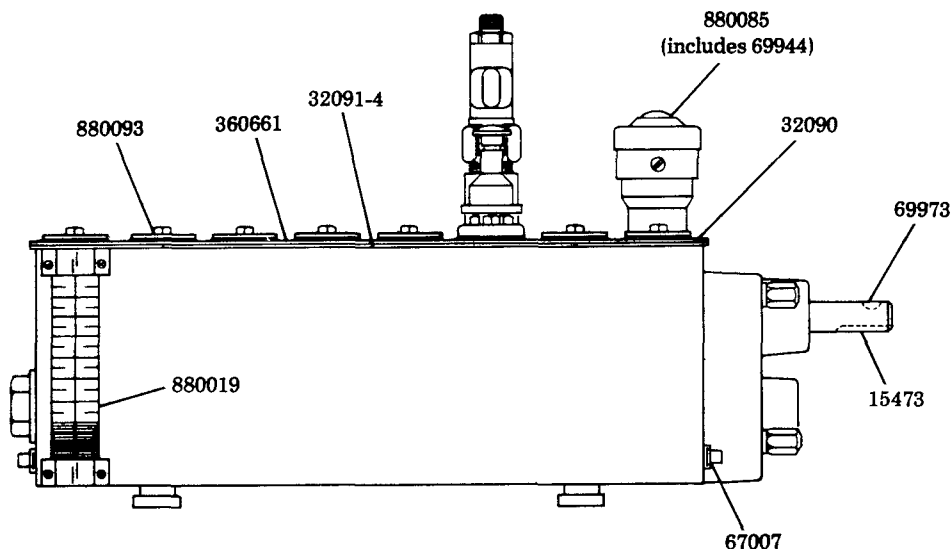
Models 800109 SERIES

Series "B"

Contains Buna-N Oil Seals.

34622 included with pumps,
 slot covers and filler.

880187
 Refer to
 Section M1
 Page 1 Series.



Drive Adaptation:
 Refer to Section M3
 Page 21 Series.

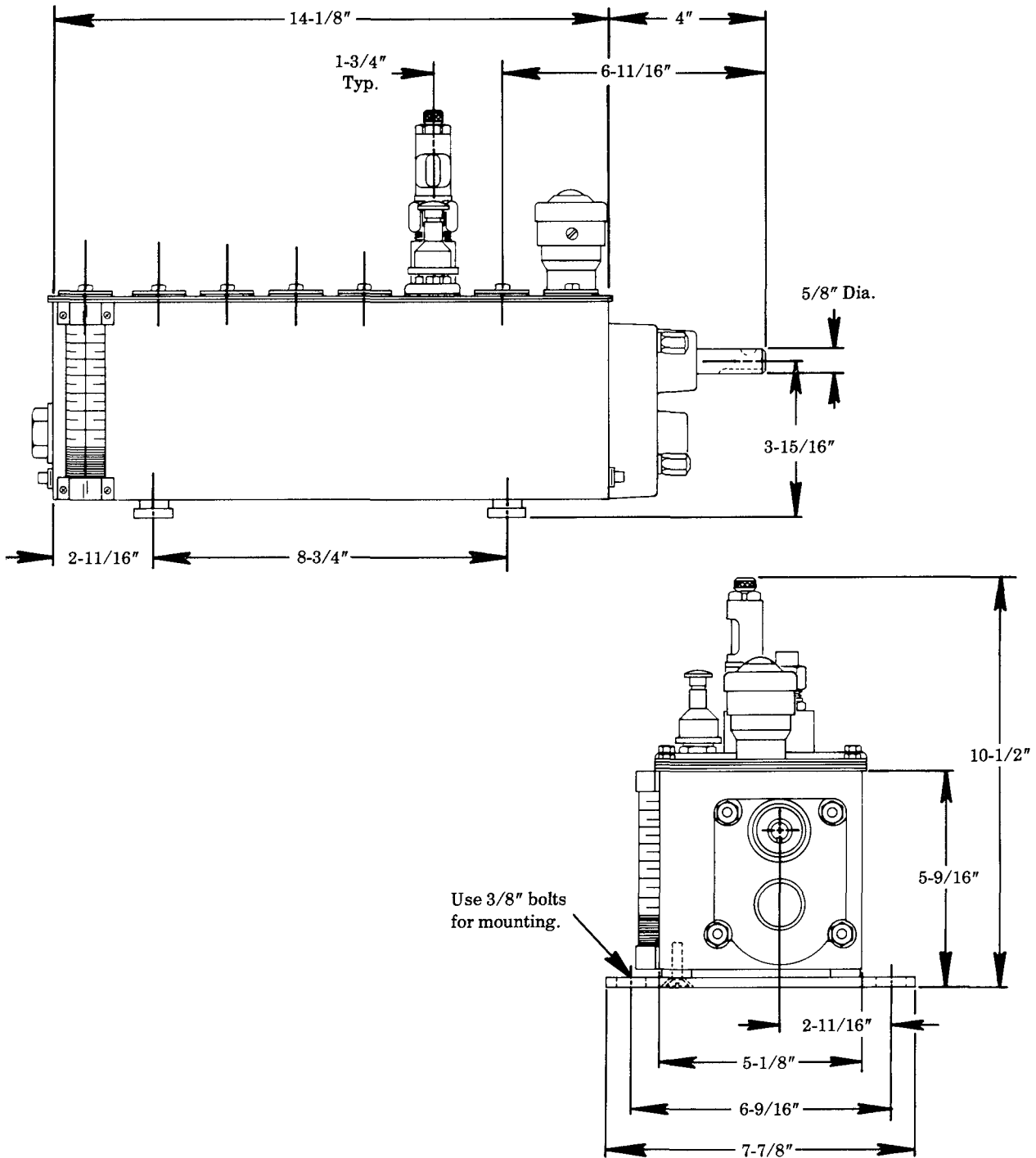
SERVICE PARTS

PART	QUAN.	DESCRIPTION
15473	1	Square key
32090	2	Cover gasket end
32091-4	2	Cover gasket strip
34622	As req'd	Gasket
67007	2	Drain plug
69944	1	Strainer
69973	1	#5 Woodruff key
360661	1	Cover plate
880019	1	Gauge glass assembly
880085	1	Filler assembly
880093	As req'd	Slot cover assembly
880130	2	Bracket assembly
880187	As req'd	Model "55" pump assembly

LINCOLN ST. LOUIS
 4010 GOODFELLOW BLVD • ST. LOUIS, MO 63120 • (314) 383 5900



SECTION - M2
PAGE - 11A



RETAIN THIS INFORMATION FOR FUTURE REFERENCE

When ordering replacement parts, list: Part Number, Description, Model Number, and Series Letter.

LINCOLN ST. LOUIS provides a Distributor Network that stocks equipment and replacement parts.