

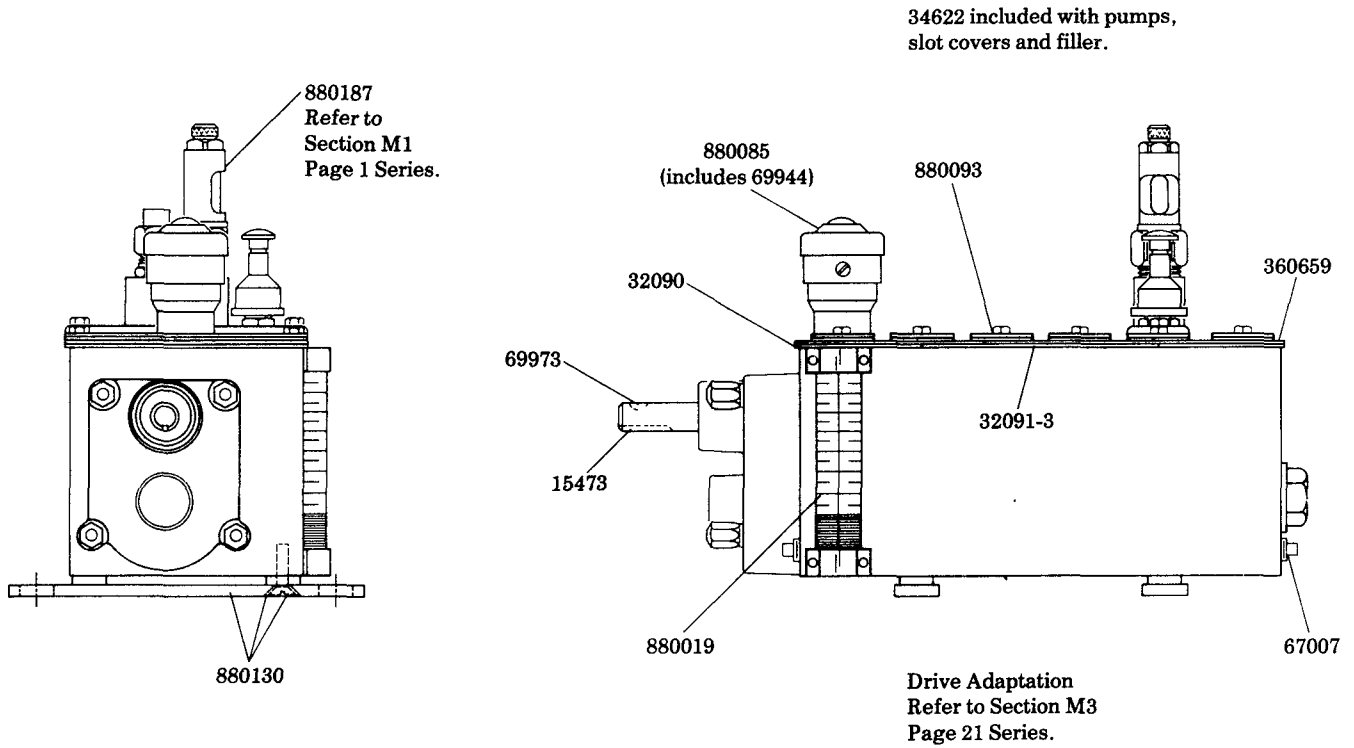
LUBRICATOR

L.H. SPUR GEAR DRIVE
112.5:1 RATIO
2 QT. RESERVOIR



Model 800143 SERIES

Series "C"



SERVICE PARTS

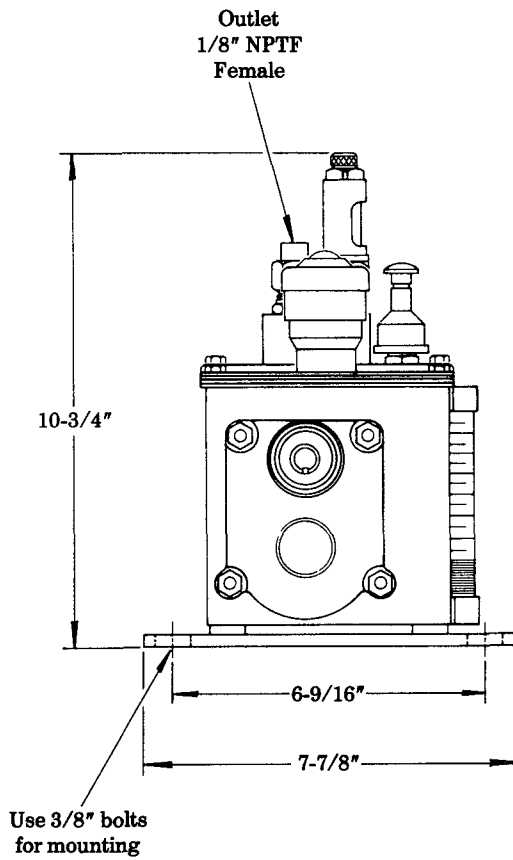
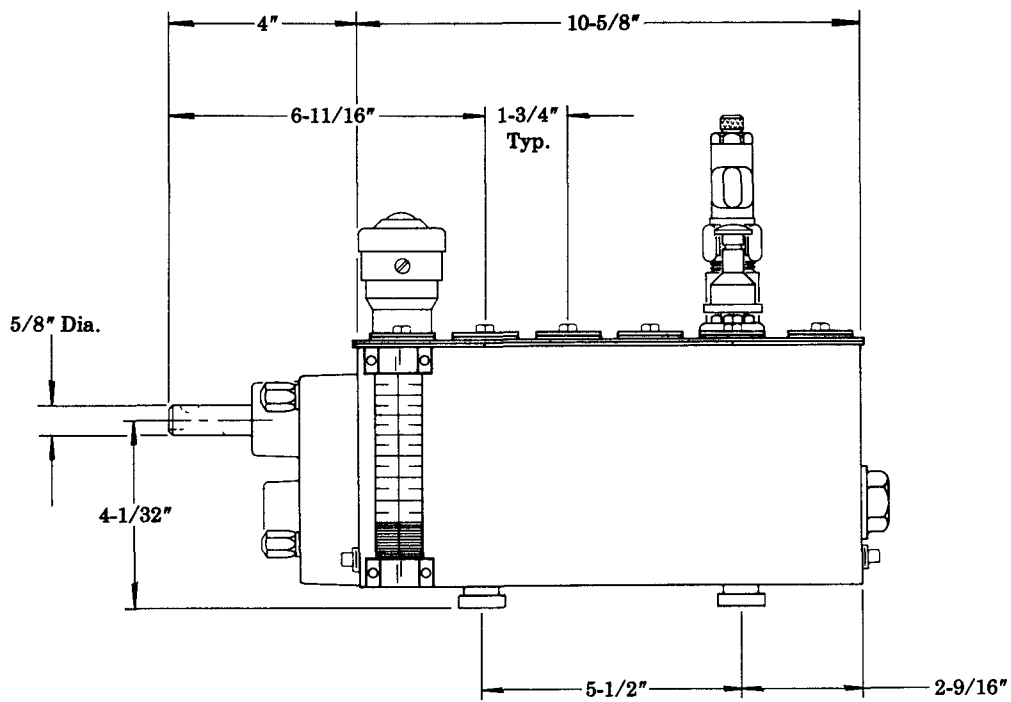
PART	QUAN.	DESCRIPTION
15473	1	Square key
32090	2	Cover gasket end
32091-3	2	Cover gasket strip
34622	As req'd.	Gasket
67007	2	Drain plug
69944	1	Strainer
69973	1	#5 Woodruff key
360659	1	Cover plate
880019	1	Gauge glass assembly
880085	1	Filler assembly
880093	As req'd.	Slot cover assembly
880130	2	Bracket assembly
880187	As req'd.	Model "55" pump assembly

LINCOLN ST. LOUIS
4010 GOODFELLOW BLVD. • ST LOUIS, MO 63120 • (314) 383-5900



A DIVISION OF
McNEIL
CORPORATION

SECTION -M2
PAGE -136B



RETAIN THIS INFORMATION FOR FUTURE REFERENCE

When ordering replacement parts, list: Part Number, Description, Model Number, and Series Letter.
LINCOLN ST. LOUIS provides a Distributor Network that stocks equipment and replacement parts.