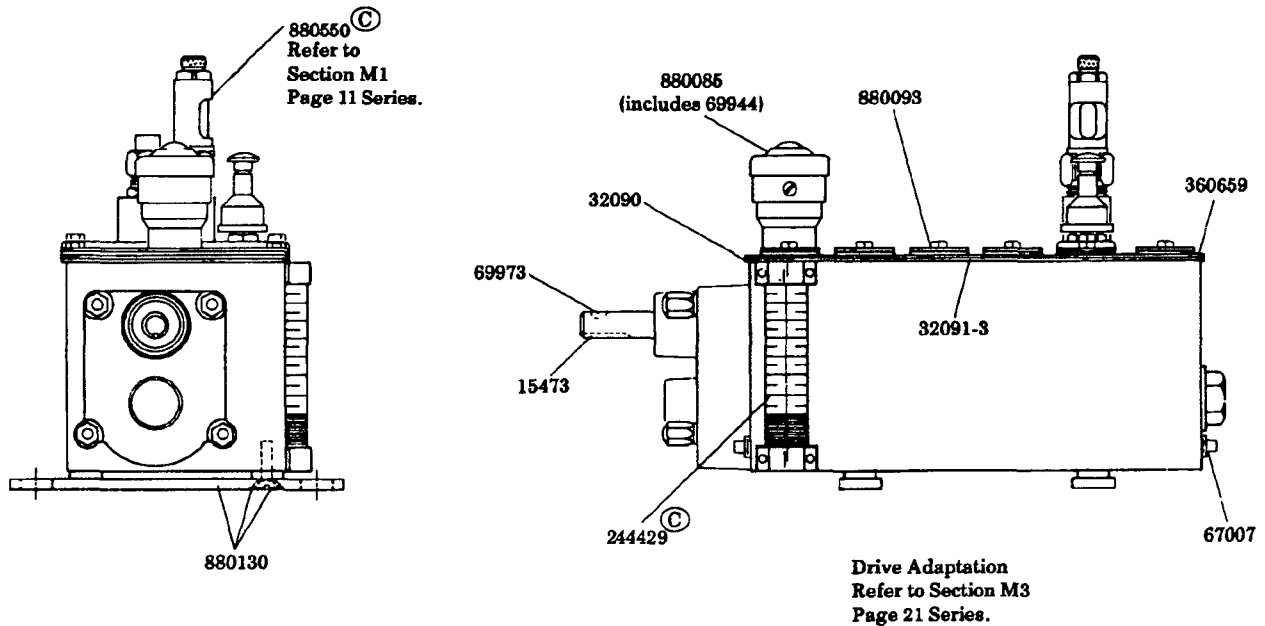


**L.H. SPUR GEAR DRIVE
112.5:1 RATIO
2 QT. RESERVOIR**

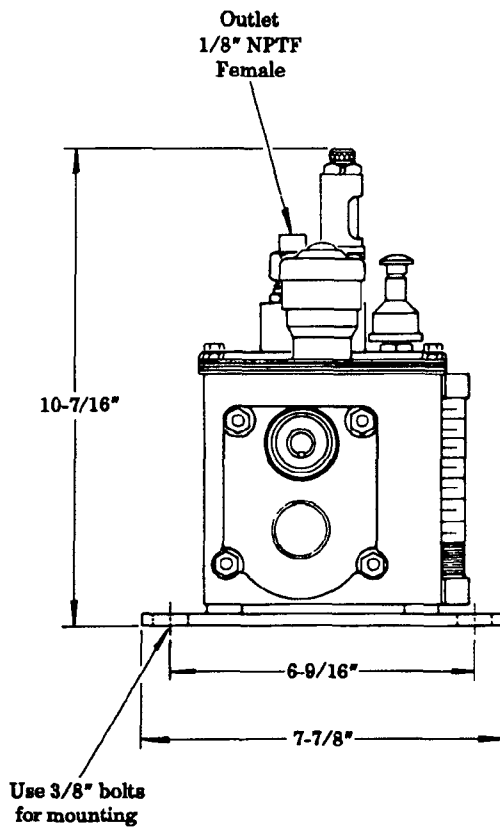
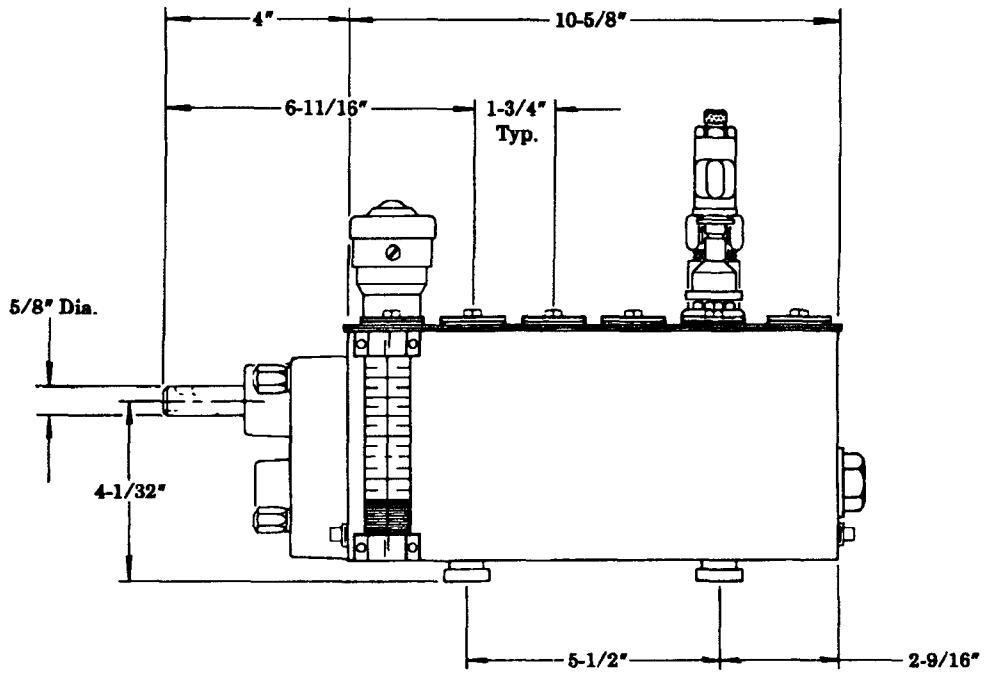


NOTE: Part numbers listed on this page are correct, although drawing may not accurately illustrate current production components.

SERVICE PARTS

Part	Qty.	Description
15473	1	Square key
32090	2	Cover gasket end
32091-3	2	Cover gasket strip
67007	2	Drain plug
69944	1	Strainer
69973	1	#5 Woodruff key
360659	1	Cover plate
244429	1	Fluid level gauge
880085	1	Filler assembly
880093	As req'd.	Slot cover assembly
880130	2	Bracket assembly
880550	As req'd.	Model "55i" pump assembly

© Indicates change



RETAIN THIS INFORMATION FOR FUTURE REFERENCE

When ordering replacement parts, list: Part Number, Description, Model Number, and Series Letter.

LINCOLN provides a Distributor Network that stocks equipment and replacement parts.