

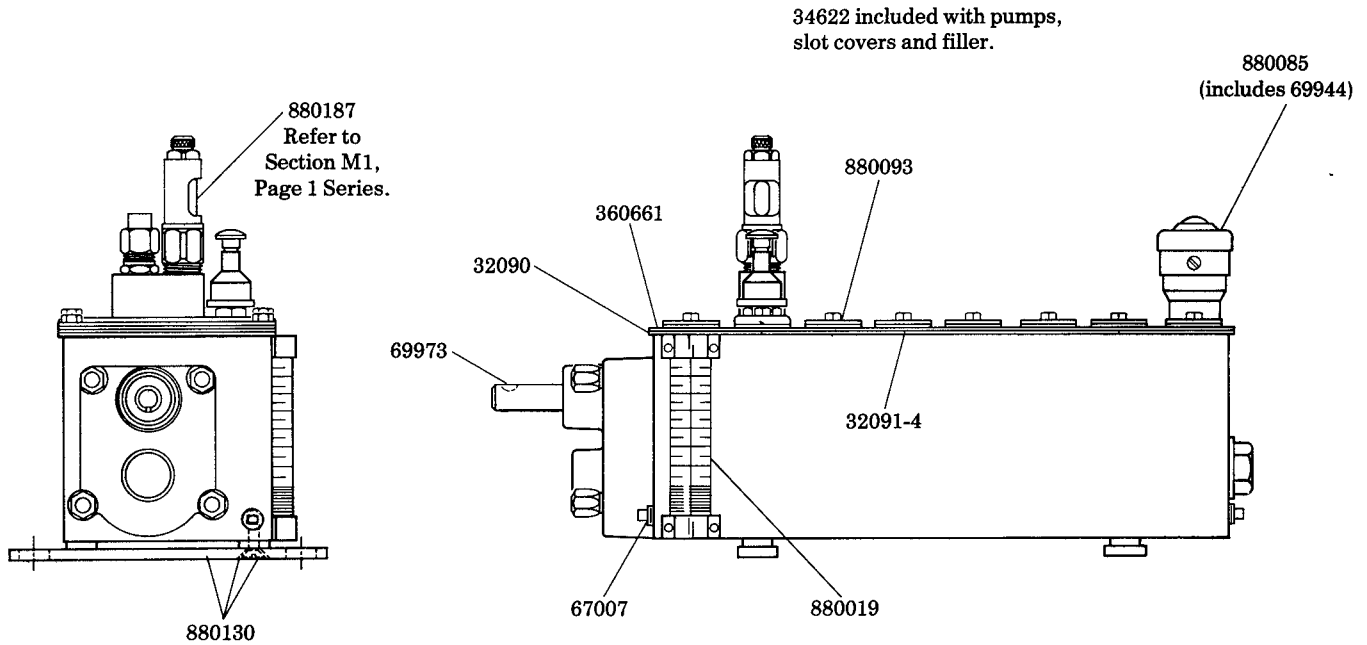
LUBRICATOR

L.H. SPUR GEAR DRIVE
112.5:1 RATIO - 1 GAL. RESERVOIR
INCLUDES BUNA-N OIL SEALS



Model 800156 SERIES

Series "C"



DRIVE ADAPTATION

Refer to Section M3,
Page 21 Series.

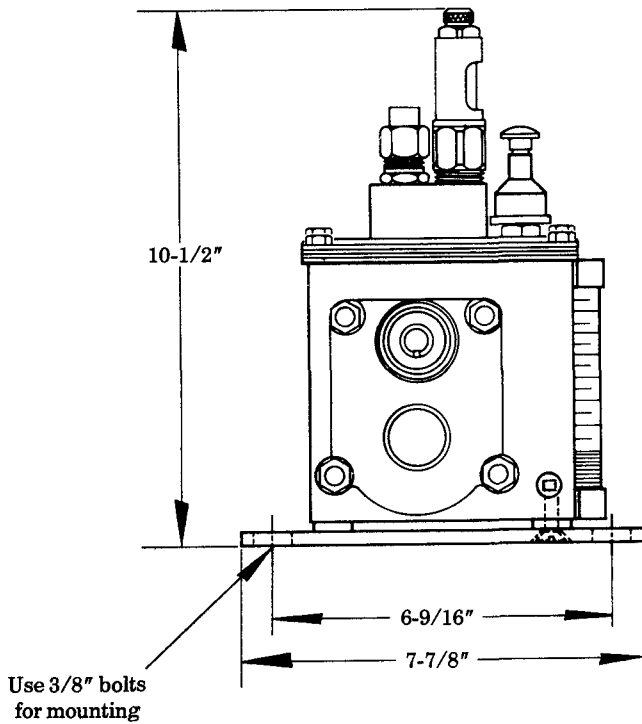
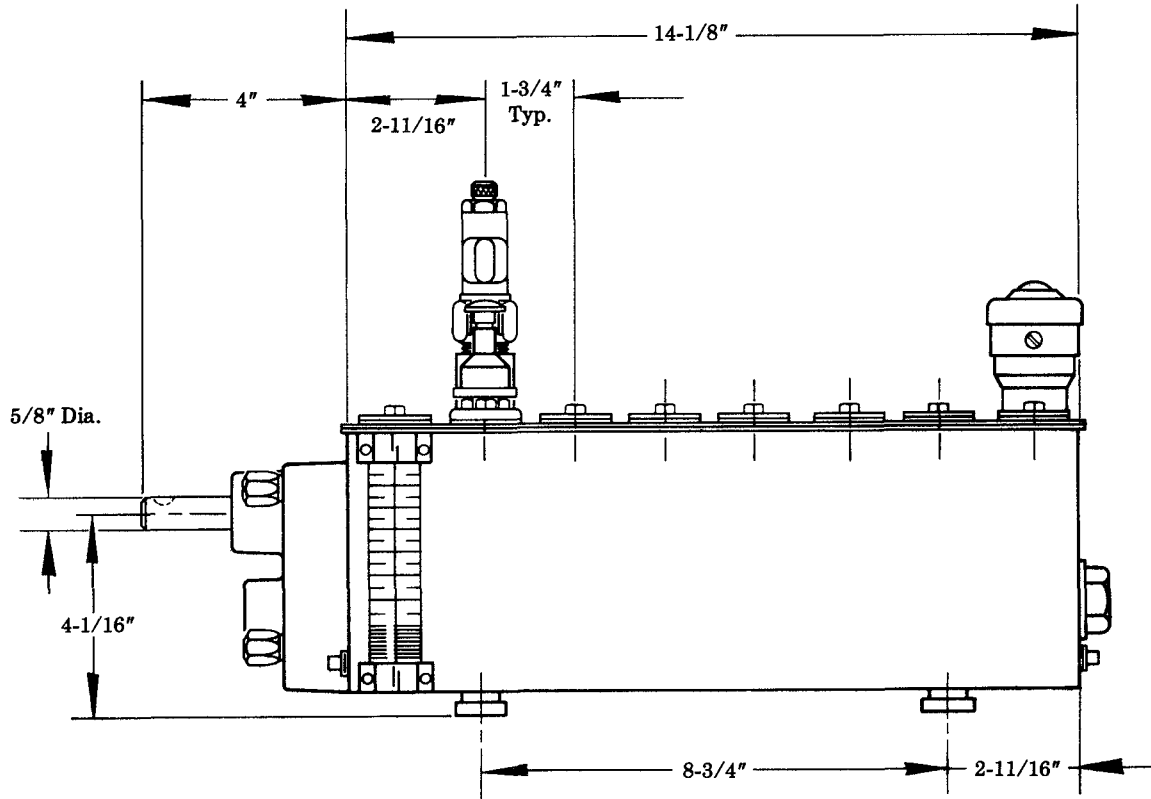
SERVICE PARTS

PART	QUAN.	DESCRIPTION
32090	2	Cover gasket ends
32091-4	2	Cover gasket strips
34622	As req'd.	Gasket
67007	2	Drain plug
69944	1	Strainer
69973	1	#5 Woodruff key
360661	1	Cover plate
880019	1	Gauge glass assembly
880085	1	Filler assembly
880093	As req'd.	Slot cover assembly
880130	2	Bracket assembly
880187	As req'd.	Model "55" pump assembly

LINCOLN ST. LOUIS
4010 GOODFELLOW BLVD • ST LOUIS, MO 63120 • (314) 383-5900



SECTION **-M2**
PAGE **-140B**



RETAIN THIS INFORMATION FOR FUTURE REFERENCE

When ordering replacement parts, list: Part Number, Description, Model Number, and Series Letter.
LINCOLN ST. LOUIS provides a Distributor Network that stocks equipment and replacement parts.