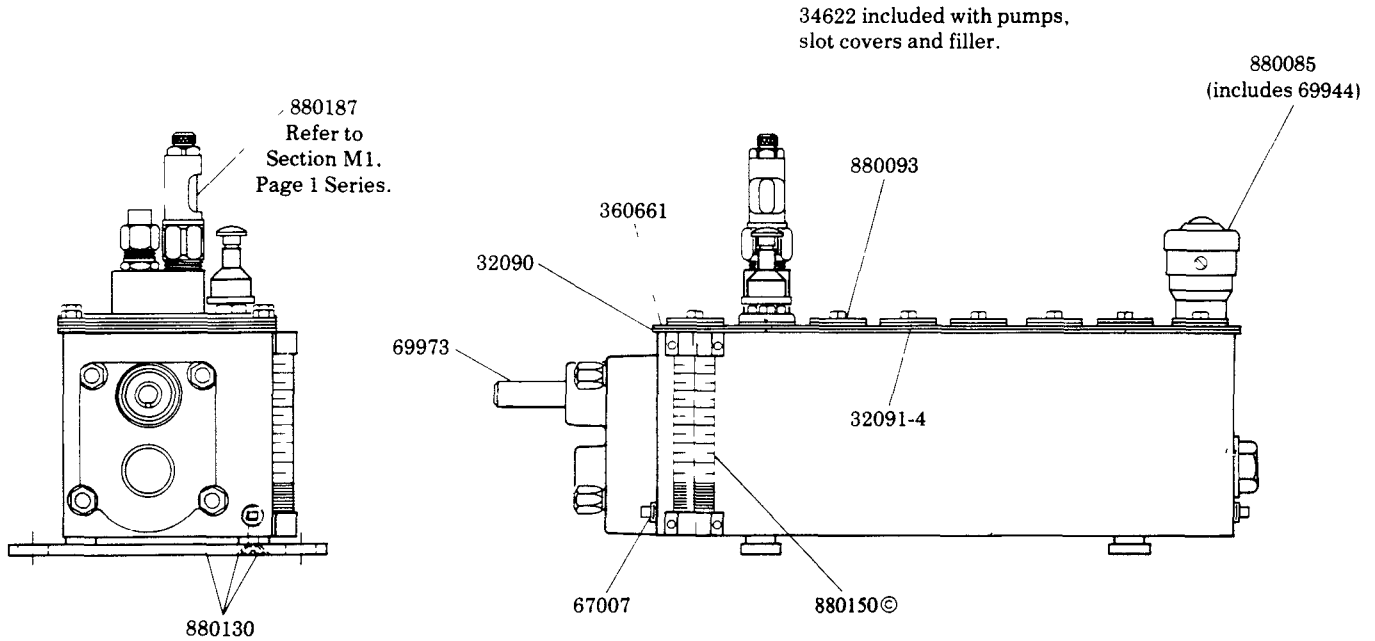


L.H. SPUR GEAR DRIVE  
112.5:1 RATIO - 1 GAL. RESERVOIR  
INCLUDES BUNA-N OIL SEALS



© Indicates Change

### DRIVE ADAPTATION

Refer to Section M3,  
Page 21 Series.

### SERVICE PARTS

PART	QUAN.	DESCRIPTION
32090	2	Cover gasket ends
32091-4	2	Cover gasket strips
34622	As req'd.	Gasket
67007	2	Drain plug
69944	1	Strainer
69973	1	#5 Woodruff key
360661	1	Cover plate
880085	1	Filler assembly
880093	As req'd.	Slot cover assembly
880130	2	Bracket assembly
880150	1	Gauge glass assembly
880187	As req'd.	Model "55" pump assembly

**LINCOLN**

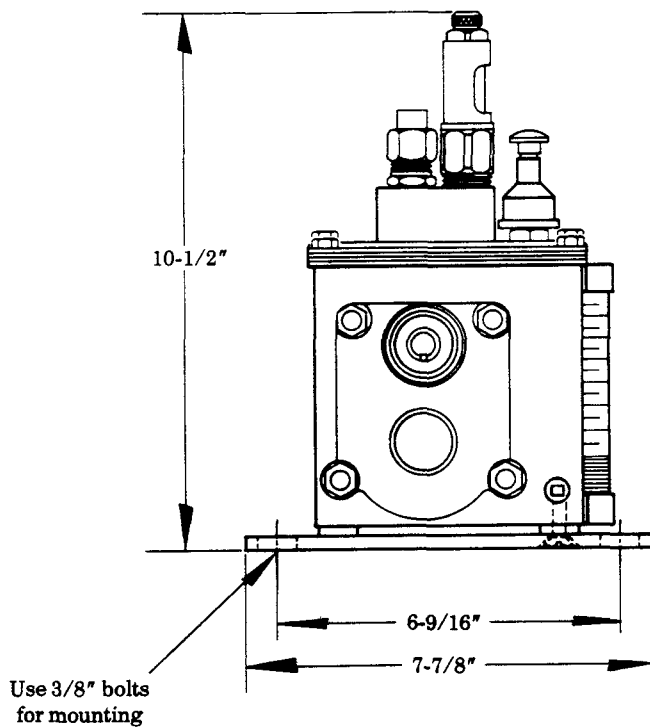
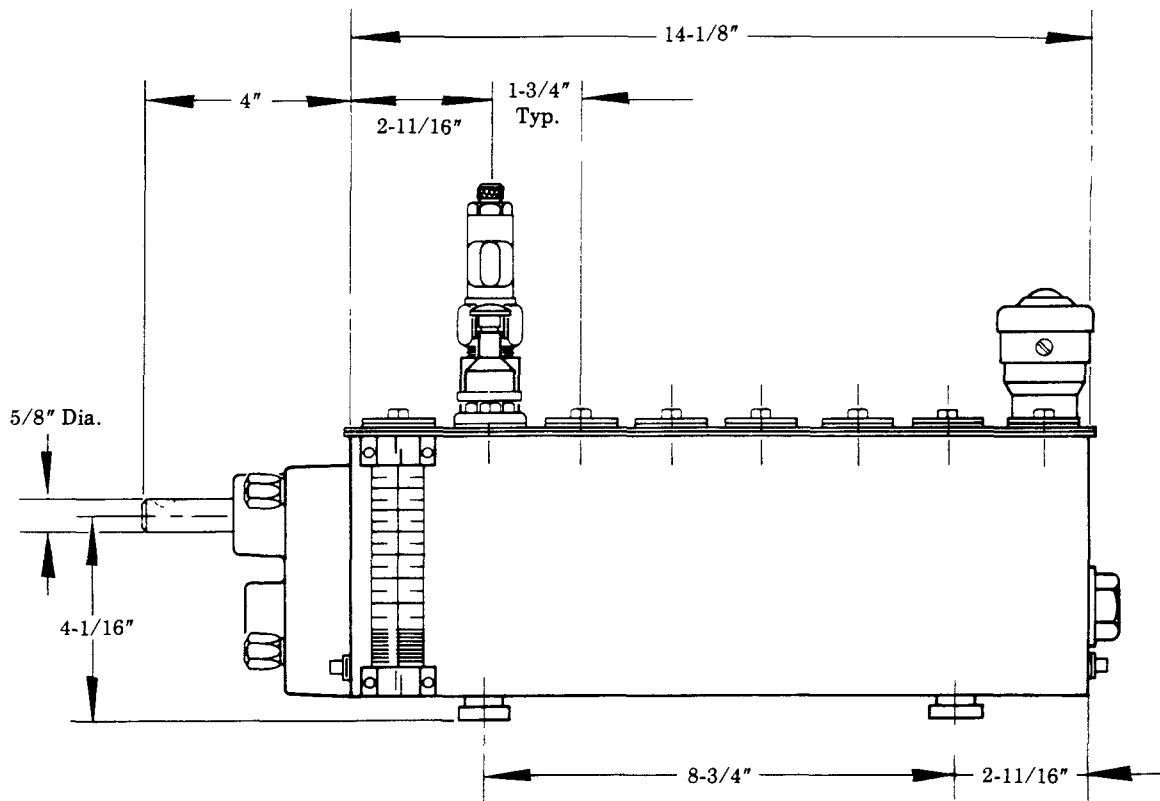
A PENTAIR COMPANY

One Lincoln Way  
St. Louis, Missouri 63120-1578  
(314) 679-4300

© Copyright 1991  
Printed in U.S.A.

SECTION - M2

PAGE - 140C



**RETAIN THIS INFORMATION FOR FUTURE REFERENCE**  
 When ordering replacement parts, list: Part Number, Description, Model Number, and Series Letter.  
 LINCOLN provides a Distributor Network that stocks equipment and replacement parts.