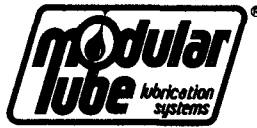


LUBRICATOR
REAR ROTARY DRIVE
56:1 RATIO - 1 QUART RESERVOIR

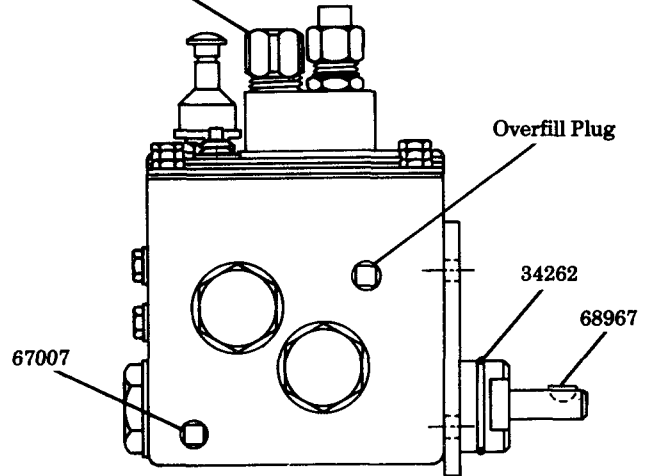
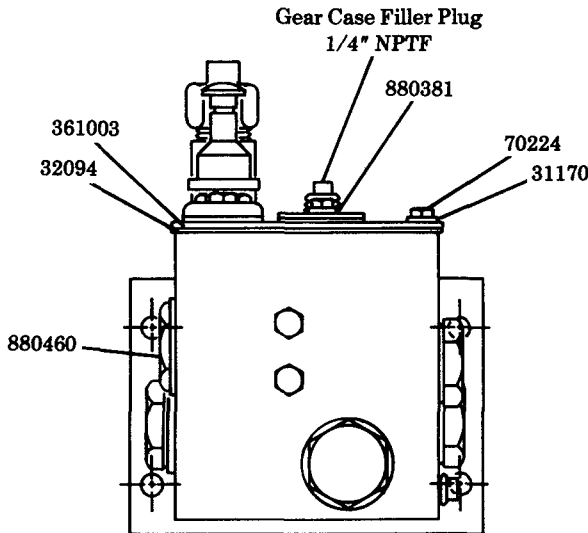


Models 800698 SERIES

Series "A"

34622 included with pump and slot cover assembly.

880453
 Refer to Section M1
 Page 9 Series.



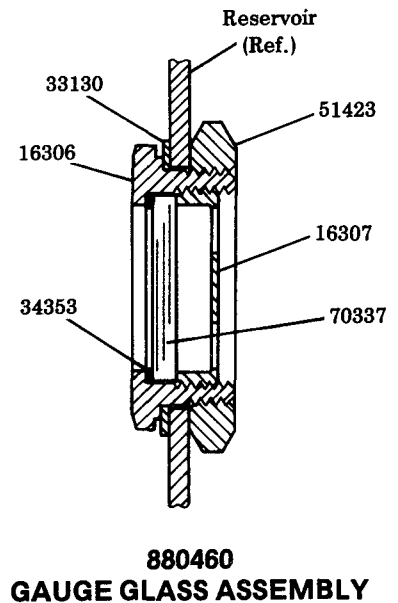
Fill gear case with 90 wt. gear oil.
 Change every 3 to 6 months.

DRIVE ADAPTATION:
 Refer to Section M3
 Page 38 Series.

Oil level should not rise above level indicated in Gauge Glass Assembly.
 Drain through Overfill Plug.

SERVICE PARTS

PART	QUAN.	DESCRIPTION
16306	1	Gauge glass body
16307	1	Gauge glass plug
31170	2	Washer
32094	1	Cover gasket
33130	1	Gasket
34262	1	O-ring
34353	1	O-ring
34622	As req'd	Gasket
51423	1	Nut
67007	3	Drain plug
68967	1	#1 Woodruff key
70224	2	Screw
70337	1	Gauge glass disk
361003	1	Cover plate
880381	1	Slot cover assembly
880453	1	Model "55" pump (pressurized suction)
880460	1	Gauge glass assembly

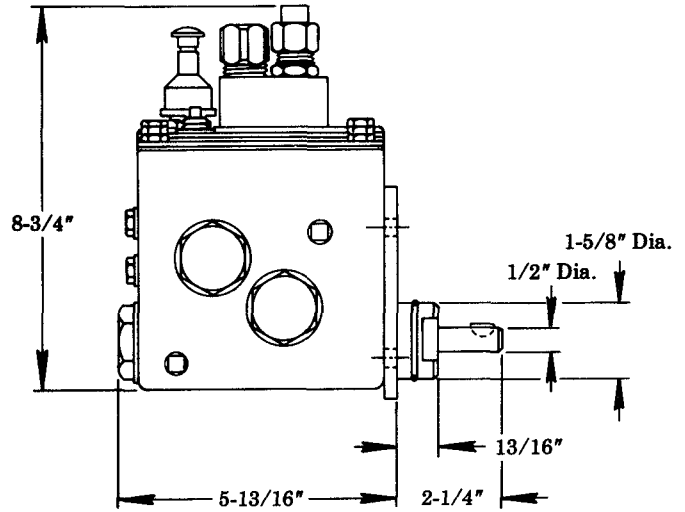
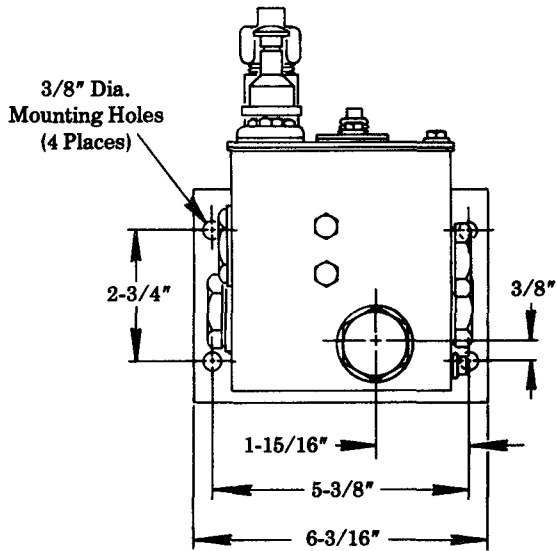


LINCOLN ST. LOUIS
 4010 GOODFELLOW BLVD. • ST LOUIS, MO. 63120 • (314) 383-5900



A DIVISION OF
McNEIL
 CORPORATION

SECTION - M2
PAGE - 151



RETAIN THIS INFORMATION FOR FUTURE REFERENCE

When ordering replacement parts, list: Part Number, Description, Model Number, and Series Letter.
 LINCOLN ST. LOUIS provides a Distributor Network that stocks equipment and replacement parts.