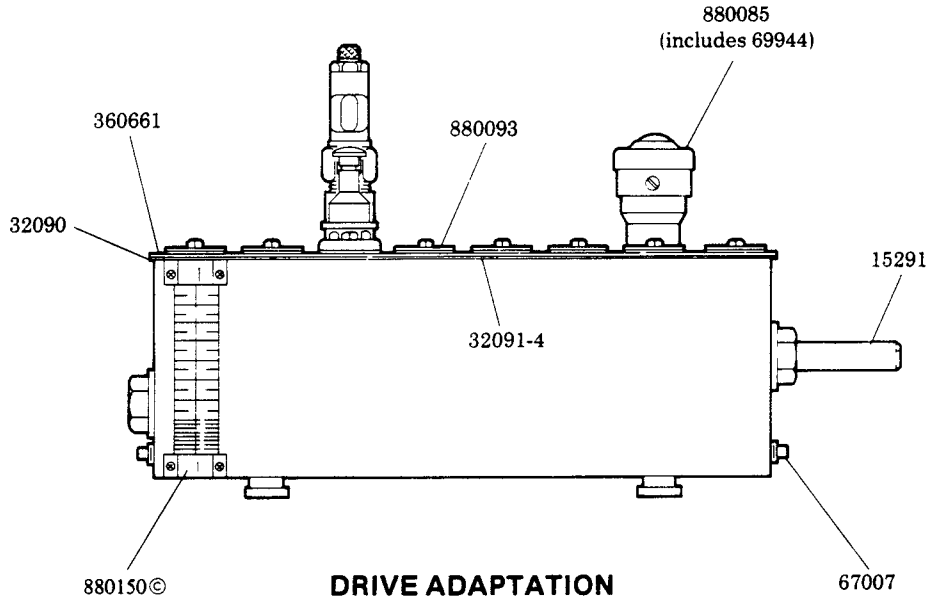


**R.H. END DRIVE - C.C.W. ROTATION
117:1 RATIO - 1 GAL. RESERVOIR
INCLUDES BUNA-N OIL SEALS**

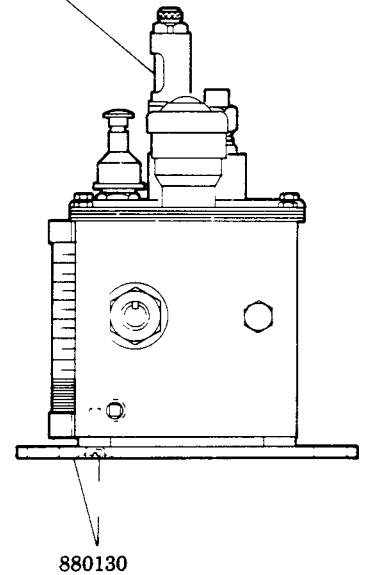
34622 included with pumps,
slot cover and filler.



DRIVE ADAPTATION

Refer to Section M3
Page 37 Series

880187
Refer to
Section M1
Page 1 Series



© Indicates Change

SERVICE PARTS

PART	QUAN.	DESCRIPTION
15291	1	Square key
32090	2	Cover gasket end
32091-4	2	Cover gasket strip
34622	As req'd.	Gasket
67007	2	Drain plug
69944	1	Strainer
360661	1	Cover plate
880085	1	Filler assembly
880093	As req'd.	Slot cover assembly
880130	2	Bracket assembly
880150	1	Gauge glass assembly
880187	As req'd.	Model "55" pump assembly

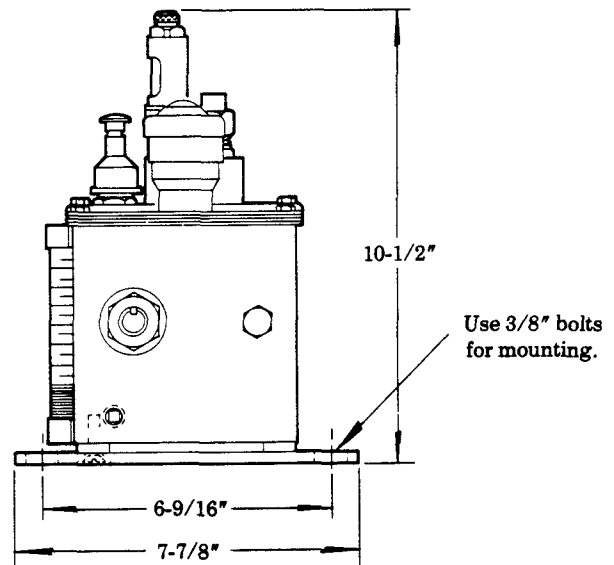
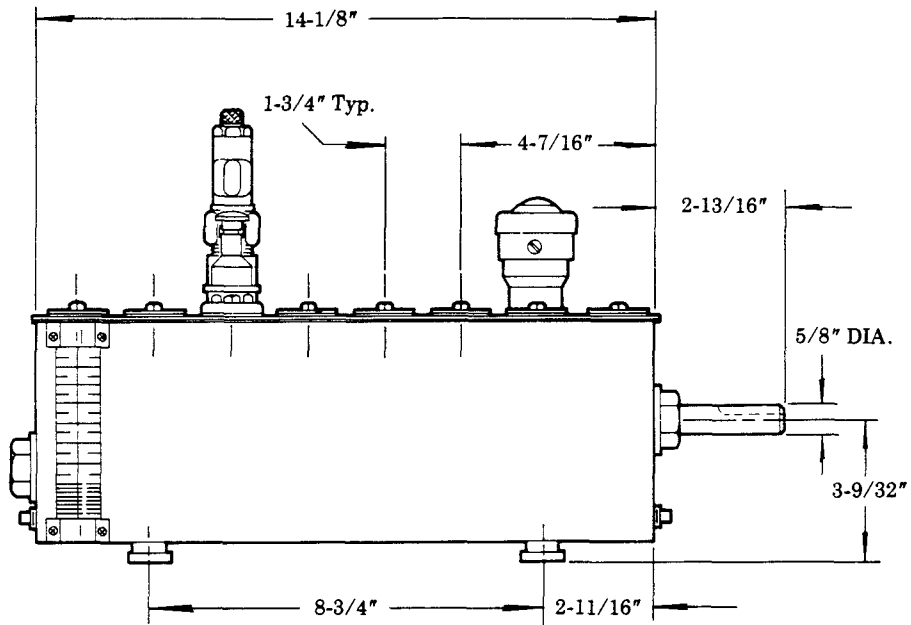
LINCOLN

A PENTAIR COMPANY

One Lincoln Way
St. Louis, Missouri 63120-1578
(314) 679-4300

© Copyright 1991
Printed in U.S.A.

**SECTION - M2
PAGE - 155A**



RETAIN THIS INFORMATION FOR FUTURE REFERENCE

When ordering replacement parts, list: Part Number, Description, Model Number, and Series Letter.

LINCOLN provides a Distributor Network that stocks equipment and replacement parts.