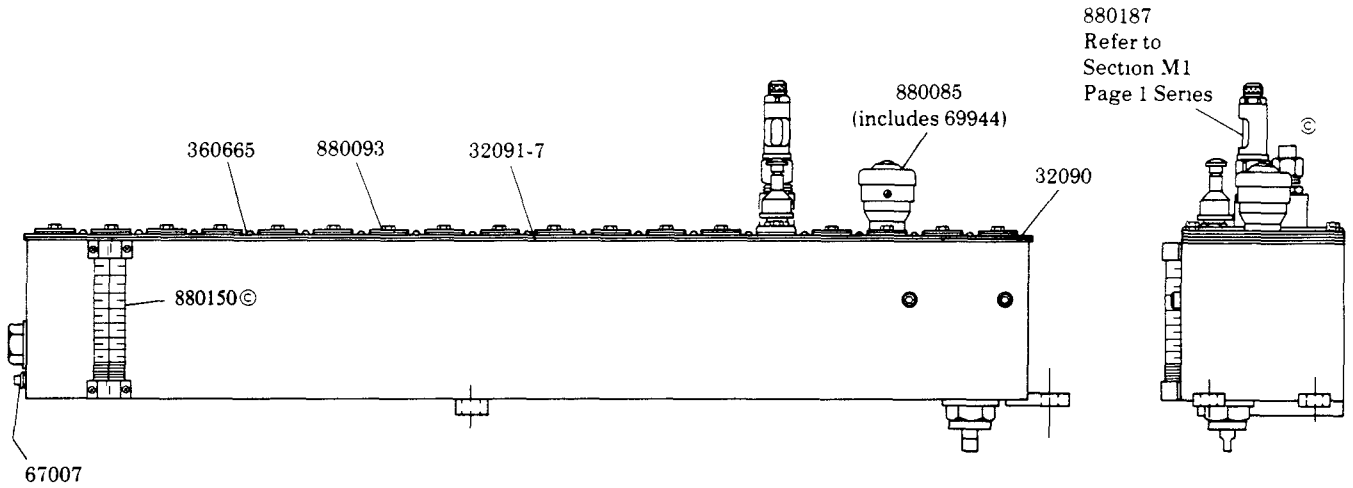


R.H. BOTTOM VERTICAL DRIVE
350:1 RATIO - 2.5 GALLON RESERVOIR
CONTAINS BUNA-N OIL SEALS

34622 included with pumps,
slot covers and filler.



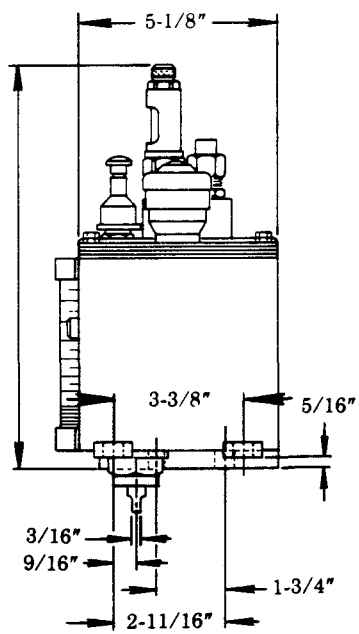
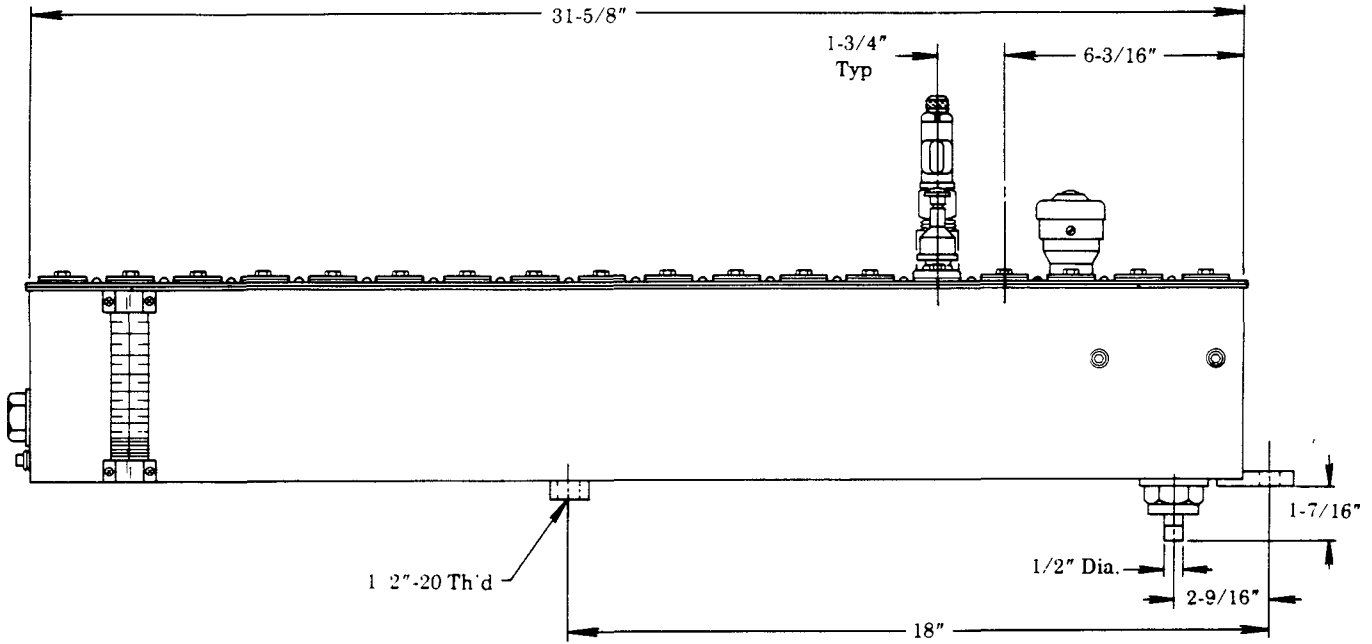
880187
Refer to
Section M1
Page 1 Series

© Indicates Change

DRIVE ADAPTATION:
Refer to Section M3
Page 5 Series.

SERVICE PARTS

PART	QUAN.	DESCRIPTION
32090	2	Cover gasket end
32091-7	2	Cover gasket strip
34622	As req'd	Gasket
67007	1	Drain plug
69944	1	Strainer
360665	1	Cover plate
880085	1	Filler assembly
880093	As req'd	Slot cover assembly
880150	1	Gauge glass assembly
880187	As req'd	Model "55" pump assembly



RETAIN THIS INFORMATION FOR FUTURE REFERENCE

When ordering replacement parts, list: Part Number, Description, Model Number, and Series Letter.

LINCOLN provides a Distributor Network that stocks equipment and replacement parts.