

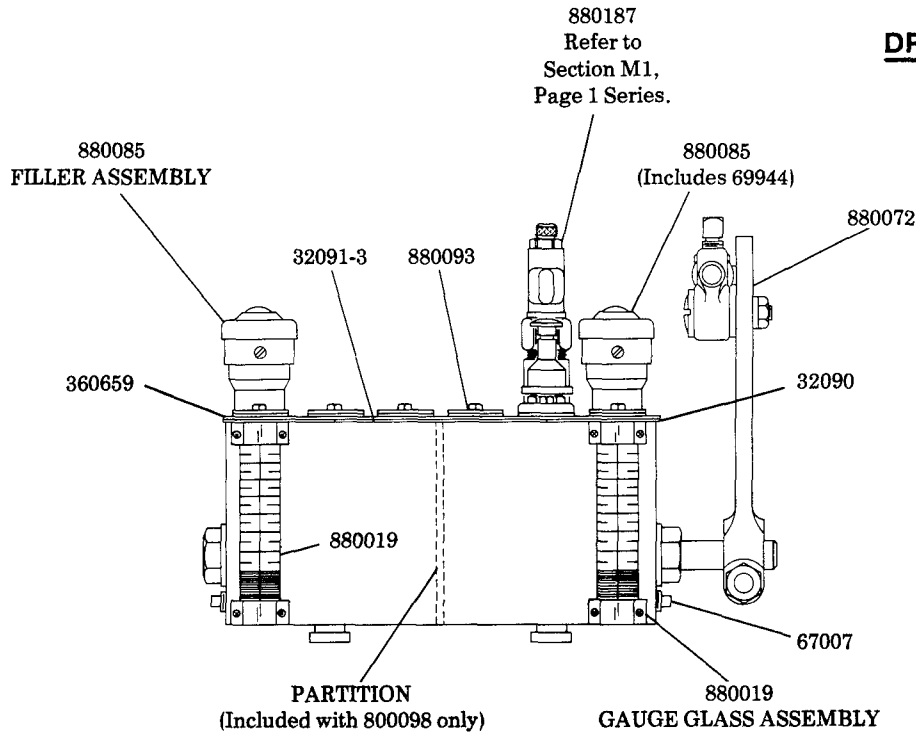
# LUBRICATOR

R.H. INTERNAL RATCHET DRIVE  
2 QT. RESERVOIR - CLOCKWISE ROTATION  
INCLUDES BUNA-N OIL SEALS



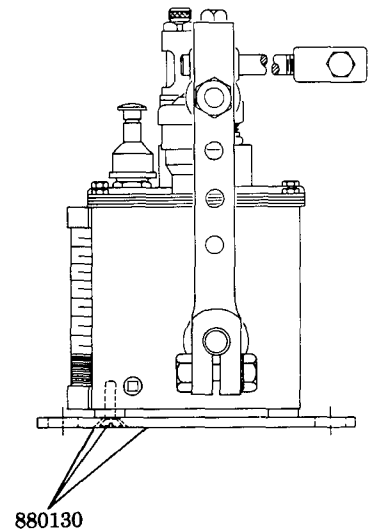
Models 800098  
800118 SERIES

Series "B"



### DRIVE ADAPTATION

Refer to Section M3,  
Page 31 Series.



34622 included with pumps,  
slot covers and filler.

### SERVICE PARTS

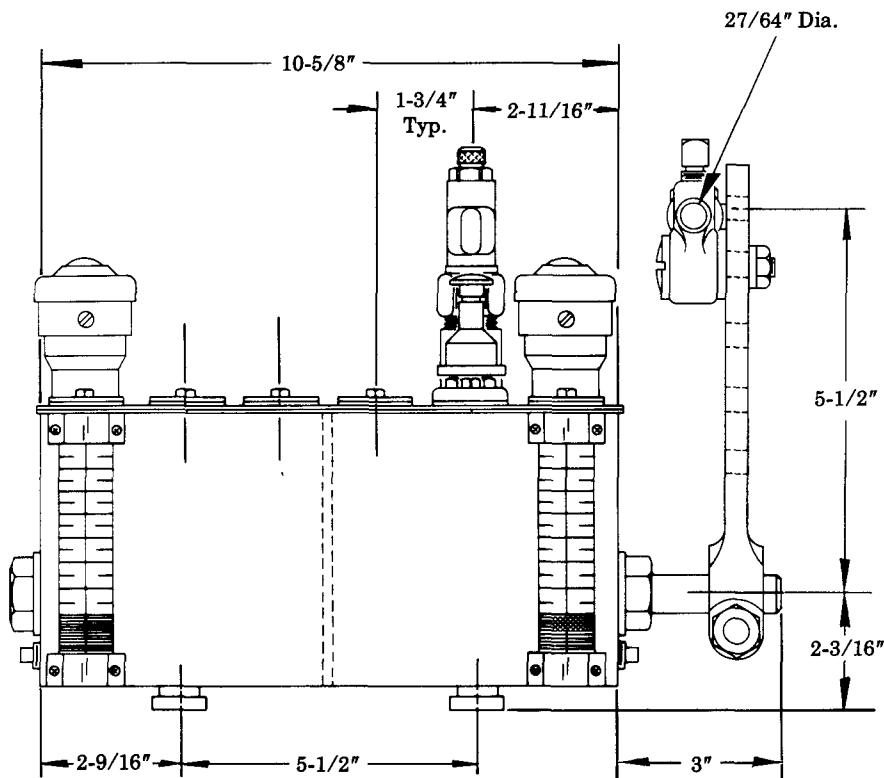
PART	QUAN.	DESCRIPTION
32090	2	Cover gasket end
32091-3	2	Cover gasket strip
34622	As req'd.	Gasket
67007	2	Drain plug
69944	1	Strainer
360659	1	Cover plate
880019	1	Gauge glass assembly
880072	1	Lever & clamp assembly
880085	1	Filler assembly
880098	As req'd.	Slot cover assembly
880130	2	Bracket assembly
880187	As req'd.	Model "55" pump assembly

MODEL	880019 GAUGE GLASS ASSEMBLY	880085 FILLER ASSEMBLY
800098	1 Required	1 Required
800118	1 Required	1 Required

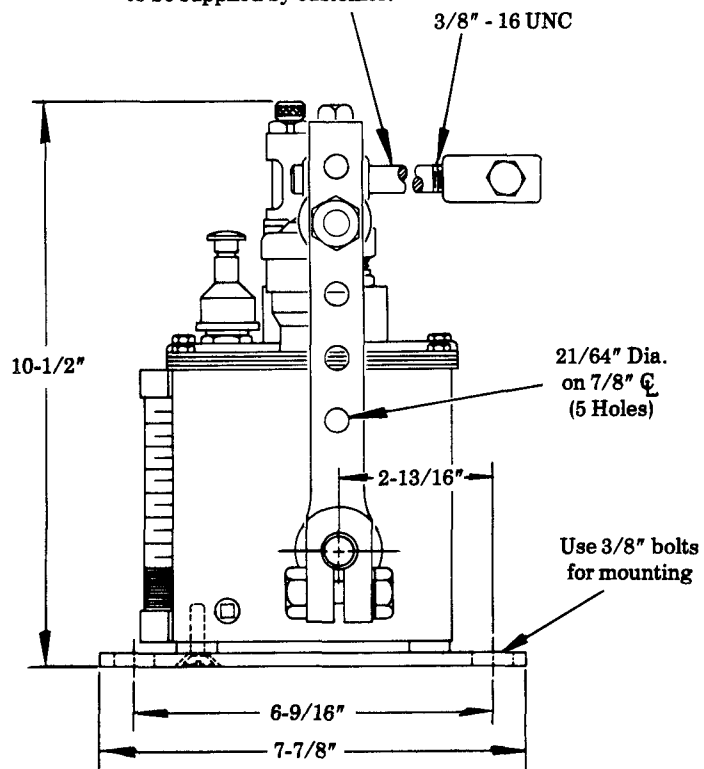
LINCOLN ST. LOUIS  
4010 GOODFELLOW BLVD • ST LOUIS, MO. 63120 • (314) 383-5900



SECTION - M2  
PAGE - 164



Connecting rod linkage  
to be supplied by customer.



**RETAIN THIS INFORMATION FOR FUTURE REFERENCE**

When ordering replacement parts, list: Part Number, Description, Model Number, and Series Letter.  
**LINCOLN ST. LOUIS** provides a Distributor Network that stocks equipment and replacement parts.