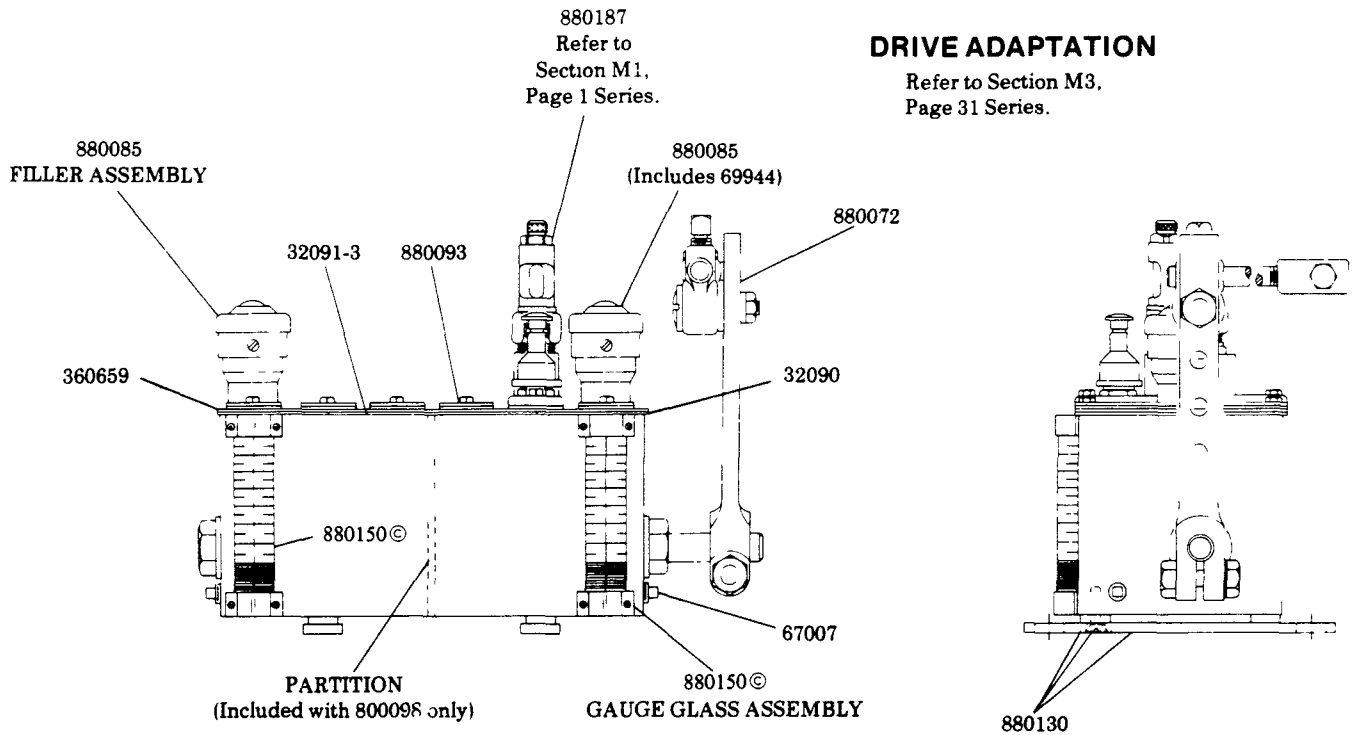


R. H. INTERNAL RATCHET DRIVE  
2 QT. RESERVOIR - CLOCKWISE ROTATION  
INCLUDES BUNA-N OIL SEALS

### DRIVE ADAPTATION

Refer to Section M3,  
Page 31 Series.

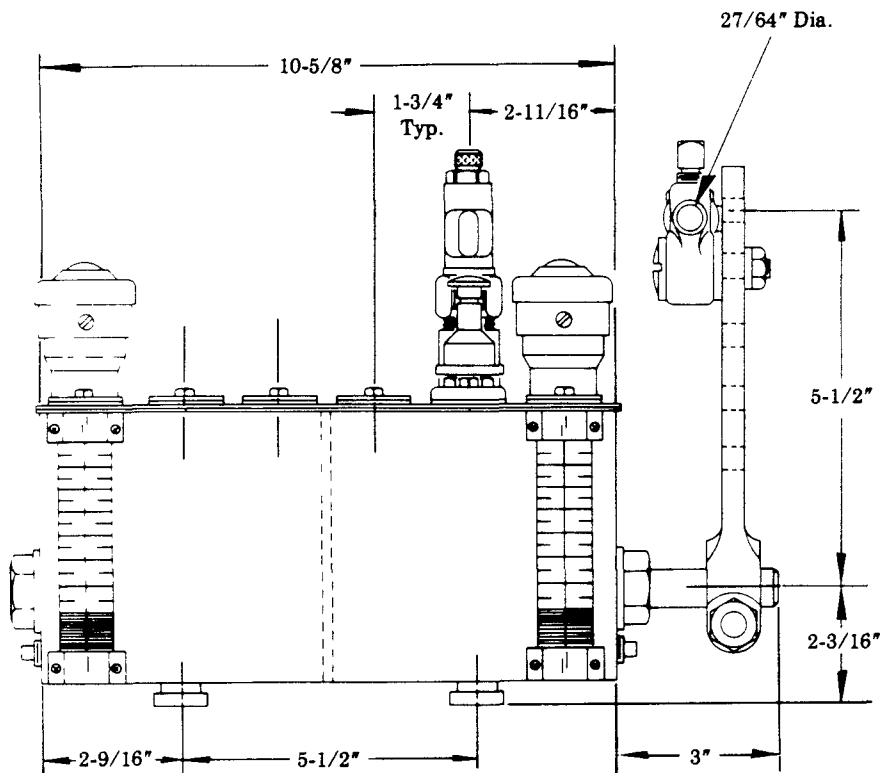


34622 included with pumps,  
slot covers and filler.

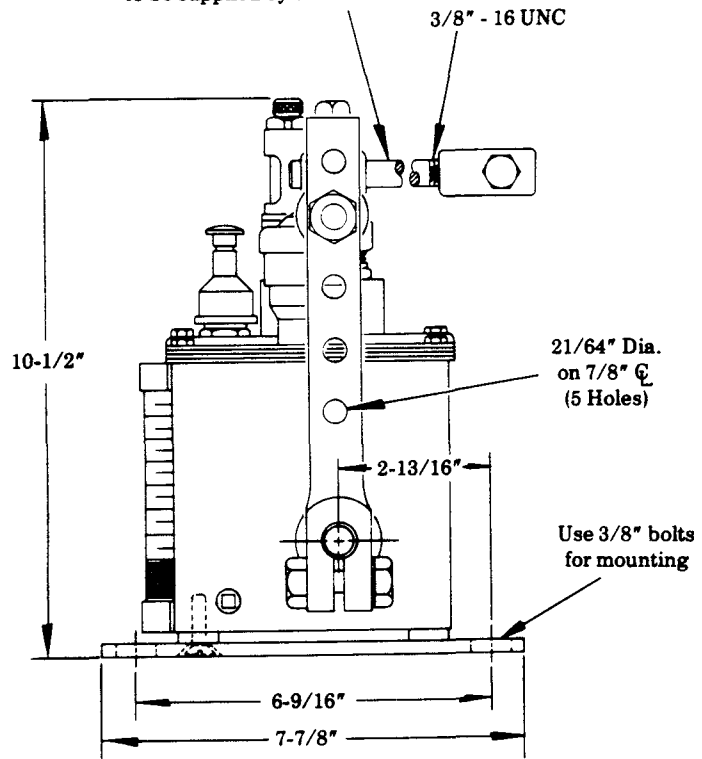
© Indicates Change

### SERVICE PARTS

Part	Qty.	Description
32090	2	Cover gasket end
32091-3	2	Cover gasket strip
34622	As req'd.	Gasket
67007	2	Drain plug
69944	1	Strainer
360659	1	Cover plate
880072	1	Lever & clamp assembly
880085	As req'd.	Filler assembly
880093	As req'd.	Slot cover assembly
880130	2	Bracket assembly
880150	As req'd.	Gauge glass assembly
880187	As req'd.	Model "55" pump assembly



Connecting rod linkage  
to be supplied by customer.



**RETAIN THIS INFORMATION FOR FUTURE REFERENCE**

When ordering replacement parts, list: Part Number, Description, Model Number, and Series Letter.

LINCOLN provides a Distributor Network that stocks equipment and replacement parts.