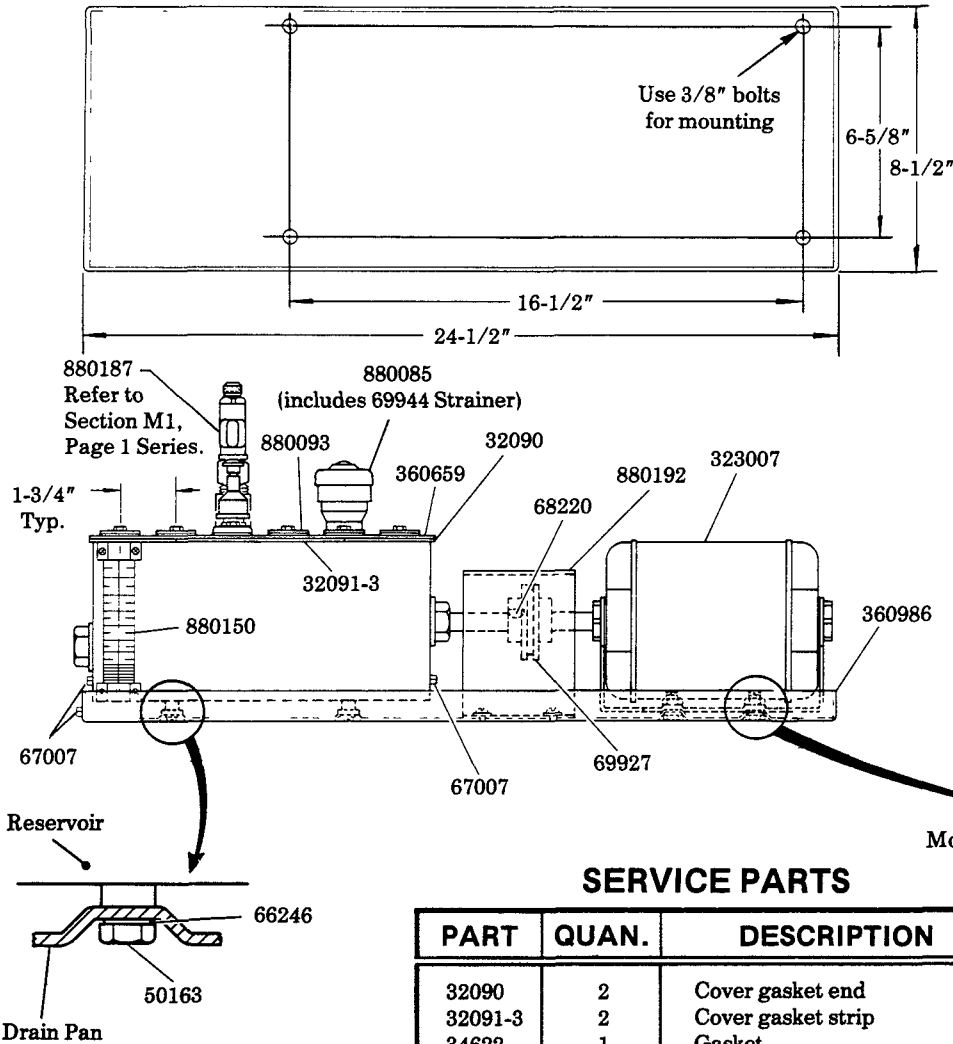


LUBRICATOR
R.H. END ROTARY DRIVE
2 QT. RESERVOIR
750:1 RATIO

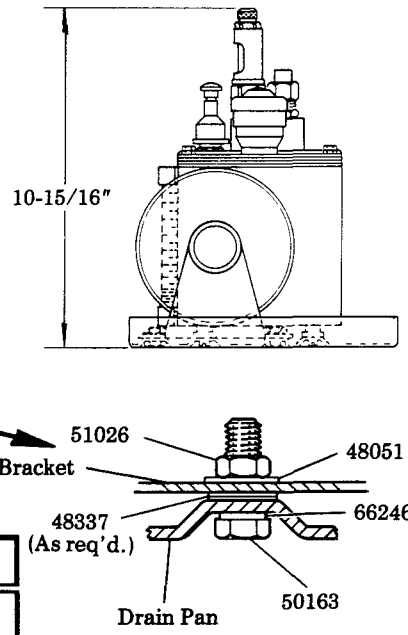


Model 800707



SERVICE PARTS

PART	QUAN.	DESCRIPTION
32090	2	Cover gasket end
32091-3	2	Cover gasket strip
34622	1	Gasket
48051	4	Flat washer
48337	8	Shim washer
50163	8	Screw
51026	4	Nut
66246	8	Lockwasher
67007	3	Drain plug
68220	1	#3 Woodruff key
69927	1	Coupling
69944	1	Strainer
323007	1	Electric motor
360659	1	Cover plate
360986	1	Drain pan
880085	1	Filler assembly
880093	As req'd.	Slot cover assembly
880150	1	Gauge glass assembly
880187	As req'd.	Model "55" pump assembly
880192	1	Coupling guard assembly



LINCOLN, One Lincoln Way
St. Louis, Missouri 63120-1578
(314) 679-4200 Customer Service, (314) 679-4300

SECTION -M2
PAGE -175