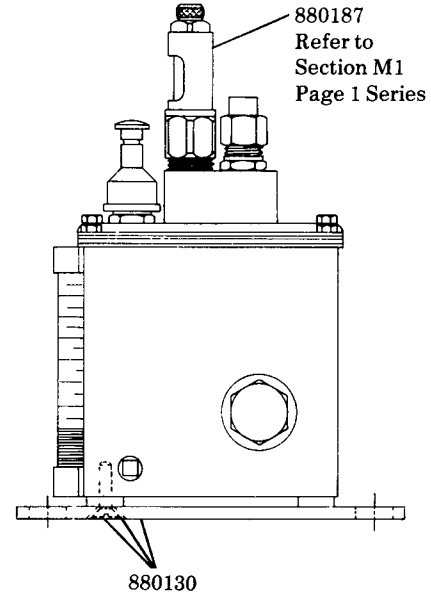
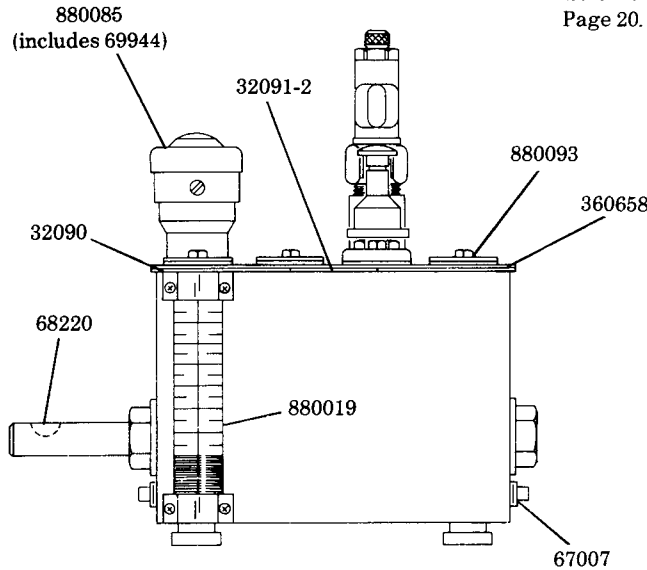


DRIVE ADAPTATION

For Cast Aluminum or  
 Steel Fabricated Reservoir  
 Refer to Section M3  
 Page 7.

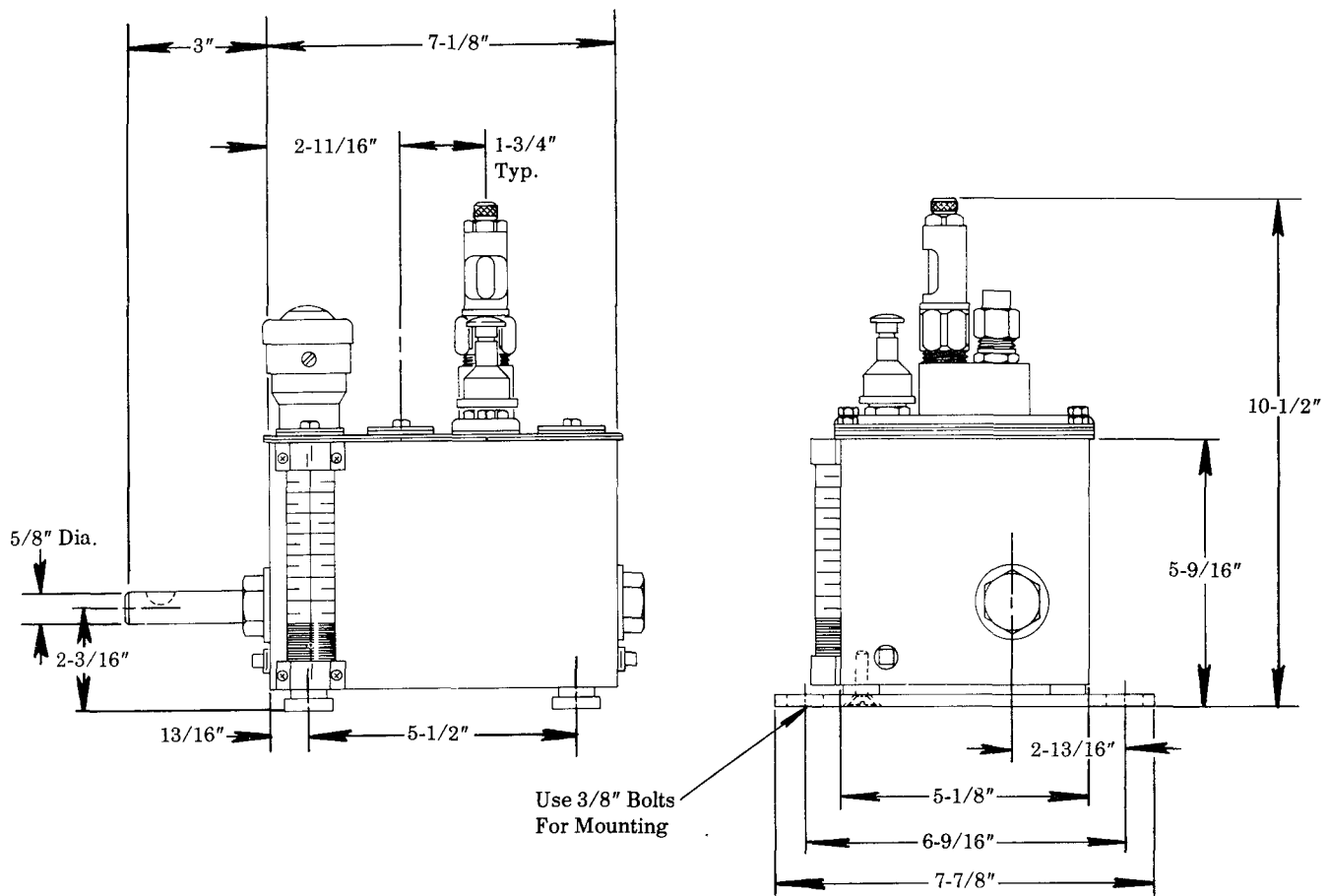
For Formed Steel Reservoir  
 Refer to Section M3  
 Page 20.



34622 included with pumps,  
 slot covers, and filler.

**SERVICE PARTS**

PART	QUAN.	DESCRIPTION
32090	2	Cover gasket end
32091-2	2	Cover gasket strip
34622	As req'd	Gasket
67007	2	Drain plug
68220	1	#3 Woodruff key
69944	1	Strainer
360658	1	Cover plate
880019	1	Gauge glass assembly
880085	1	Filler assembly
880093	As req'd	Slot cover assembly
880130	2	Bracket assembly
880187	As req'd	Model "55" pump assembly



**RETAIN THIS INFORMATION FOR FUTURE REFERENCE**

When ordering replacement parts, list: Part Number, Description, Model Number, and Series Letter.

LINCOLN ST. LOUIS provides a Distributor Network that stocks equipment and replacement parts.