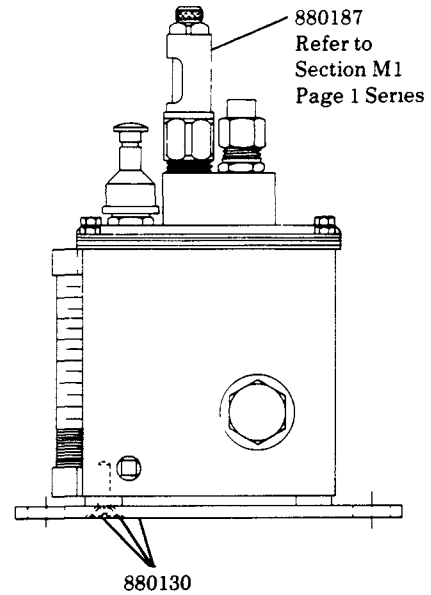
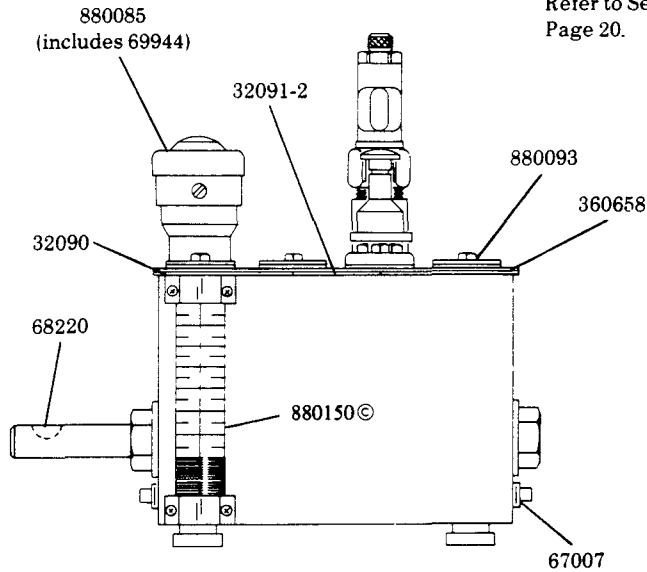


**L.H. END DRIVE, 37.5:1 RATIO
3 PINT RESERVOIR**

DRIVE ADAPTATION

For Cast Aluminum or
Steel Fabricated Reservoir
Refer to Section M3
Page 7
For Formed Steel Reservoir
Refer to Section M3
Page 20.

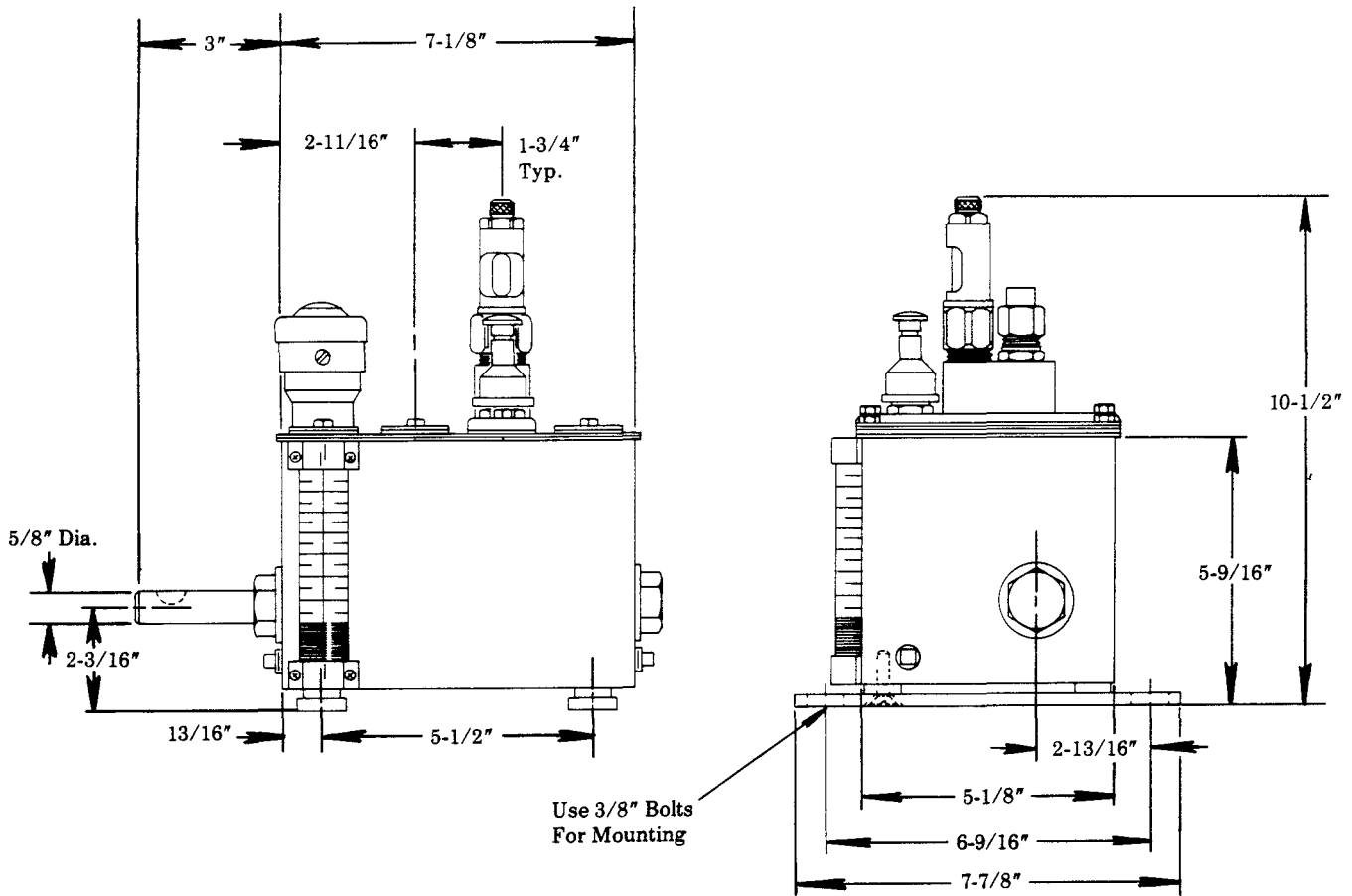


34622 included with pumps,
slot covers, and filler.

© Indicates Change

SERVICE PARTS

PART	QUAN.	DESCRIPTION
32090	2	Cover gasket end
32091-2	2	Cover gasket strip
34622	As req'd	Gasket
67007	2	Drain plug
68220	1	#3 Woodruff key
69944	1	Strainer
360658	1	Cover plate
880085	1	Filler assembly
880093	As req'd	Slot cover assembly
880130	2	Bracket assembly
880150	1	Gauge glass assembly
880187	As req'd	Model "55" pump assembly



RETAIN THIS INFORMATION FOR FUTURE REFERENCE

When ordering replacement parts, list: Part Number, Description, Model Number, and Series Letter.

LINCOLN provides a Distributor Network that stocks equipment and replacement parts.