

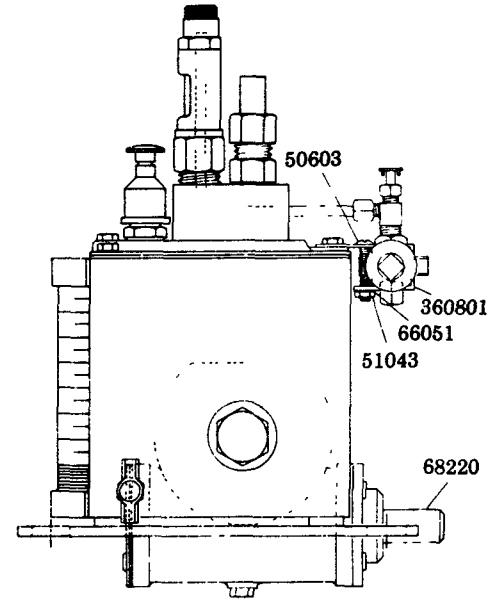
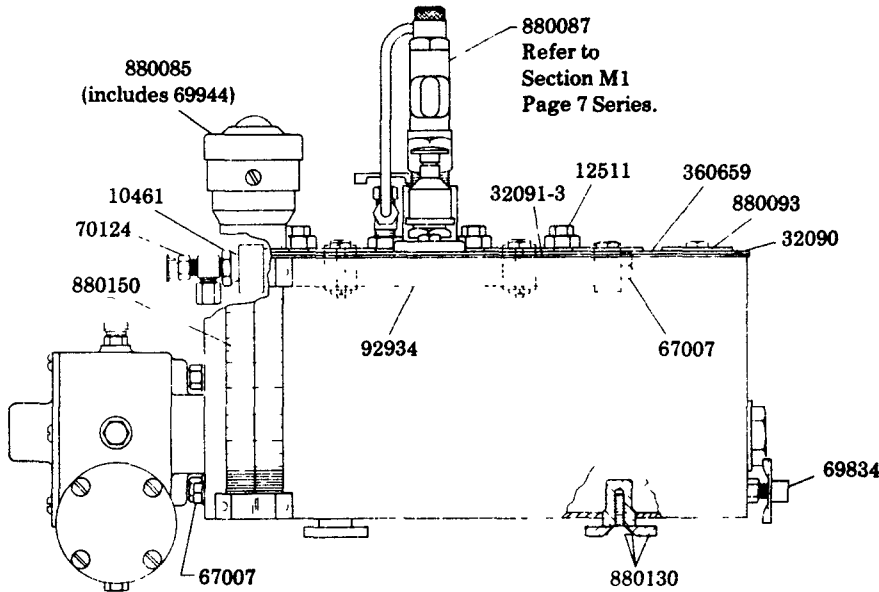
**LUBRICATOR**  
**L.H. REAR ROTARY DRIVE**  
**60:1 RATIO**  
**2 QT. RESERVOIR**



**Model 800059 SERIES**

**Series "B"**

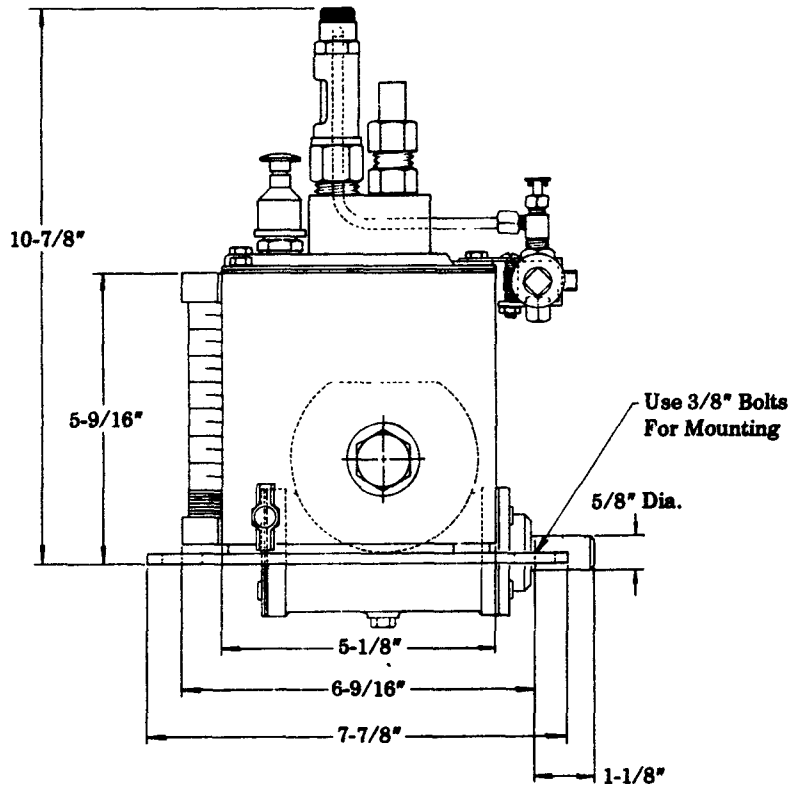
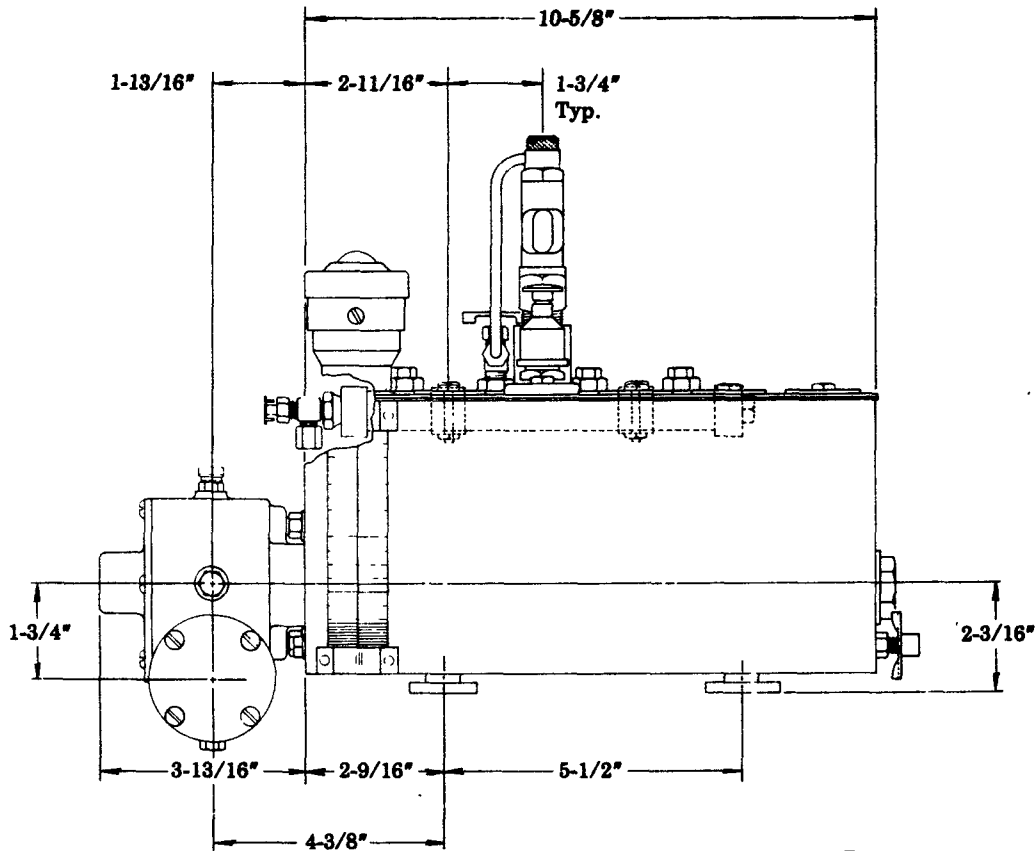
34622 included with pumps,  
 slot covers and filler.



Drive Adaptation  
 Refer to Section M3  
 Page 9 Series.

**SERVICE PARTS**

PART	QUAN.	DESCRIPTION
10461	1	Bushing
12511	As req'd	Pipe plug
32090	2	Cover gasket end
32091-3	2	Cover gasket strip
34622	As req'd	Gasket
50603	2	Screw
51043	2	Nut
66051	2	Lockwasher
67007	2	Drain plug
68220	1	#3 Woodruff key
69834	1	Drain cock
69944	1	Strainer
70124	1	Shut-off cock
92934	1	Manifold assembly
360659	1	Cover plate
360801	2	Mounting bracket
880085	1	Filler assembly
880087	As req'd	Model "55" pump (pressurized suction)
880093	As req'd	Slot cover assembly
880130	2	Bracket assembly
880150	1	Gauge glass assembly



**RETAIN THIS INFORMATION FOR FUTURE REFERENCE**

When ordering replacement parts, list: Part Number, Description, Model Number, and Series Letter.  
 LINCOLN ST. LOUIS provides a Distributor Network that stocks equipment and replacement parts.