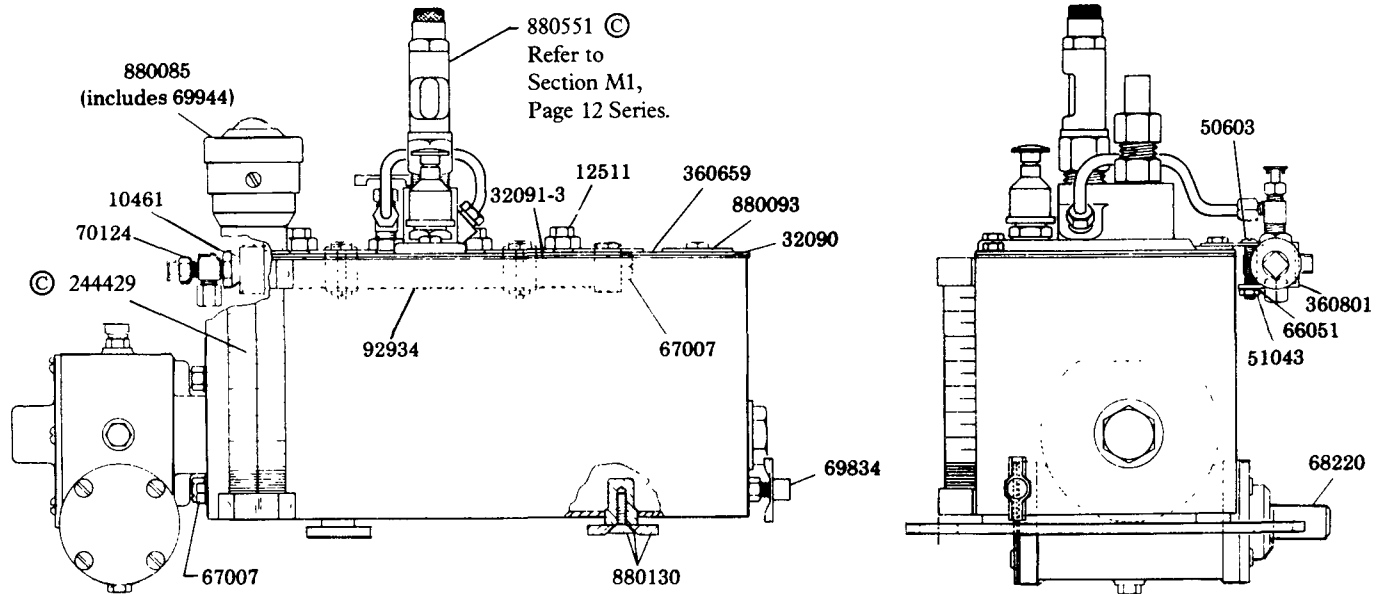


L.H. REAR ROTARY DRIVE
60:1 RATIO
2 QT. RESERVOIR



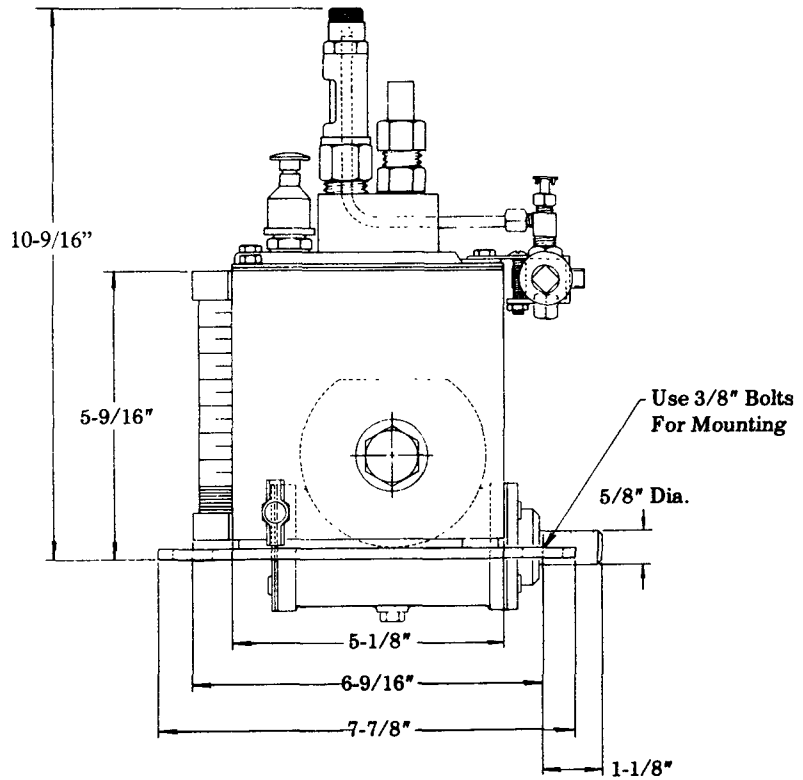
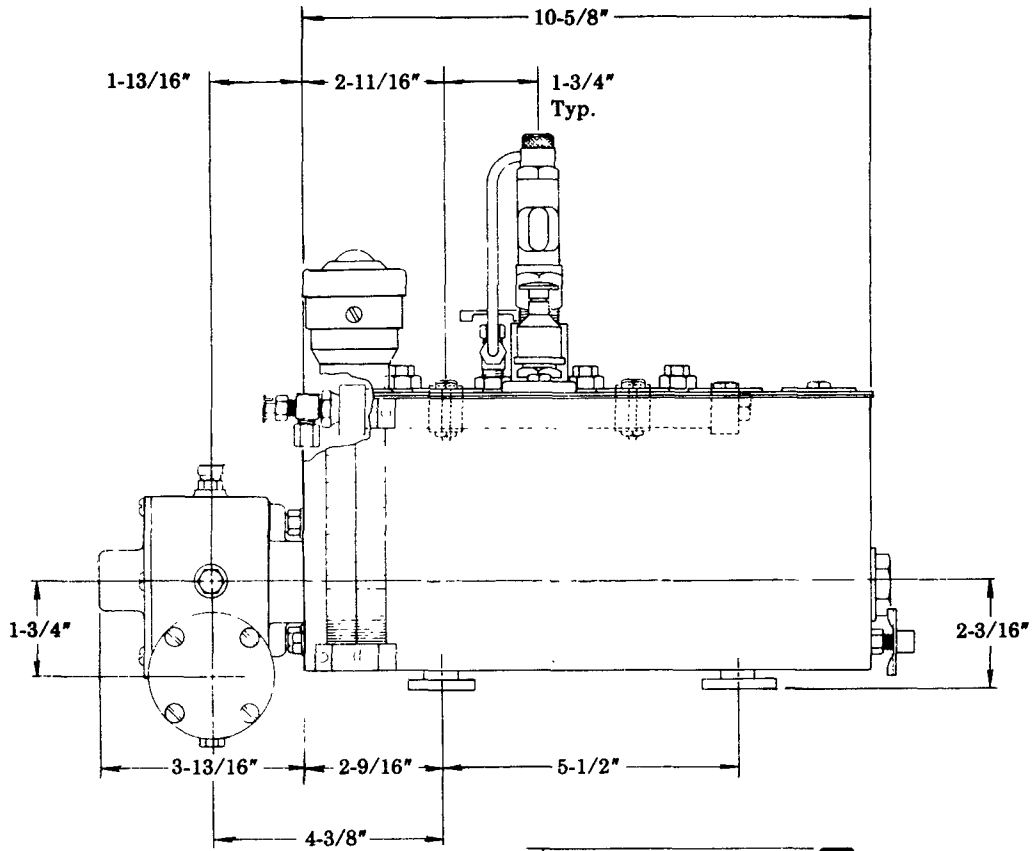
© Indicates Change

Drive Adaptation
Refer to Section M3
Page 9 Series.

NOTE: Part numbers on this page are correct, although drawing may not accurately illustrate current production components.

SERVICE PARTS

Part	Qty.	Description
10461	1	Bushing
12511	As req'd	Pipe plug
32090	2	Cover gasket end
32091-3	2	Cover gasket strip
50603	2	Screw
51043	2	Nut
66051	2	Lockwasher
67007	2	Drain plug
68220	1	#3 Woodruff key
69834	1	Drain cock
69944	1	Strainer
70124	1	Shut-off cock
92934	1	Manifold assembly
244429	1	Fluid level gauge
360659	1	Cover plate
360801	2	Mounting bracket
880085	1	Filler assembly
880093	As req'd	Slot cover assembly
880130	2	Bracket assembly
880551	As req'd	Model "55i" pump (pressurized suction)



RETAIN THIS INFORMATION FOR FUTURE REFERENCE

When ordering replacement parts, list: Part Number, Description, Model Number, and Series Letter.

LINCOLN provides a Distributor Network that stocks equipment and replacement parts.