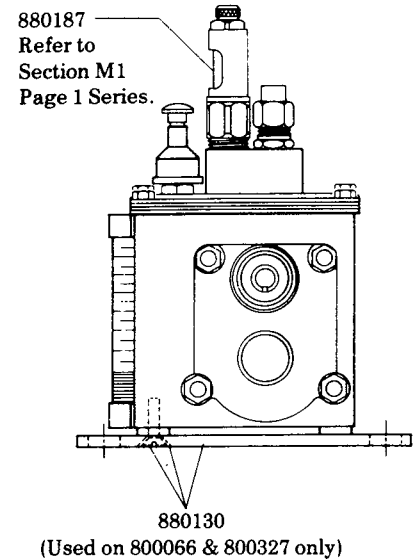
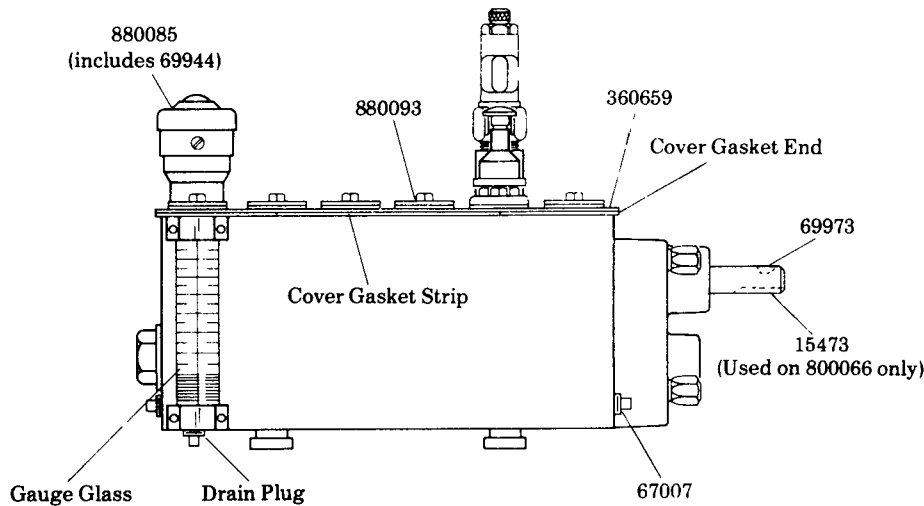


# Modular Lube®

## Model Nos. 800066, 800121, 800327 Series LUBRICATOR Series "D"

R. H. SPUR GEAR DRIVE  
112.5:1 RATIO  
2 QT. RESERVOIR

34622 included with pumps,  
slot covers and filler.



Drive Adaptation:  
Refer to Section M3  
Page 21 Series.

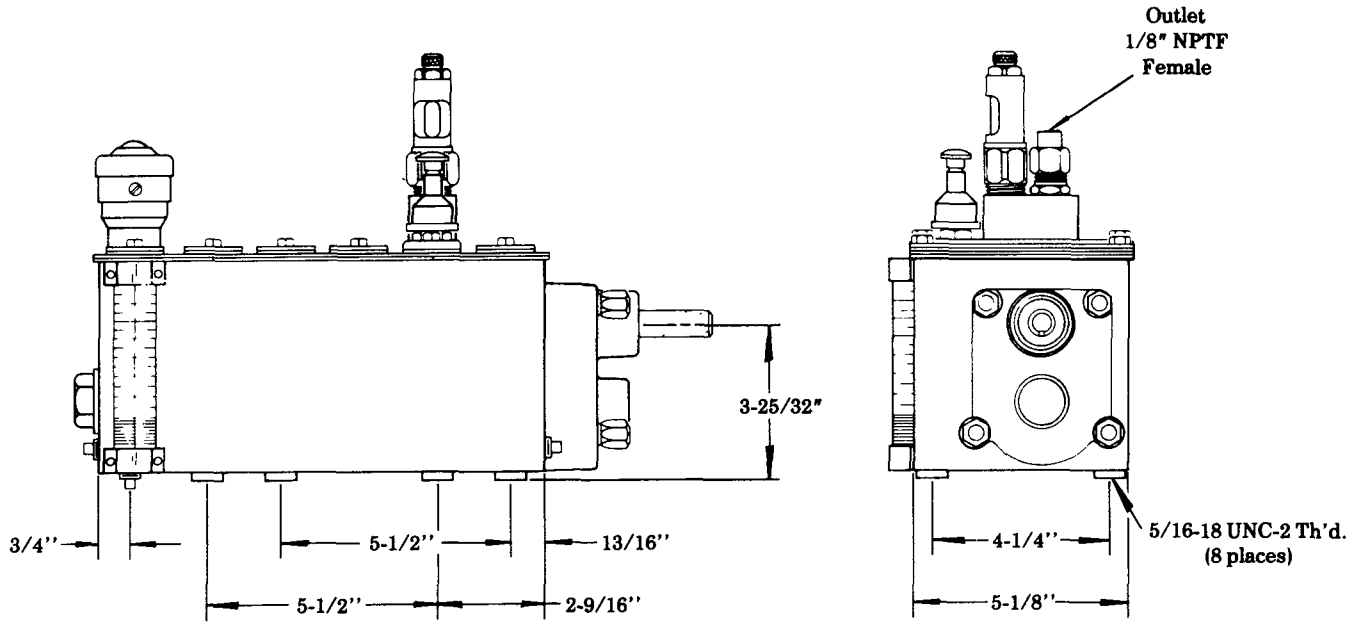
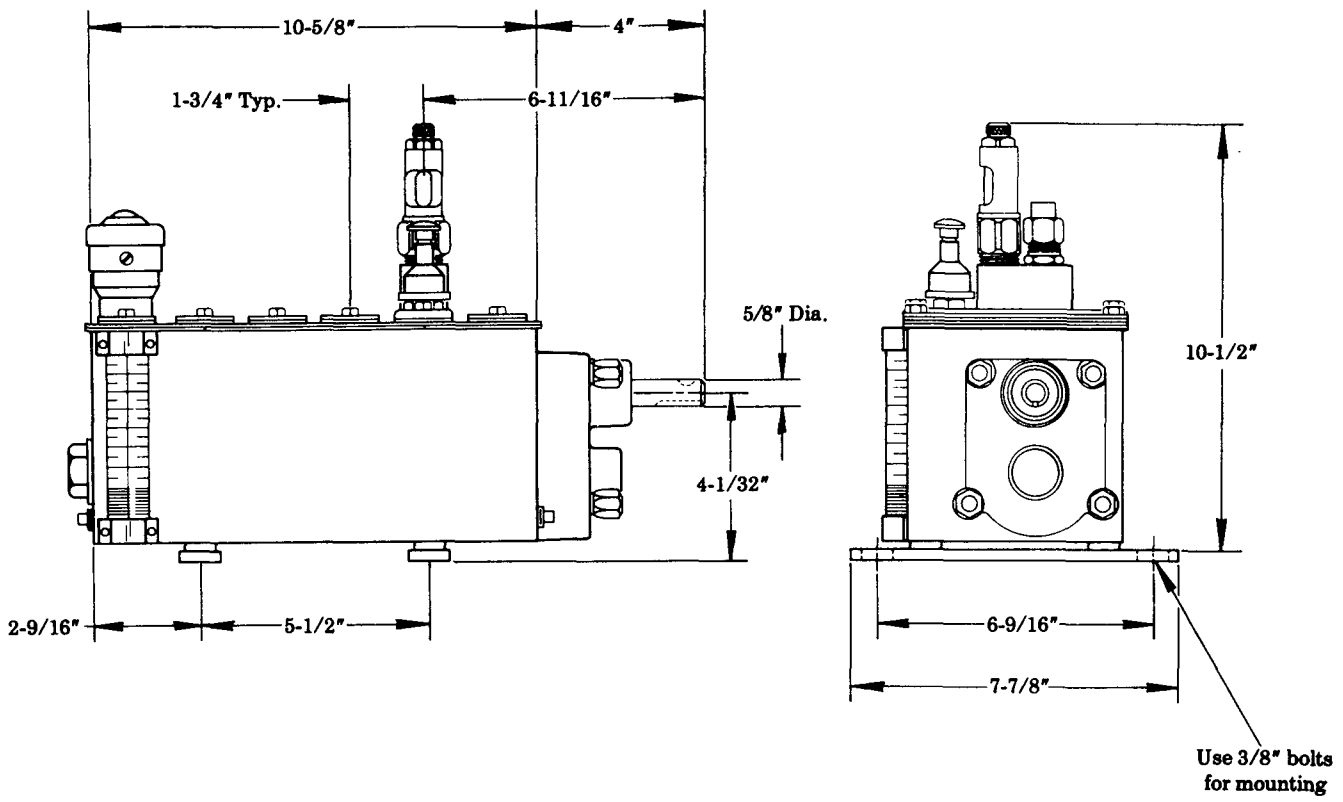
Model	Cover Gasket		Drain Plug	Gauge Glass
	End	Strip		
800066	32090	32091-3	—	880150©
800121	32090	32091-3	67007	880150©
800327	32090	32091-3	—	880150

880019 includes Buna-N oil seals  
880150 includes Viton oil seals

### SERVICE PARTS

Part	Qty.	Description
15473	1	Square key (Used on 800066 only)
34622	As req'd	Gasket
67007	2	Drain plug
69944	1	Strainer
69973	1	#5 Woodruff key
360659	1	Cover plate
880085	1	Filler assembly
880093	As req'd	Slot cover assembly
880130	2	Bracket assembly (Used on 800066 & 800327 only)
880187	As req'd.	Model '55' pump assembly

© Indicates Change



**MODEL 800121 ONLY**

——— **RETAIN THIS INFORMATION FOR FUTURE REFERENCE** ———  
 When ordering replacement parts, list: Part Number, Description, Model Number, and Series Letter.  
 LINCOLN provides a Distributor Network that stocks equipment and replacement parts.