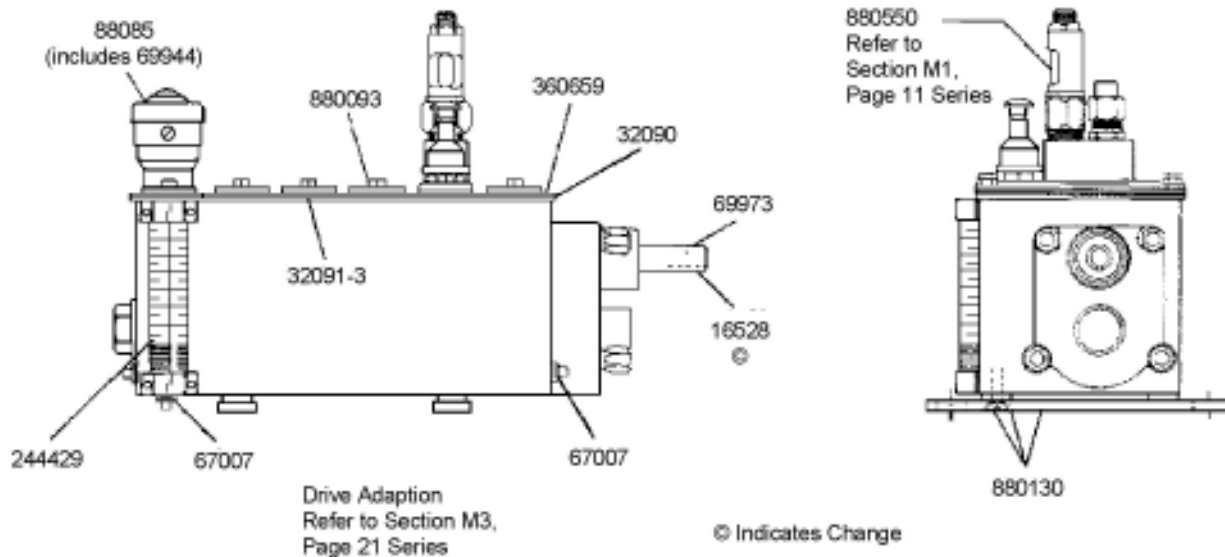


**Model 800066 Series  
LUBRICATOR  
Series "E"  
R.H. SPUR GEAR DRIVE  
112.5:1 RATIO  
2 QT. RESERVOIR**

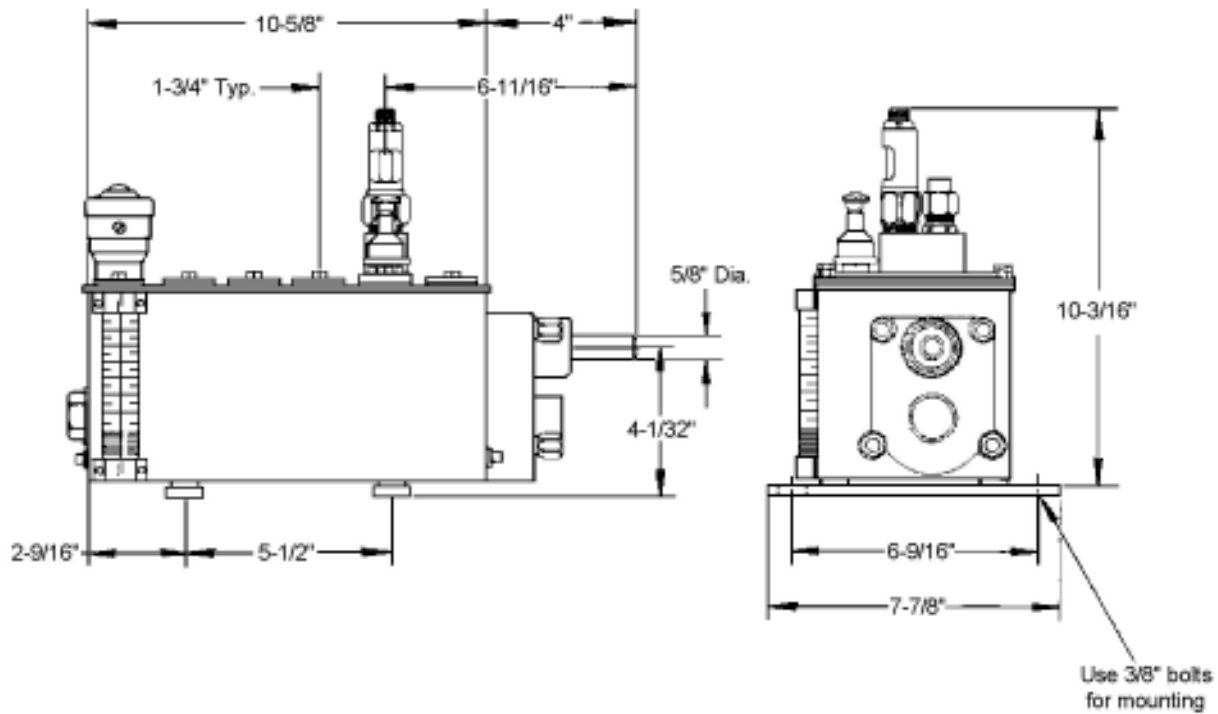


**NOTE: Part numbers on this page are correct, although drawing may not accurately illustrate current production components.**

**SERVICE PARTS**

Part	Qty.	Description
© 16528	1	Square Key
32090	2	Cover Gasket End
32091-3	2	Cover Gasket Strip
67007	2	Drain Plug
69944	1	Strainer
69973	1	#5 Woodruff Key
244429	1	Fluid Level Gauge
360659	1	Cover Plate
880085	1	Filler Assembly
880093	As req'd	Slot Cover Assembly
880130	2	Bracket Assembly
880550	As req'd	Model "55i" Pump Assembly

© Indicates Change



Americas:  
One Lincoln Way  
St. Louis, MO 63120-1578  
USA  
Phone +1.314.679.4200  
Fax +1.800.424.5359

Europe/Africa:  
Heinrich-Hertz-Str 2-8  
D-69183 Walldorf  
Germany  
Phone +49.6227.33.0  
Fax +49.6227.33.259

Asia/Pacific:  
25 Int'l Business Park  
#01-65 German Centre  
Singapore 609916  
Phone +65.562.7960  
Fax +65.562.9967

© Copyright 2000  
Printed in USA

Web site:  
[www.lincolnindustrial.com](http://www.lincolnindustrial.com)