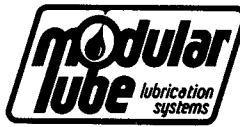


LUBRICATOR

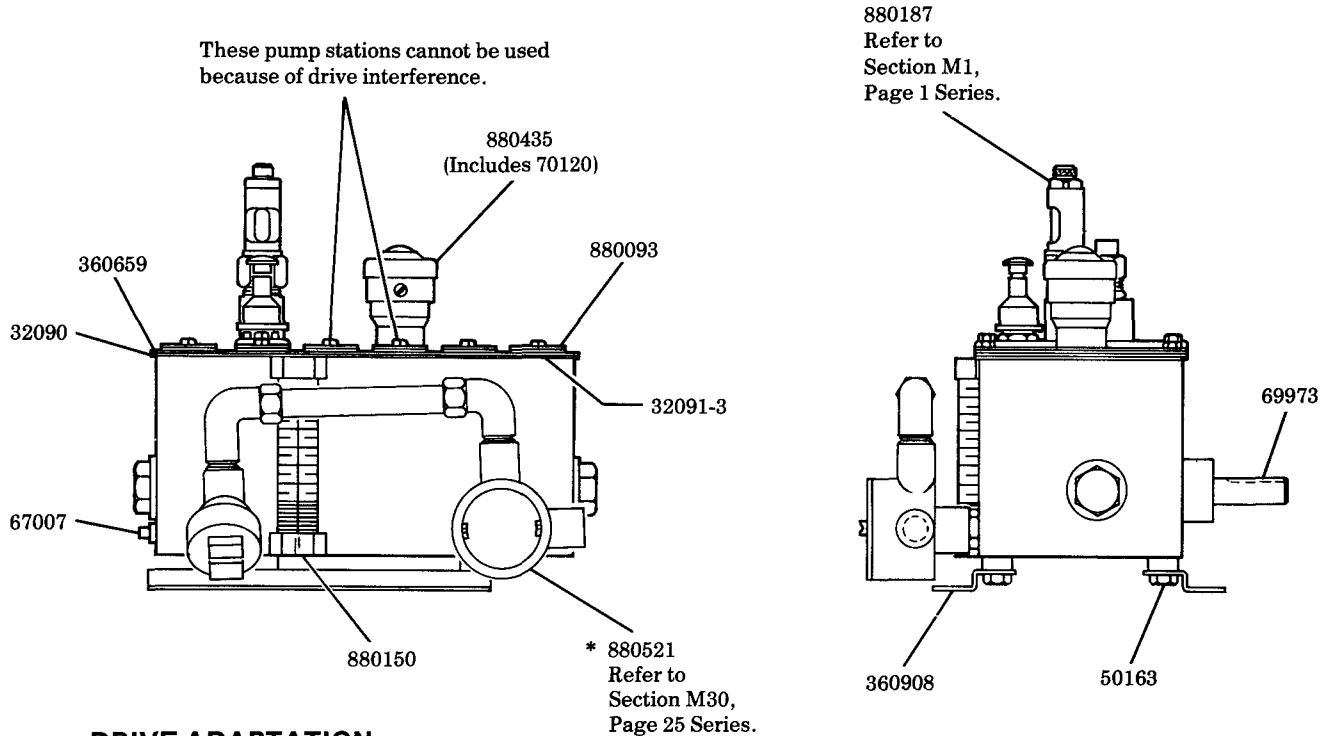
CENTER INTERNAL REAR ROTARY DRIVE
250:1 RATIO, 2 QT. RESERVOIR
INCLUDES VITON OIL SEALS



Model 801033 SERIES
Model 801033A SERIES
Series "B"

* Model 801033A only.
Replaced by two 67117 Pipe Plugs. (Model 801033)

34622 included with pumps,
slot covers and filler.



DRIVE ADAPTATION

Refer to Section M3,
Page 4 Series.

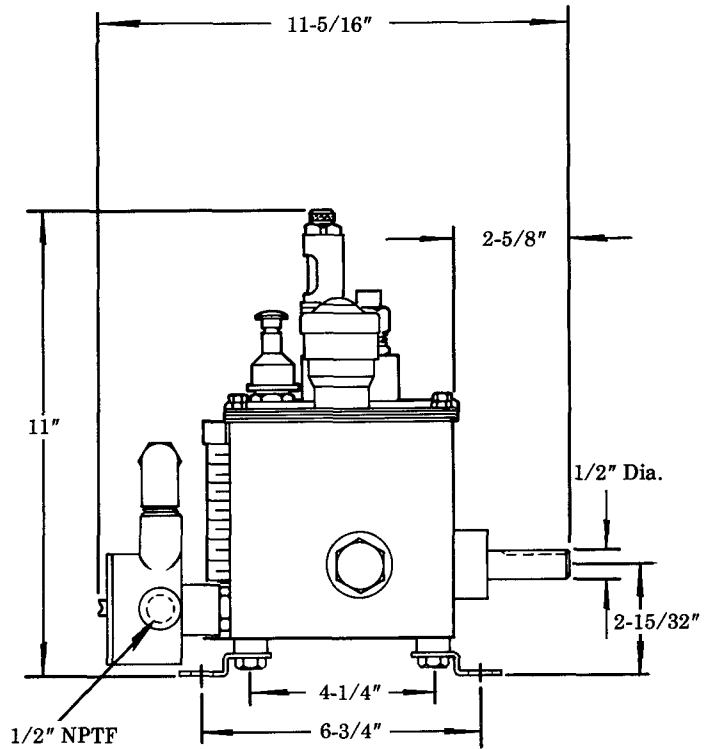
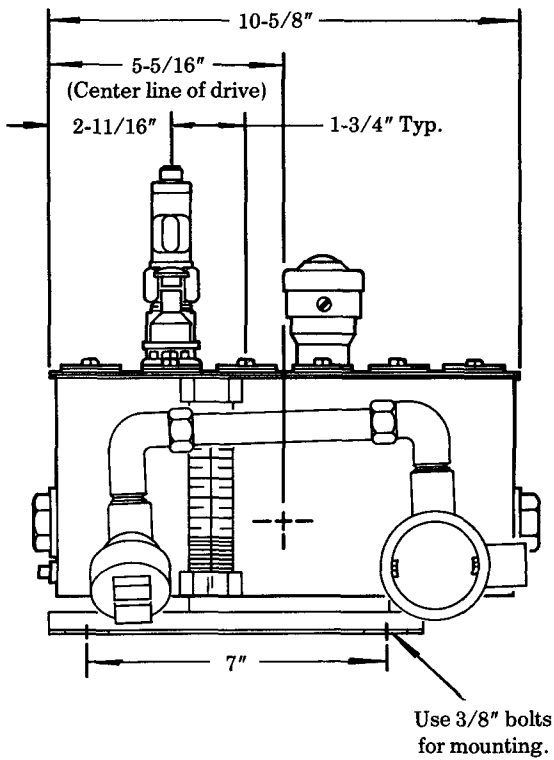
SERVICE PARTS

PART	QUAN.	DESCRIPTION
32090	2	Cover gasket end
32091-3	2	Cover gasket strip
34622	As Req'd.	Gasket
50163	4	Screw
67007	2	Drain plug
67117	2	Pipe plug
69973	1	#5 Woodruff key
70120	1	Strainer
360659	1	Cover plate
360908	2	Mounting bracket
880093	As Req'd.	Slot cover assembly
880150	1	Gauge glass assembly
880187	As Req'd.	Model "55" pump assembly
880435	1	Filler assembly
880521	1	Heater assembly

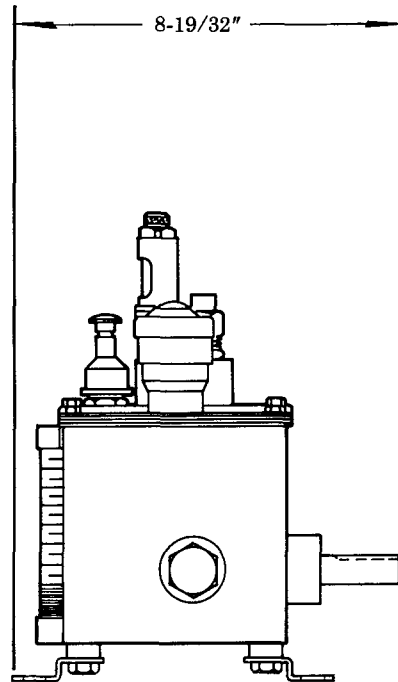
LINCOLN ST. LOUIS
4010 GOODFELLOW BLVD • ST. LOUIS, MO 63120 • (314) 679-4200



SECTION - **M2**
PAGE - **214**



MODEL 801033A



MODEL 801033

RETAIN THIS INFORMATION FOR FUTURE REFERENCE

When ordering replacement parts, list: Part Number, Description, Model Number, and Series Letter.
 LINCOLN ST. LOUIS provides a Distributor Network that stocks equipment and replacement parts.