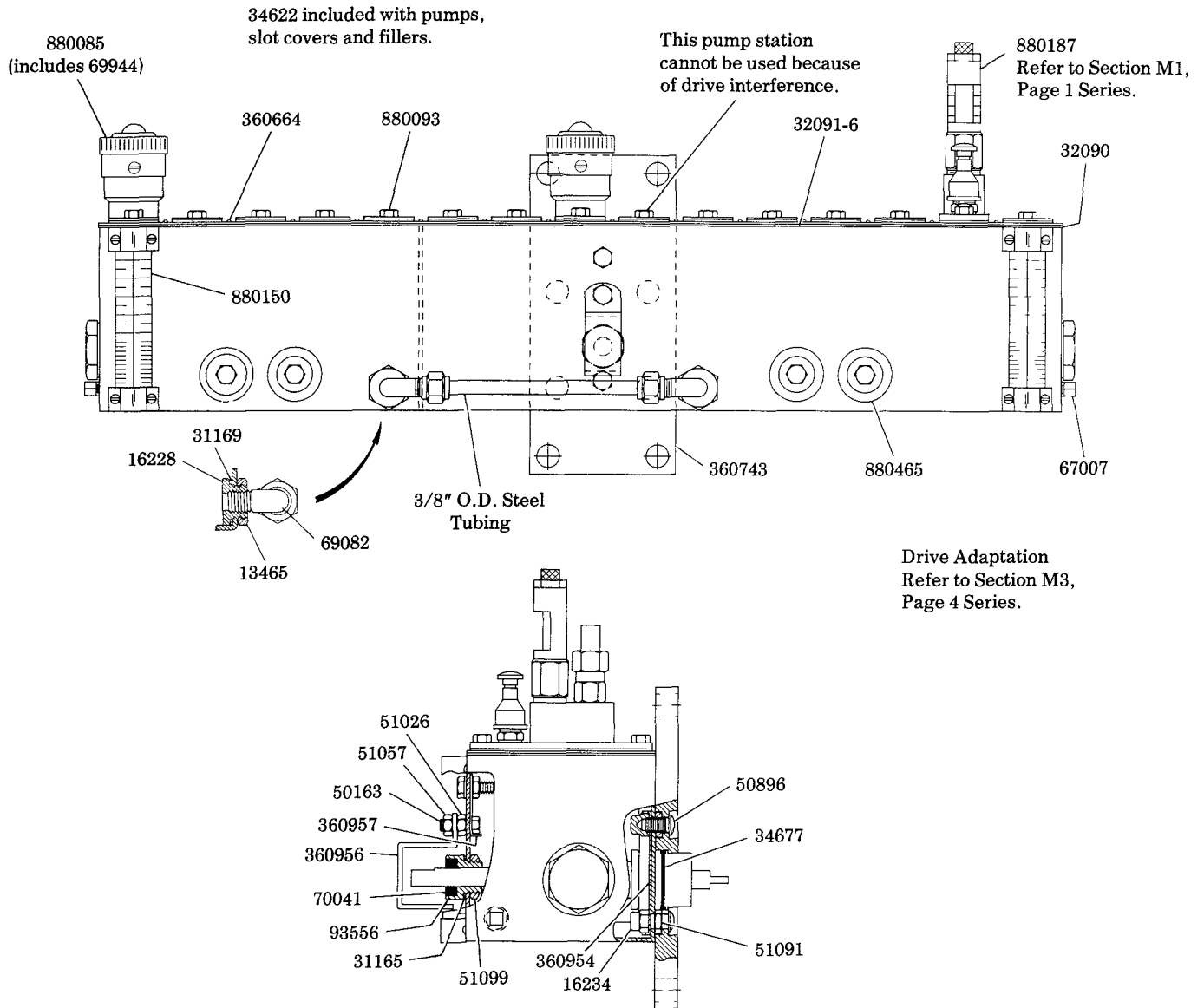


LUBRICATOR

CENTER INTERNAL REAR ROTARY DRIVE
375:1 RATIO
2 GALLON RESERVOIR



Model 800010 SERIES



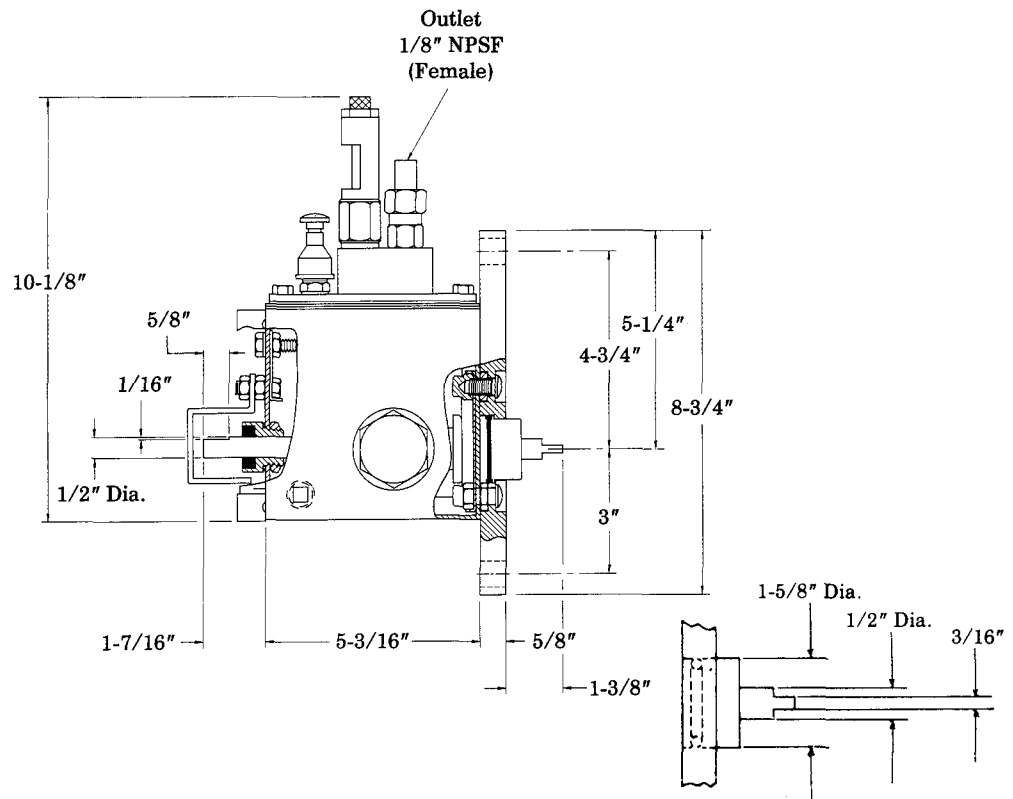
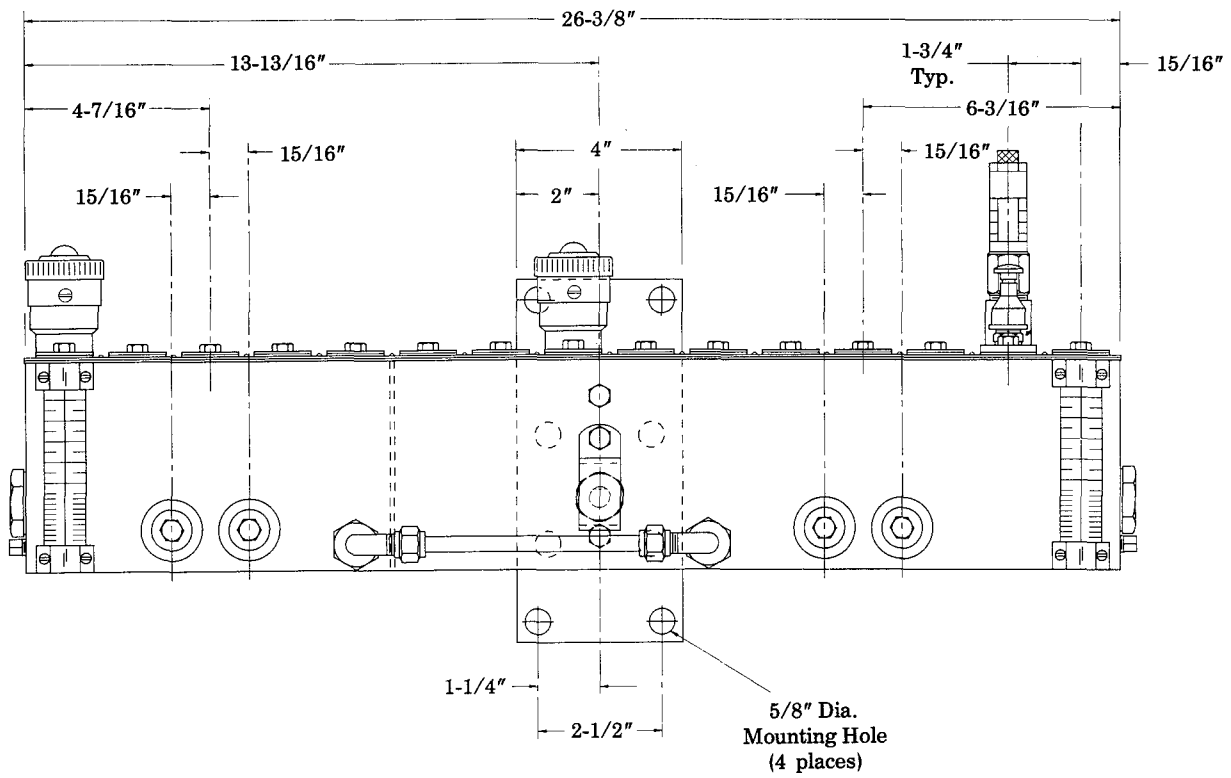
SERVICE PARTS

PART	QUAN.	DESCRIPTION	PART	QUAN.	DESCRIPTION	PART	QUAN.	DESCRIPTION
13465	2	Nut	50896	4	Screw	360664	1	Cover plate
16228	2	Drain boss	51026	1	Nut	360743	1	Mounting plate
16234	4	Stud screw	51057	1	Nut	360954	2	Mounting strip
31165	1	Washer	51091	4	Nut	360956	1	Shaft guard
31169	2	Washer	51099	1	Nut	360957	1	Mounting strip
32090	2	Cover gasket end	67007	2	Drain plug	880085	2	Filler assembly
32091-6	2	Cover gasket strip	69082	2	Elbow tube connector	880093	As Req'd.	Slot cover assembly
34622	As Req'd.	Gasket	69944	2	Strainer	880150	2	Gauge glass assembly
34677	1	O-ring	70041	1	Oil seal	880187	As Req'd.	Model '55' pump assembly
50163	1	Screw	93556	1	Stuffing box	880465	4	Heater hole closure assembly

LINCOLN ST. LOUIS
4010 GOODFELLOW BLVD • ST. LOUIS, MO 63120 • (314) 679-4200



SECTION - **M2**
PAGE - **215**



RETAIN THIS INFORMATION FOR FUTURE REFERENCE

When ordering replacement parts, list: Part Number, Description, Model Number, and Series Letter.

LINCOLN ST. LOUIS provides a Distributor Network that stocks equipment and replacement parts.

A list of Authorized Service Departments will be furnished upon request.