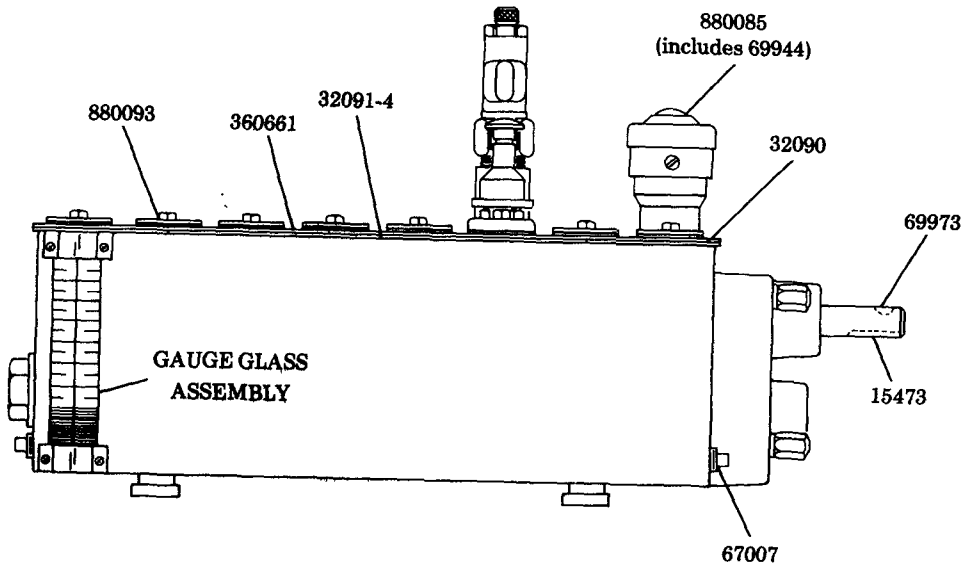


**LUBRICATOR**  
 R.H. SPUR GEAR DRIVE  
 112.5:1 RATIO  
 1 GALLON RESERVOIR

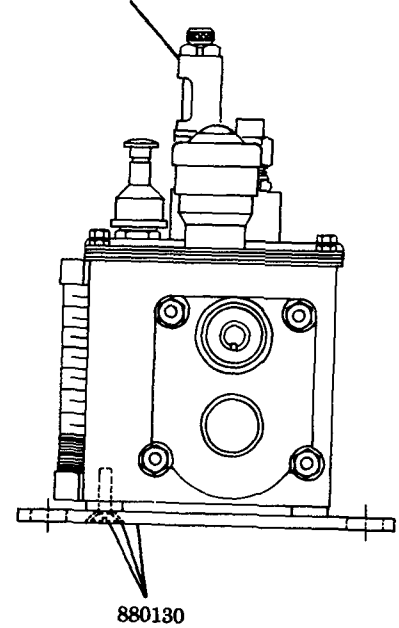


**Models 800289  
 801162 & 801183 SERIES**  
**Series "A"**

34622 included with pumps,  
 slot covers and filler.



Model "55"  
 Pump Assembly  
 Refer to Section M1,  
 Page 1 Series.



**DRIVE ADAPTATION**

Refer to Section M3  
 Page 21 Series.

**SERVICE PARTS**

PART	QUAN.	DESCRIPTION
15473	1	Square key
32090	2	Cover gasket end
32091-4	2	Cover gasket strip
34622	As req'd.	Gasket
67007	2	Drain plug
69944	1	Strainer
69973	1	#5 Woodruff key
360661	1	Cover plate
880085	1	Filler assembly
880093	As req'd.	Slot cover assembly
880130	2	Bracket assembly

MODEL	MODEL "55" PUMP ASSEMBLY	GAUGE GLASS ASSEMBLY
800289	880187	880019
801162	880330	880019
801183	880187	880150

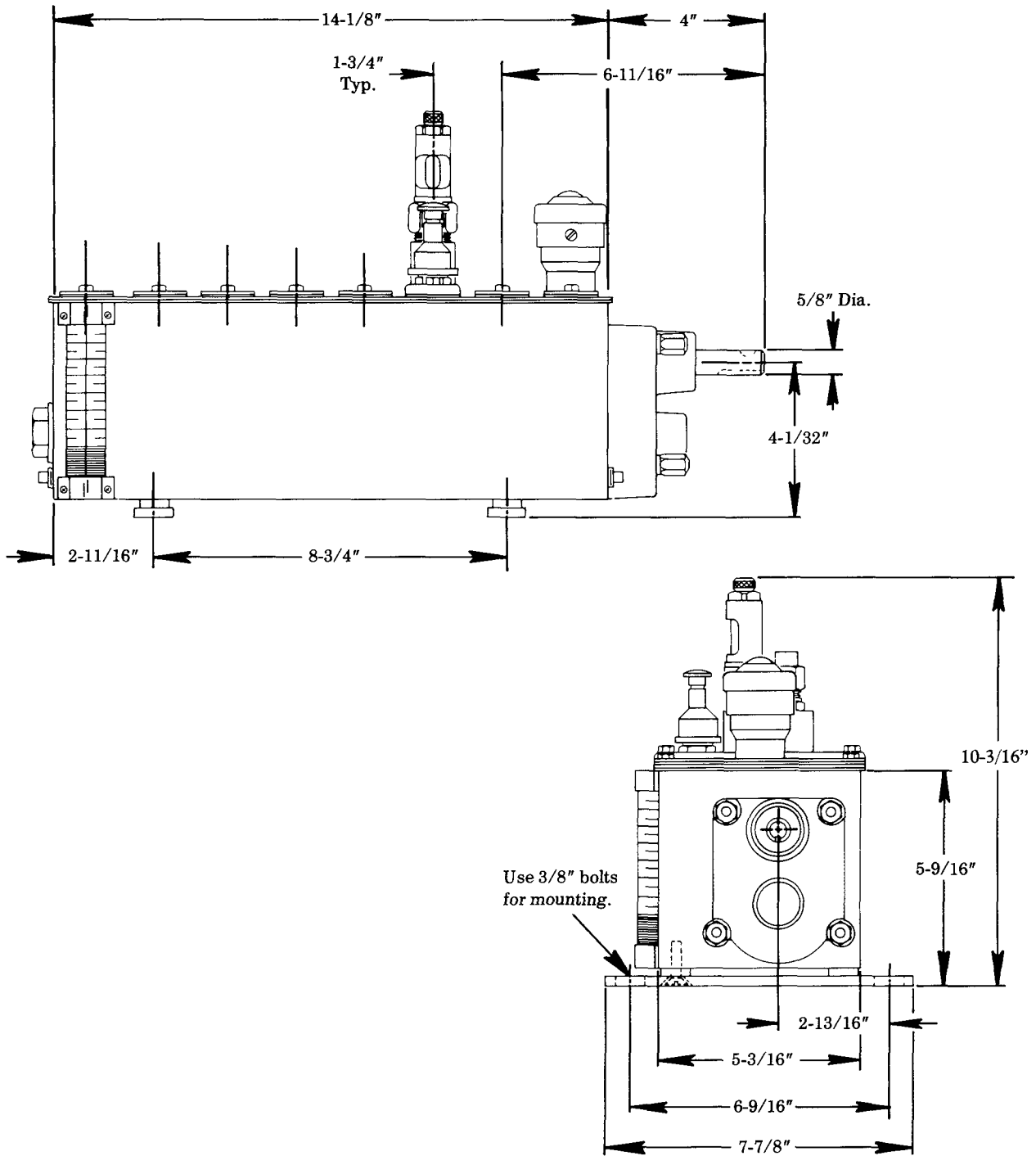
Models 800289 and 801162 contain Buna-N oil seal.  
 Model 801183 contains Viton oil seal.

**LINCOLN**

A PENTAIR COMPANY

One Lincoln Way  
 St. Louis, MO 63120-1578  
 (314) 679-4200  
 Customer Service, (314) 679-4300

**SECTION -M2**  
**PAGE -216**



**RETAIN THIS INFORMATION FOR FUTURE REFERENCE**

When ordering replacement parts, list: Part Number, Description, Model Number, and Series Letter.

LINCOLN ST. LOUIS provides a Distributor Network that stocks equipment and replacement parts.