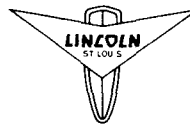


LUBRICATOR

CENTER INTERNAL REAR ROTARY DRIVE
375:1 RATIO
1.5 GALLON RESERVOIR

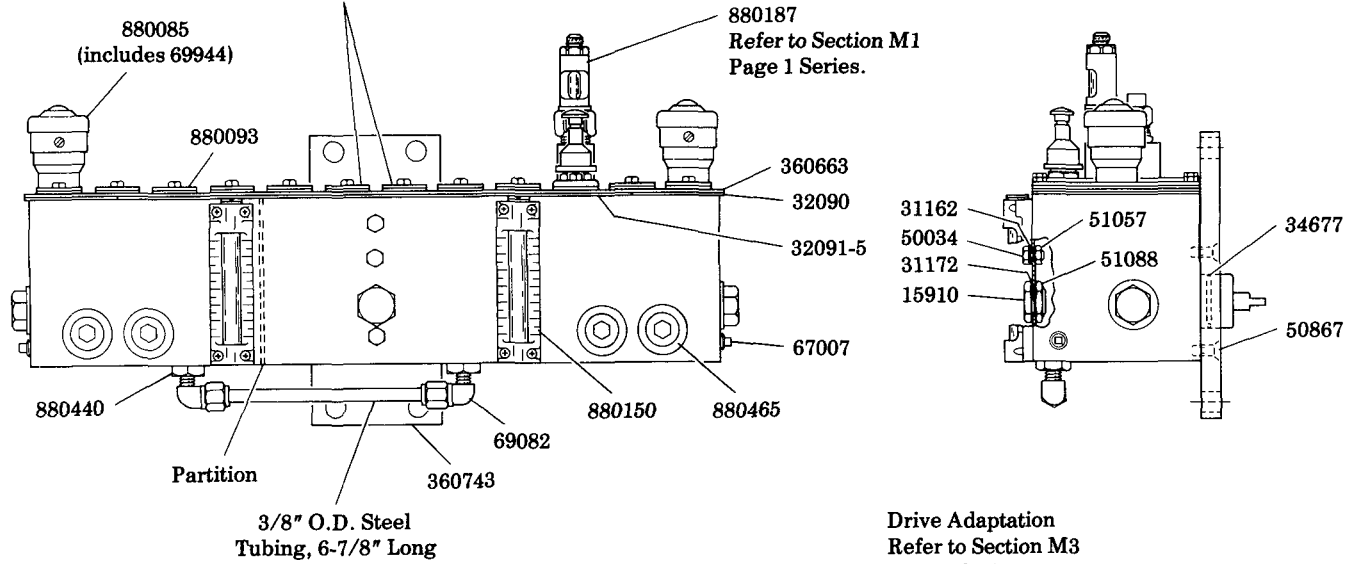


Model 800038 SERIES

Series " B "

34622 Gasket included with pumps, slot covers, and filler.

These two pump stations cannot be used because of drive interference.



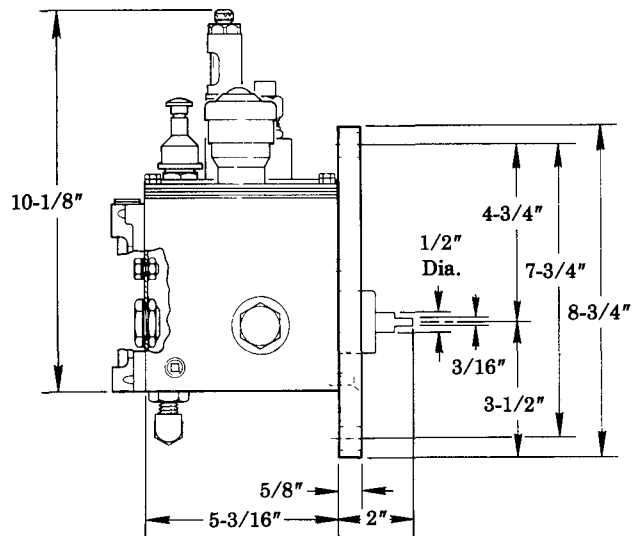
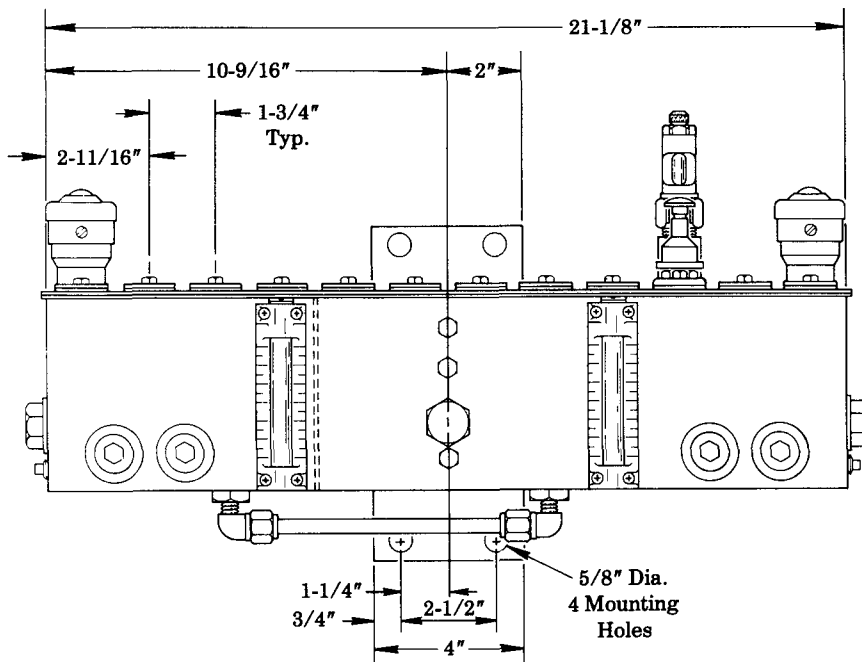
SERVICE PARTS

PART	QUAN.	DESCRIPTION
15910	1	Plug
31162	1	Washer
31172	1	Washer
32090	2	Cover gasket end
32091-5	2	Cover gasket strip
34622	As req'd.	Gasket
34677	1	O-ring
50034	1	Screw
50867	4	Screw
51057	1	Nut
51088	1	Nut
67007	2	Drain plug
69082	2	Elbow tube connector
69944	2	Strainer
360663	1	Cover plate
360743	1	Mounting plate
880085	2	Filler assembly
880093	As req'd.	Slot cover assembly
880150	2	Gauge glass assembly
880187	As req'd.	Model "55" pump assembly
880440	2	Drain boss assembly
880465	4	Heater hole closure

LINCOLN ST. LOUIS
4010 GOODFELLOW BLVD • ST LOUIS, MO 63120 • (314) 383 5900



SECTION - **M2**
PAGE - **21A**



RETAIN THIS INFORMATION FOR FUTURE REFERENCE

When ordering replacement parts, list: Part Number, Description, Model Number, and Series Letter.
 LINCOLN ST. LOUIS provides a Distributor Network that stocks equipment and replacement parts.