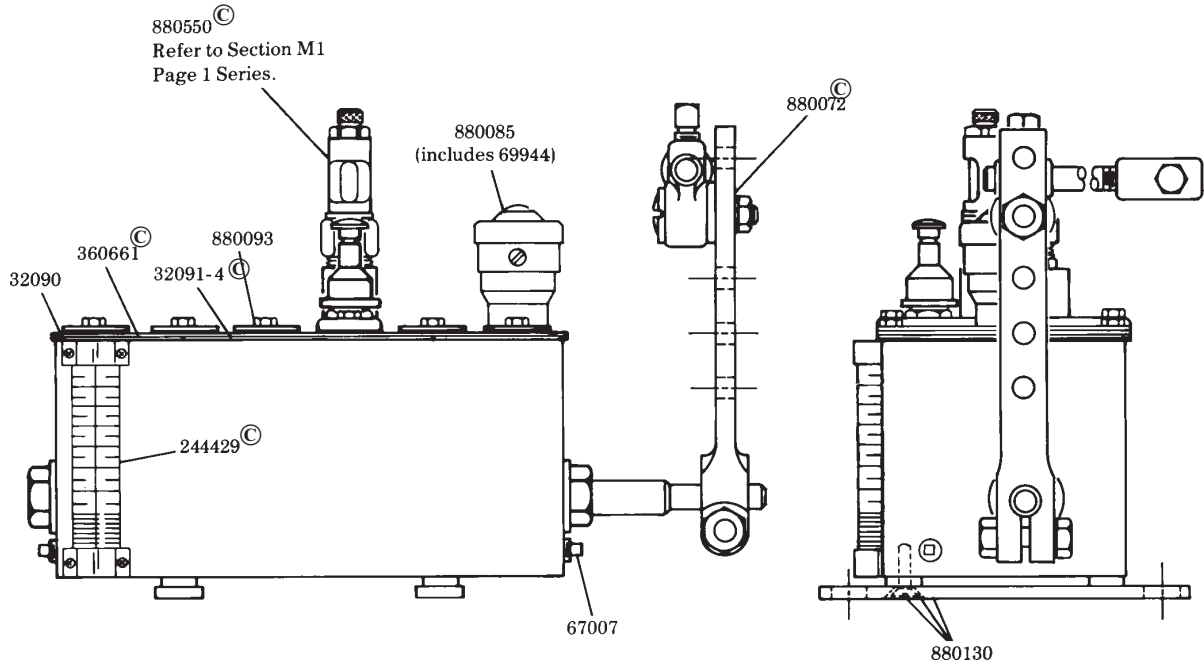


R.H. INTERNAL RATCHET  
1 GAL. RESERVOIR - C.W. ROTATION  
INCLUDES BUNA-N OIL SEALS



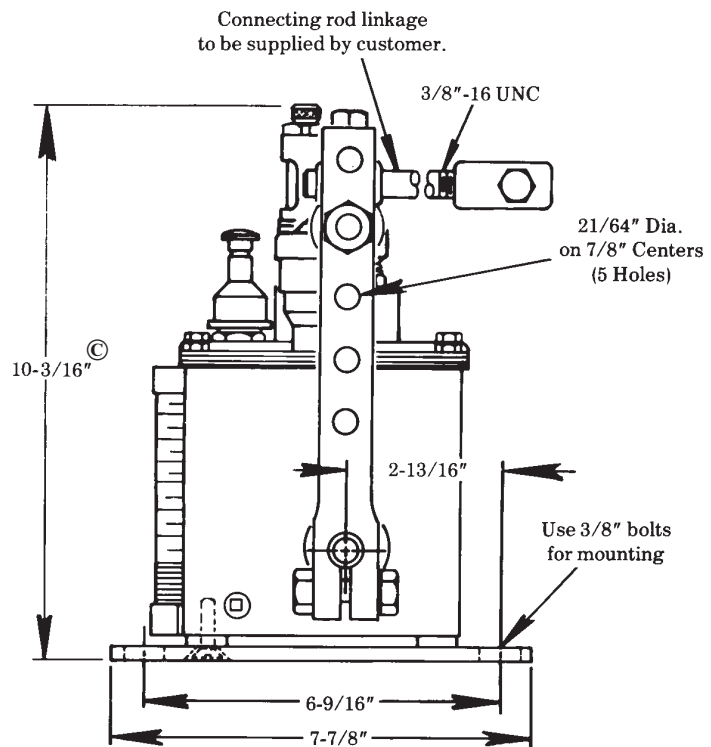
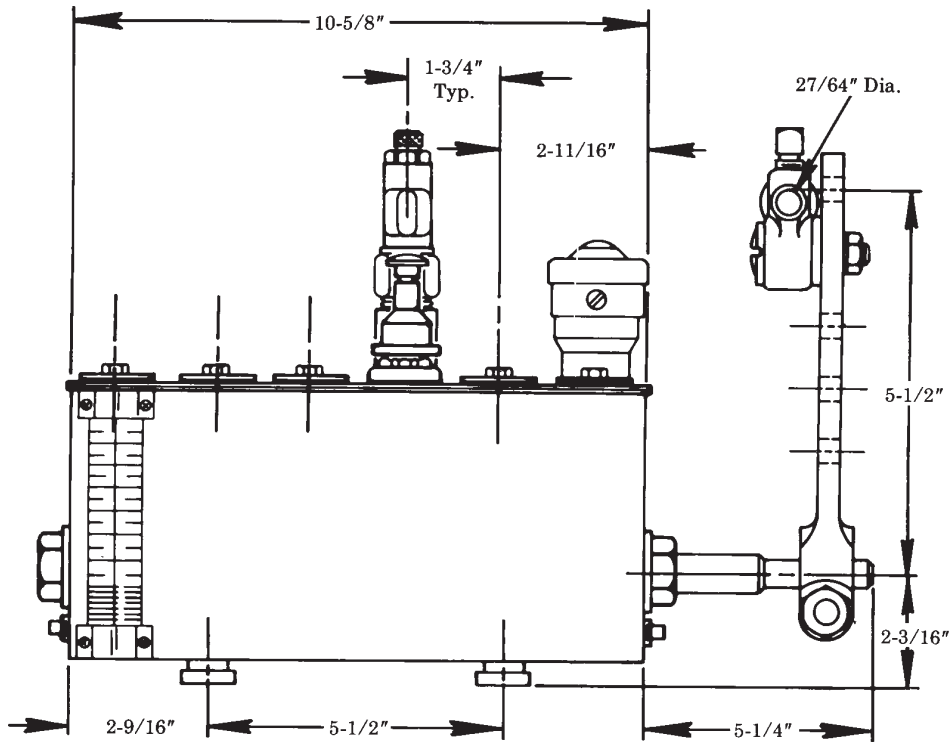
© Indicates Change

DRIVE ADAPTATION:  
Refer to Section M3  
Page 32 Series.

**SERVICE PARTS**

PART	QUAN.	DESCRIPTION
32090	2	Cover gasket end
32091-4	2	Cover gasket strip
67007	2	Drain plug
69944	1	Strainer
360661	1	Cover plate
880085	1	Filler assembly
880093	As req'd	Slot cover assembly
880130	2	Bracket assembly
244429	1	Fluid level gauge
880550	As req'd	Model "55i" pump assembly
880072	1	Lever & clamp assembly

NOTE: Part numbers listed on this page are correct, although drawing may not accurately illustrate current production components.



**RETAIN THIS INFORMATION FOR FUTURE REFERENCE**

When ordering replacement parts, list: Part Number, Description, Model Number, and Series Letter.

LINCOLN provides a Distributor Network that stocks equipment and replacement parts.