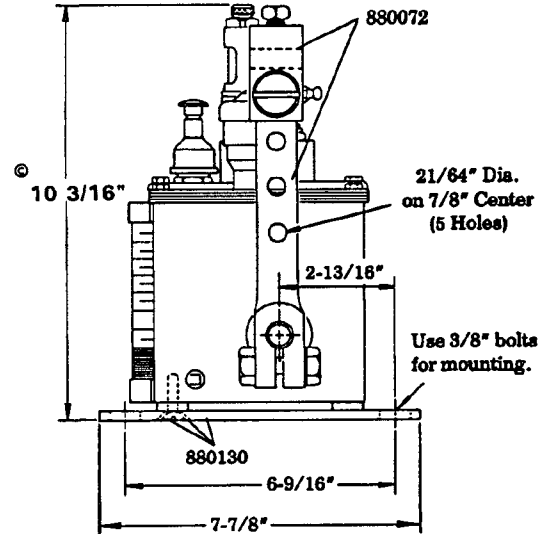
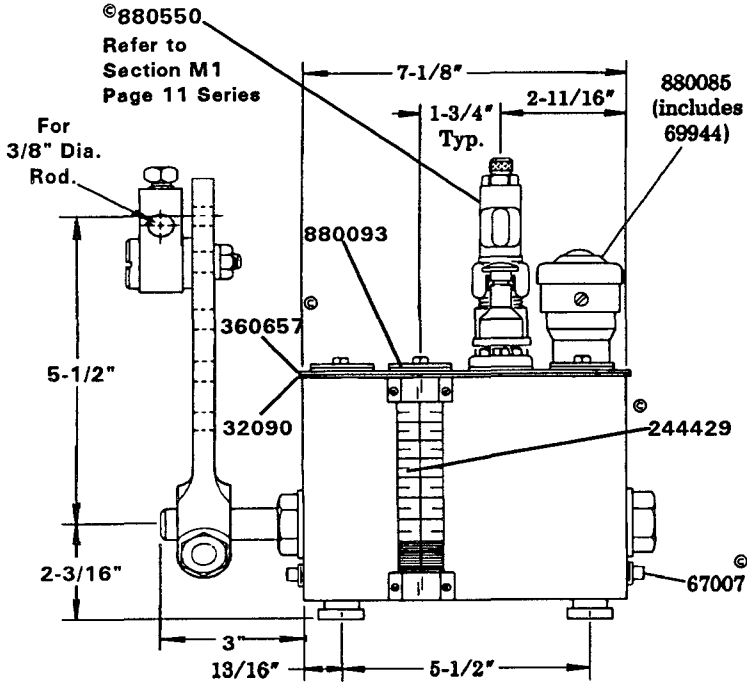


L.H. INTERNAL RATCHET DRIVE
CLOCKWISE ROTATION
1 QT. RESERVOIR - BUNA-N OIL SEAL



DRIVE ADAPTATION:
Refer to Section M3
Page 31 Series.

© Indicates Change

NOTE: Part numbers listed on this page are correct, although drawing may not accurately illustrate current production components.

SERVICE PARTS

Part	Qty.	Description
32090	2	Cover gasket end
67007	2	Drain plug
69944	1	Strainer
244429	1	Fluid level gauge
360657	1	Cover plate
880072	1	Lever & clamp assembly
880085	1	Filler Assembly
880093	As req'd	Slot cover assembly
880130	2	Bracket assembly
880550	As req'd	Model "55i" pump assembly

RETAIN THIS INFORMATION FOR FUTURE REFERENCE

When ordering replacement parts, list: Part Number, Description, Model Number, and Series Letter.

LINCOLN provides a Distributor Network that stocks equipment and replacement parts.