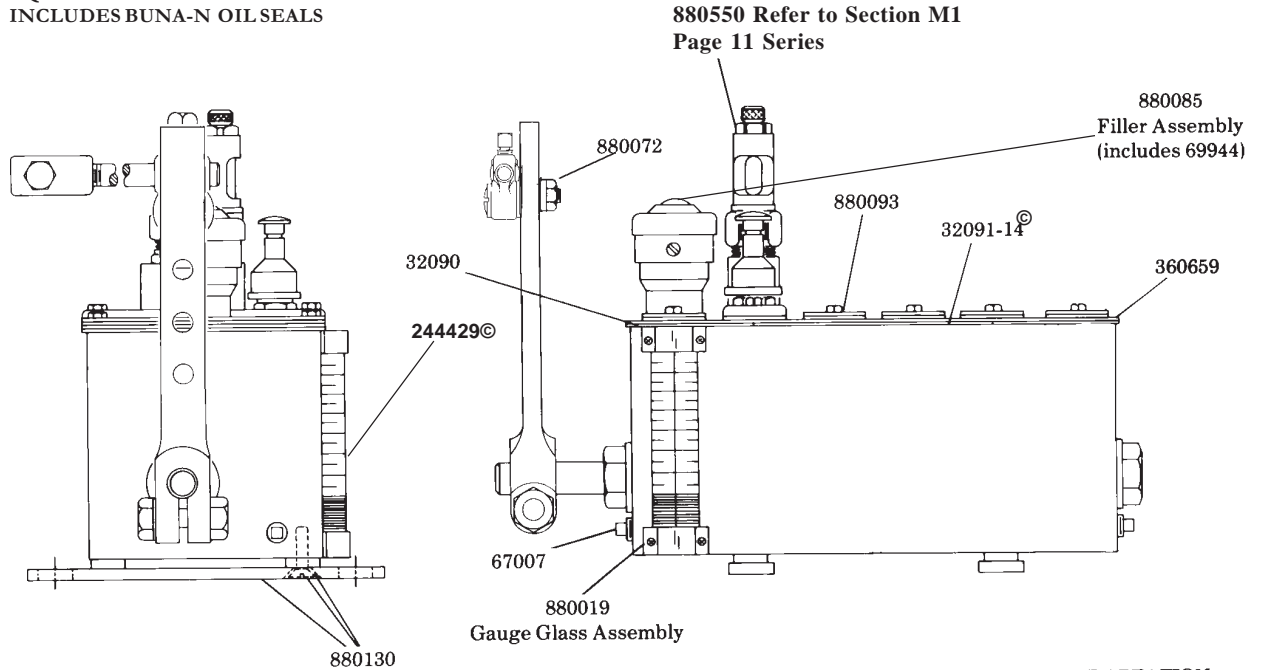


L.H. INTERNAL OSCILLATING DRIVE
 2 QT. RESERVOIR - CLOCKWISE ROTATION
 INCLUDES BUNA-N OIL SEALS



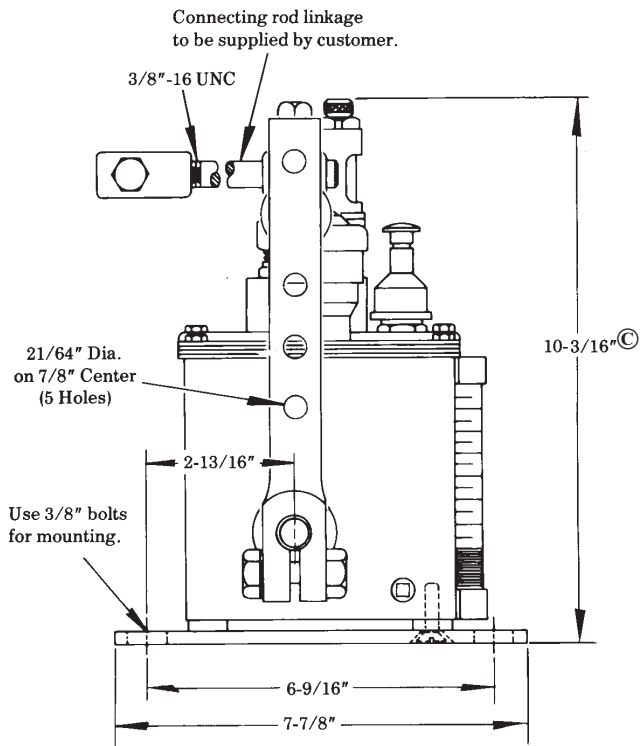
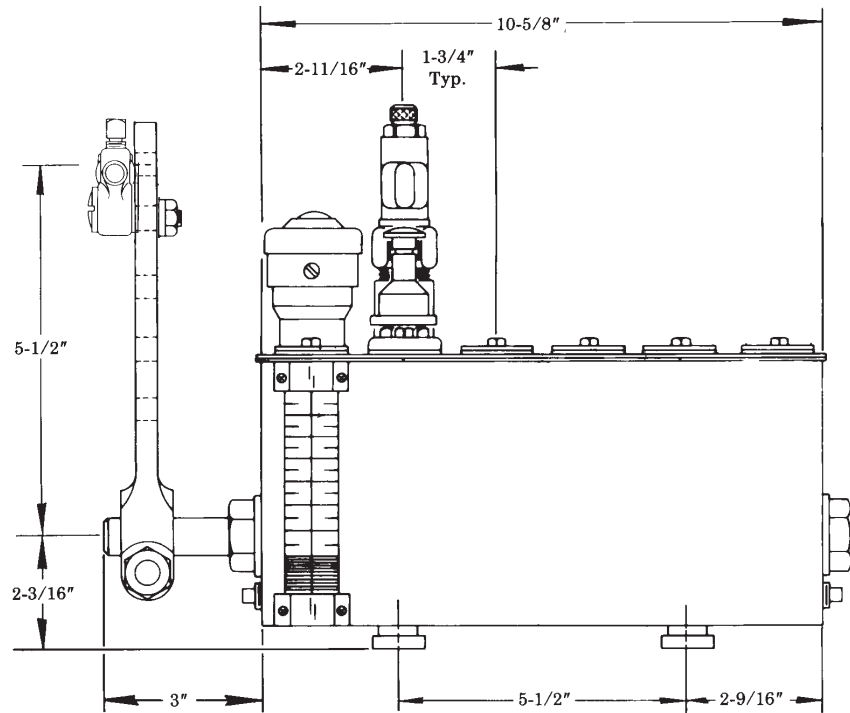
© Indicates Change

DRIVE ADAPTATION:
 Refer to Section M3
 Page 31 Series.

NOTE: Part numbers listed on this page are correct, although drawing may not accurately illustrate current production components.

SERVICE PARTS

PART	QTY.	DESCRIPTION
32090	2	Cover gasket end
32091-14	1	Cover gasket strip (10 ft.) (Cut to fit)
67007	2	Drain plug
69944	1	Strainer
244429	1	Fluid level gauge
360659	1	Cover plate
880072	1	Lever & clamp assembly
880085	1	Filler assembly
880093	As req'd	Slot cover assembly
880130	2	Bracket assembly
880550	As req'd	Model "55i" pump assembly



RETAIN THIS INFORMATION FOR FUTURE REFERENCE

When ordering replacement parts, list: Part Number, Description, Model Number, and Series Letter.

LINCOLN provides a Distributor Network that stocks equipment and replacement parts.