

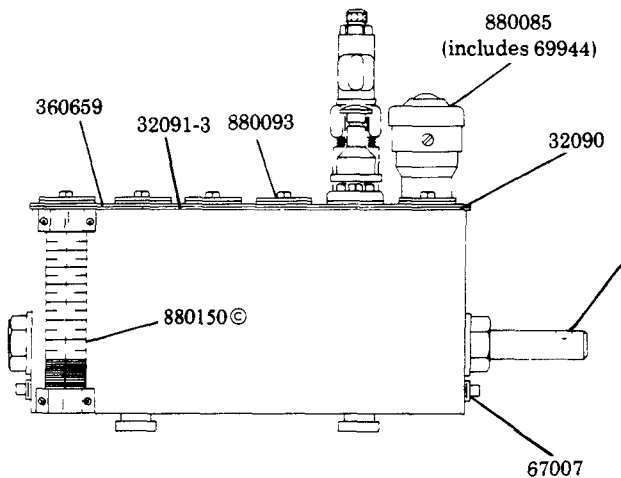
R.H. END ROTARY DRIVE
2 QT. RESERVOIR

RATIO

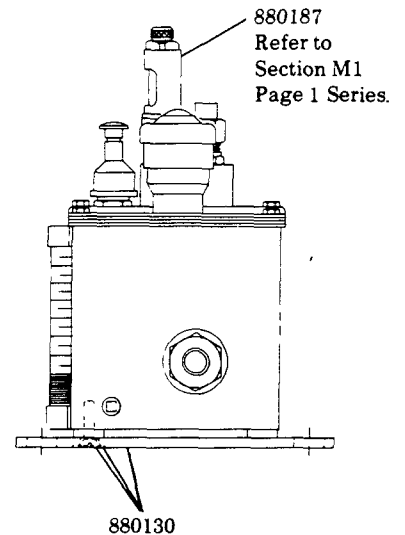
80003737.5:1
80015175:1
80016037.5:1

DRIVE ADAPTATION

For Cast Aluminum or
Steel Fabricated Reservoir
Refer to Section M3
Page 7
For Formed Steel Reservoir
Refer to Section M3
Page 20



34622 included with pumps,
slot covers and filler.



© Indicates Change

SERVICE PARTS

PART	QUAN.	DESCRIPTION
32090	2	Cover gasket end
32091-3	2	Cover gasket strip
34622	As req'd	Gasket
67007	2	Drain plug
68220	1	#3 Woodruff key
69944	1	Strainer
360659	1	Cover plate
880085	1	Filler assembly
880093	As req'd	Slot cover assembly
880130	2	Bracket assembly
880150	1	Gauge glass assembly
880187	As req'd	Model "55" pump assembly

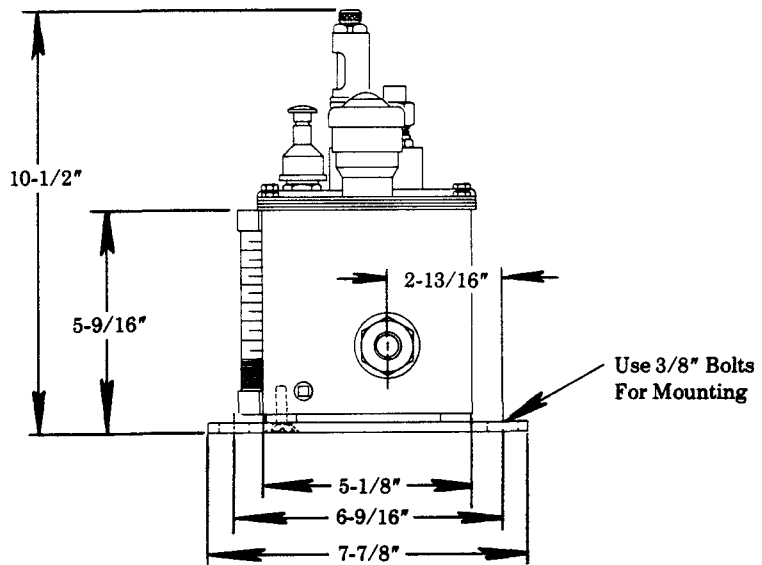
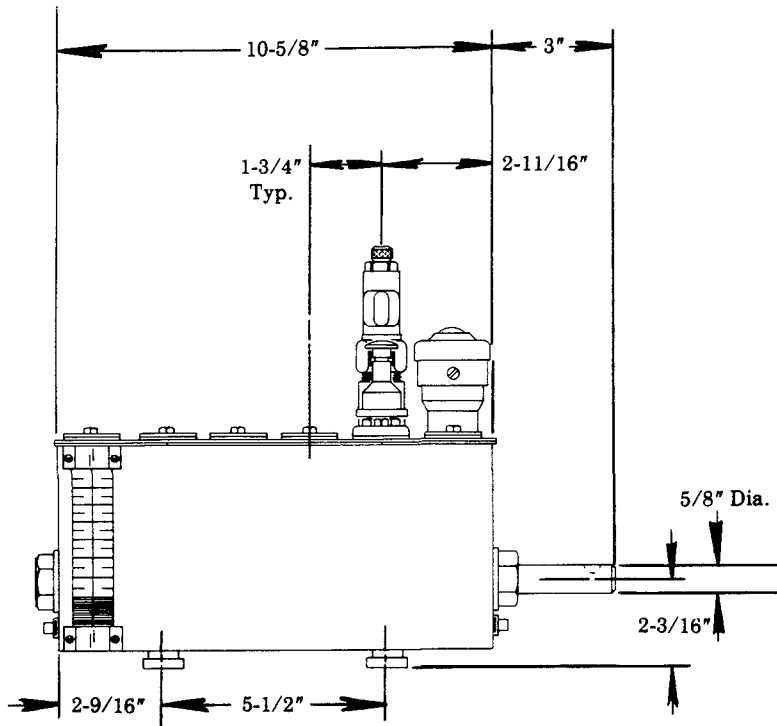
LINCOLN

A PENTAIR COMPANY

One Lincoln Way
St. Louis, Missouri 63120-1578
(314) 679-4300

© Copyright 1991
Printed in U.S.A.

SECTION - M2
PAGE - 26C



RETAIN THIS INFORMATION FOR FUTURE REFERENCE

When ordering replacement parts, list: Part Number, Description, Model Number, and Series Letter.

LINCOLN provides a Distributor Network that stocks equipment and replacement parts.