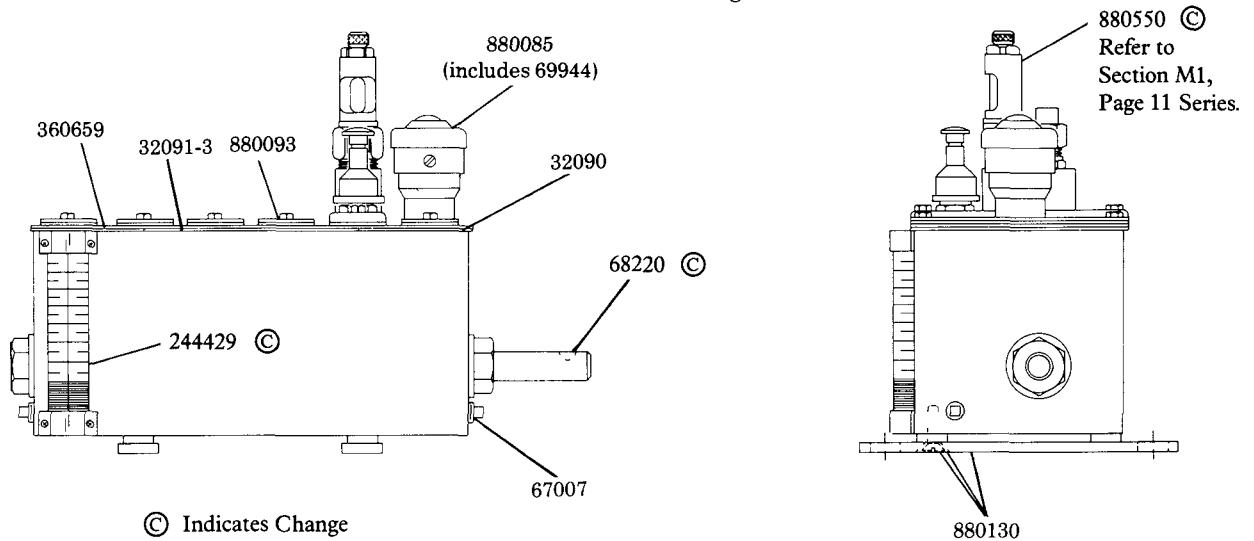


R.H. END ROTARY DRIVE
2 QT. RESERVOIR
37.5:1 RATIO

DRIVE ADAPTATION

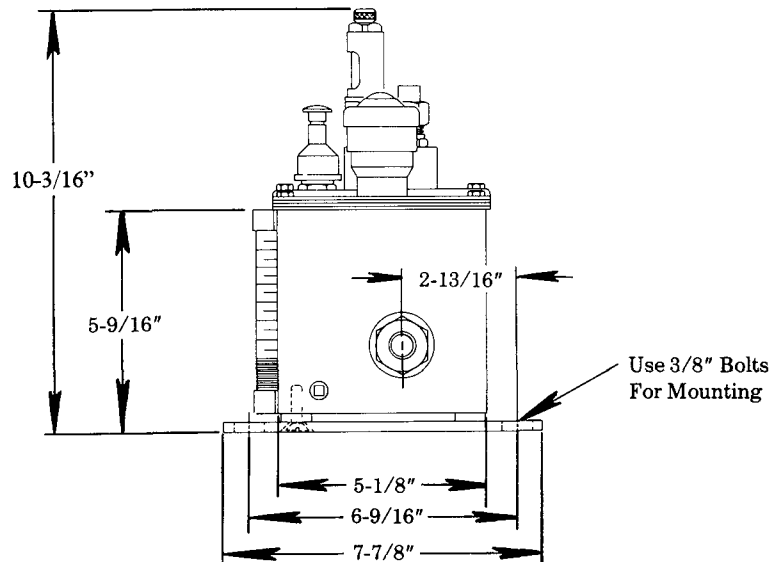
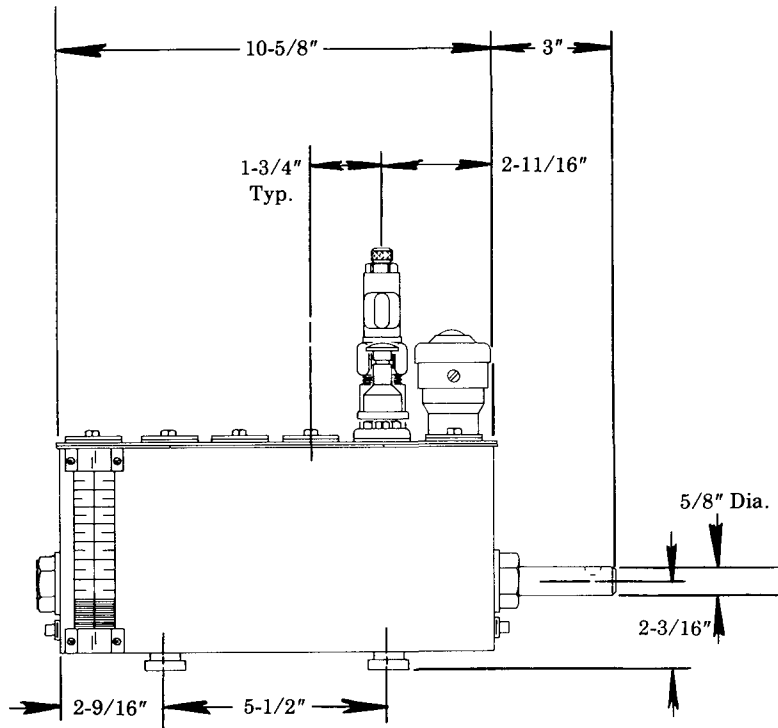
Refer to Section M3
Page 20



NOTE: Part numbers on this page are correct, although drawing may not accurately illustrate current production components.

SERVICE PARTS

Part	Qty.	Description
32090	2	Cover gasket end
32091-3	2	Cover gasket strip
67007	2	Drain plug
68220	1	#3 Woodruff key
69944	1	Strainer
244429	1	Fluid level gauge
360659	1	Cover plate
880085	1	Filler assembly
880093	As req'd	Slot cover assembly
880130	2	Bracket assembly
880550	As req'd	Model "55i" pump assembly



RETAIN THIS INFORMATION FOR FUTURE REFERENCE

When ordering replacement parts, list: Part Number, Description, Model Number, and Series Letter.

LINCOLN provides a Distributor Network that stocks equipment and replacement parts.