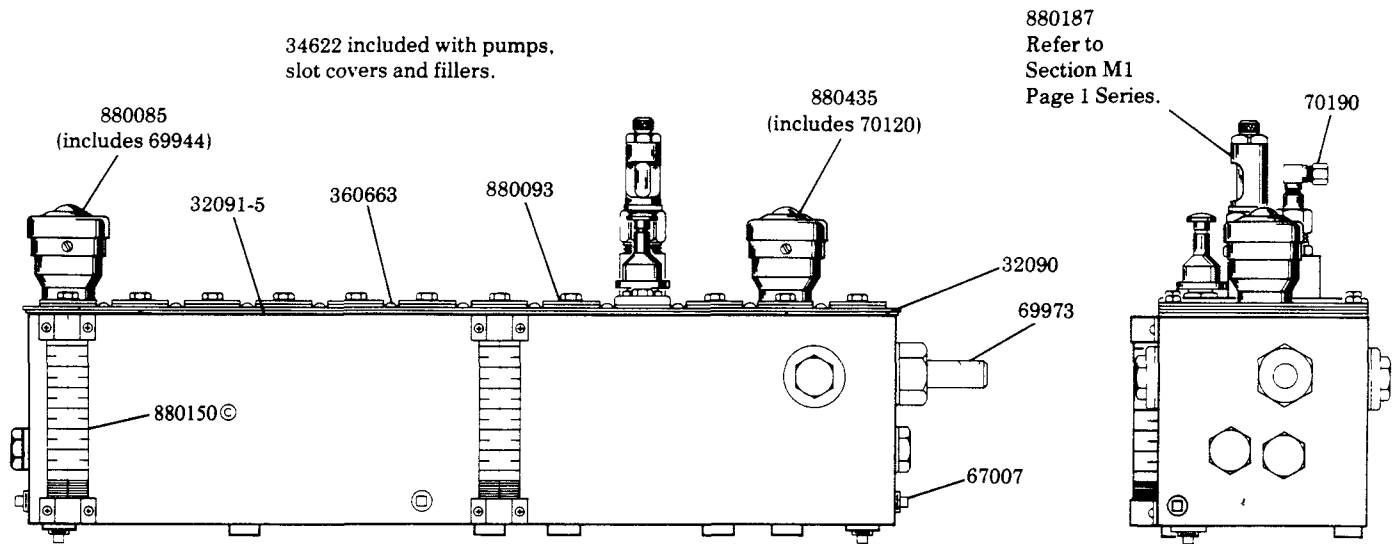


Modular Lube®

Model Nos. 800013, 800613 & 800676 Series LUBRICATOR

Series "C"

R.H. END DRIVE
1.5 GALLON RESERVOIR
INCLUDES BUNA-N OIL SEALS



© Indicates Change

MODEL	RATIO	67007	70190	880150 ©	880085	DRIVE PAGE REFERENCE
800013	111:1	5 req'd	One per Pump	2 req'd	1 req'd	M3-2 Series
800613	111:1	3 req'd	One per Pump	1 req'd	—	M3-2 Series
800676	37.3:1	5 req'd	—	2 req'd	1 req'd	M3-41 Series

SERVICE PARTS

PART	QUAN.	DESCRIPTION
32090	2	Cover gasket end
32091-5	2	Cover gasket strip
34622	As req'd	Gasket
67007	*	Drain plug
69944	As req'd	Strainer
69973	1	#5 Woodruff key
70120	1	Strainer
70190	*	1/4" O.D. Tube connector
360663	1	Cover plate
880085	*	Filler assembly
880093	As req'd	Slot cover assembly
880150	*	Gauge glass assembly
880187	As req'd	Model "55" pump assembly
880435	1	Filler assembly

* See Chart

LINCOLN

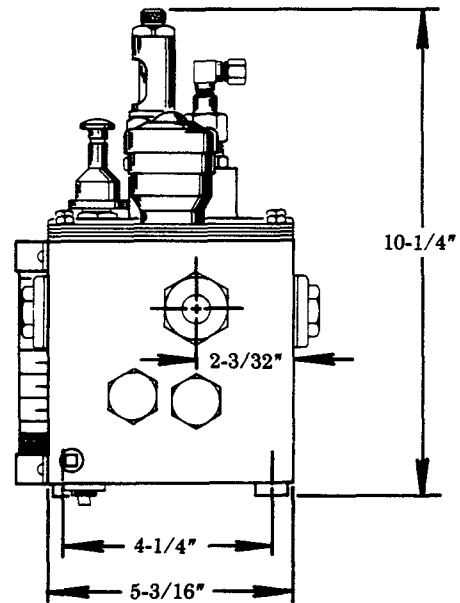
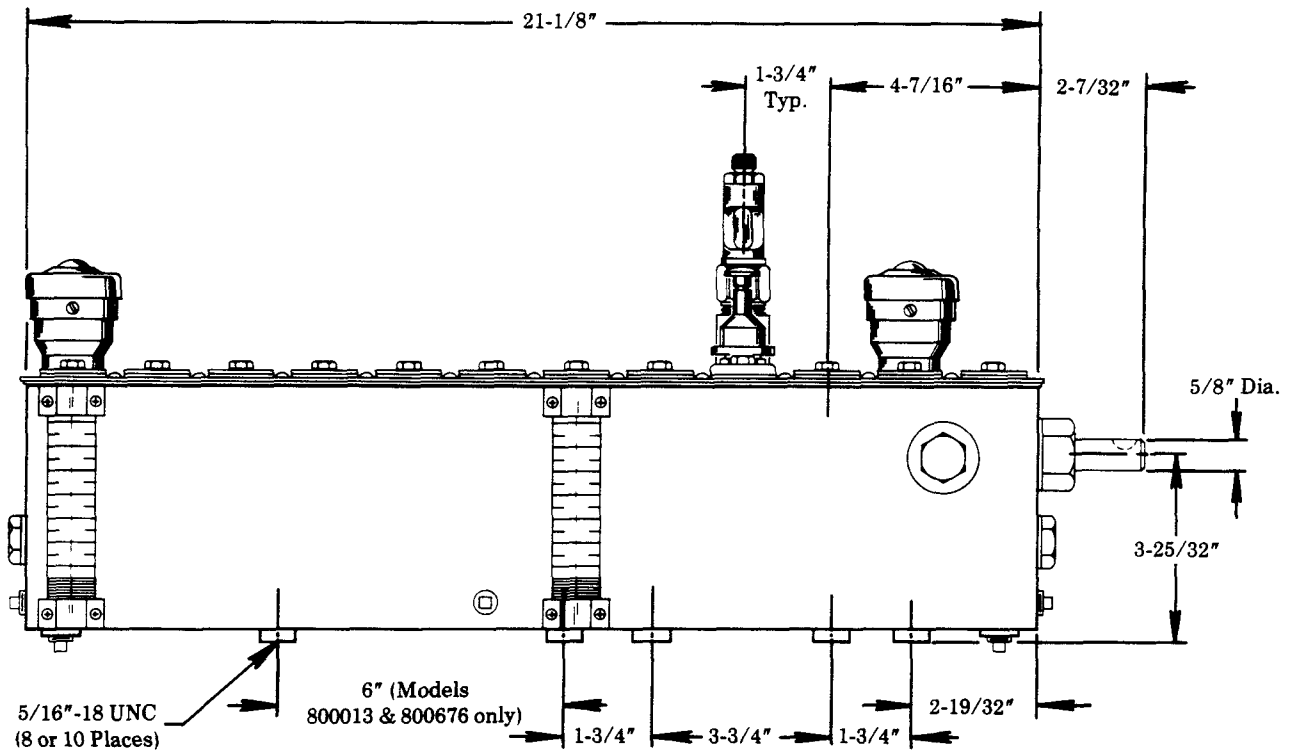
A PENTAIR COMPANY

One Lincoln Way
St. Louis, Missouri 63120-1578
(314) 679-4300

© Copyright 1991
Printed in U.S.A.

SECTION - M2
PAGE - 2B

Form 402261



RETAIN THIS INFORMATION FOR FUTURE REFERENCE

When ordering replacement parts, list: Part Number, Description, Model Number, and Series Letter.

LINCOLN provides a Distributor Network that stocks equipment and replacement parts.