

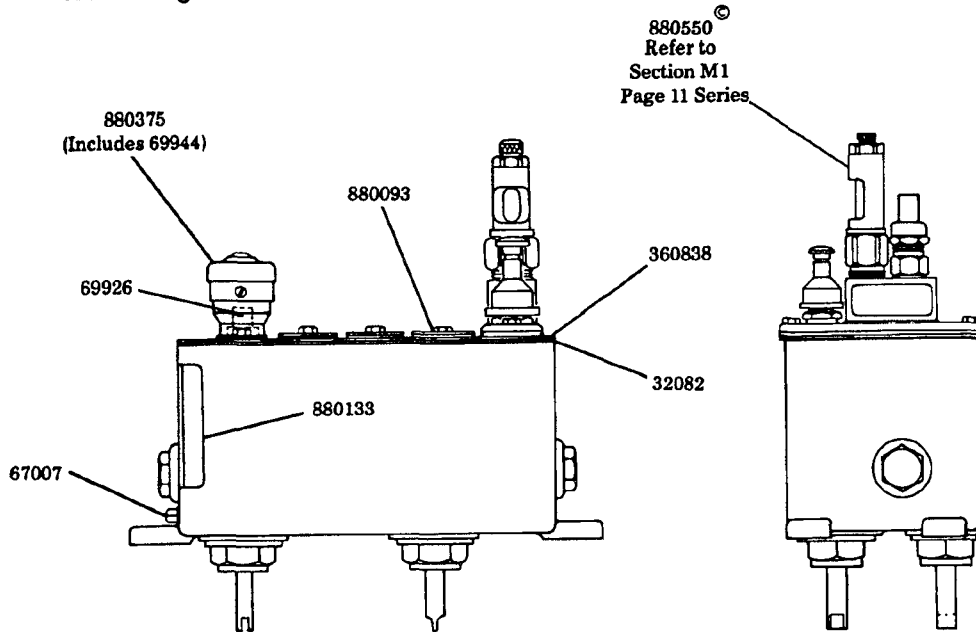
800192-Includes Buna-N Oil Seals

**R.H. BOTTOM VERTICAL ROTARY  
WITH FILTER DRIVE  
30:1 RATIO 2 QT. RESERVOIR**

**DRIVE ADAPTATION**

Refer to Section M3  
Page 16 Series.

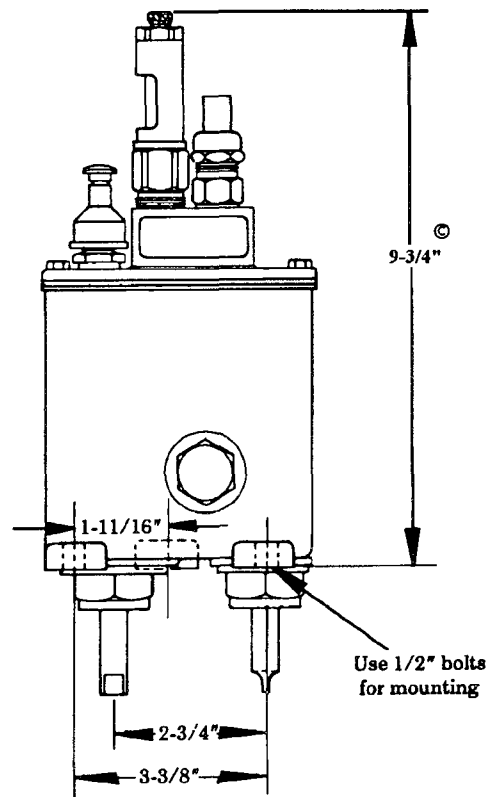
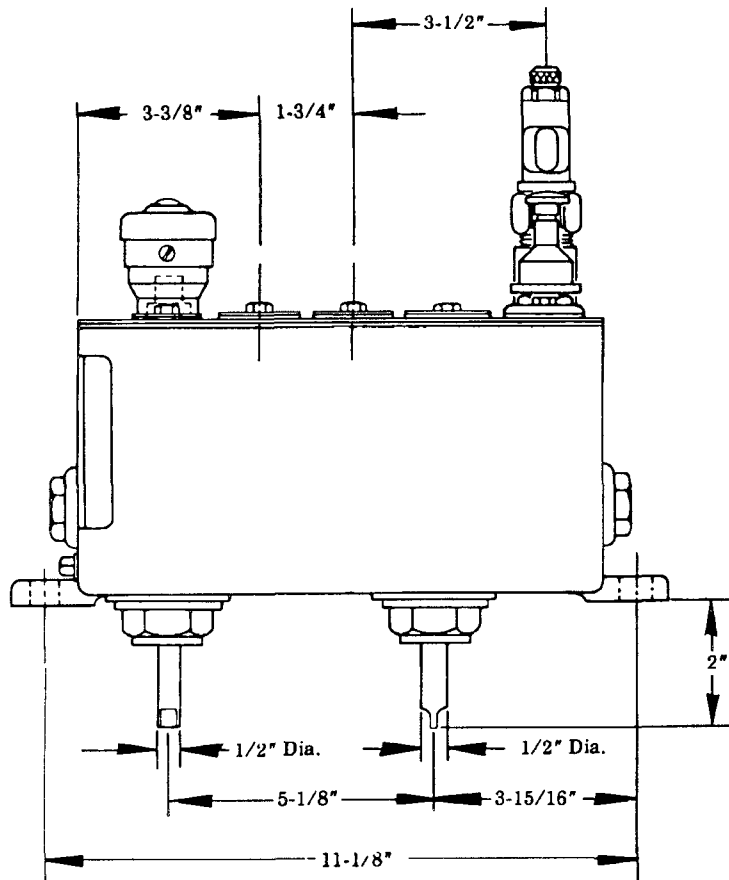
© Indicates Change



**NOTE:** Part numbers listed on this page are correct, although drawing may not accurately illustrate current production components.

**SERVICE PARTS**

Part	Qty.	Description
32082	1	Cover gasket
67007	1	Drain plug
69926	1	Groove pin
69944	1	Strainer
360838	1	Cover plate
880093	As req'd	Slot cover assembly
880133	1	Gauge glass assembly
880375	1	Filler assembly
880550	As req'd	Model "55i" pump assembly



**RETAIN THIS INFORMATION FOR FUTURE REFERENCE**

When ordering replacement parts, list: Part Number, Description, Model Number, and Series Letter.

LINCOLN provides a Distributor Network that stocks equipment and replacement parts.