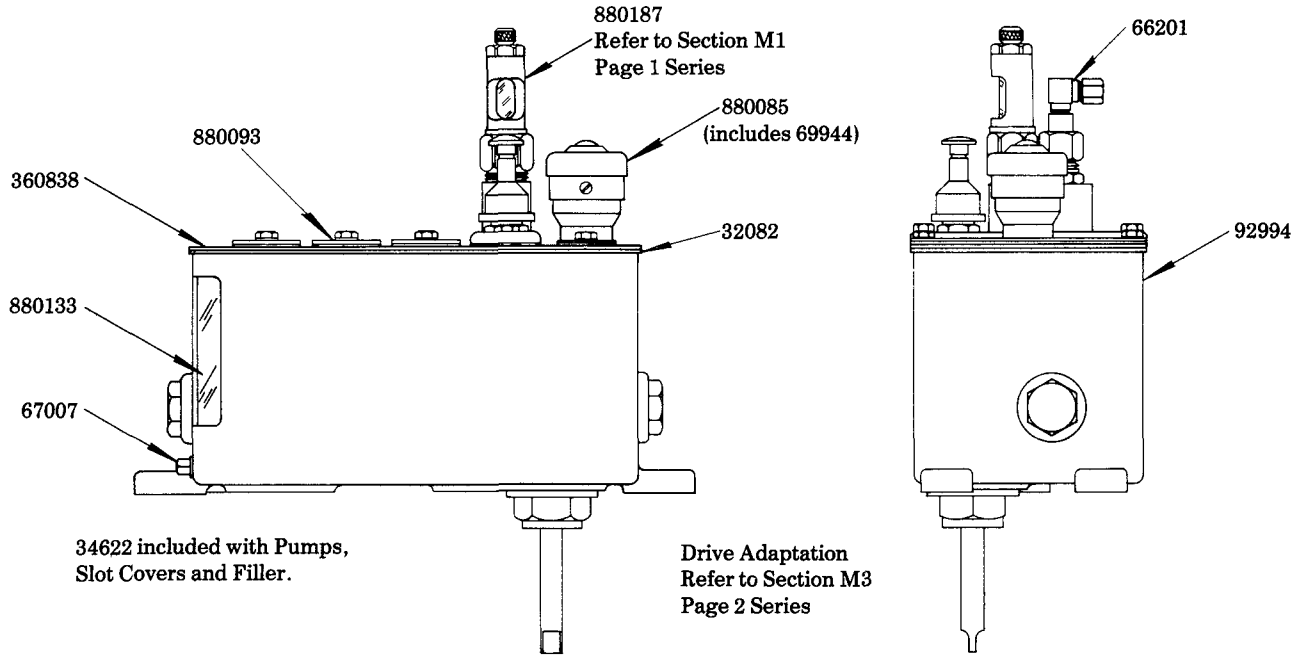


LUBRICATOR
R.H. BOTTOM VERTICAL DRIVE
30 : 1 RATIO
2 QT. RESERVOIR



Model 800231 SERIES



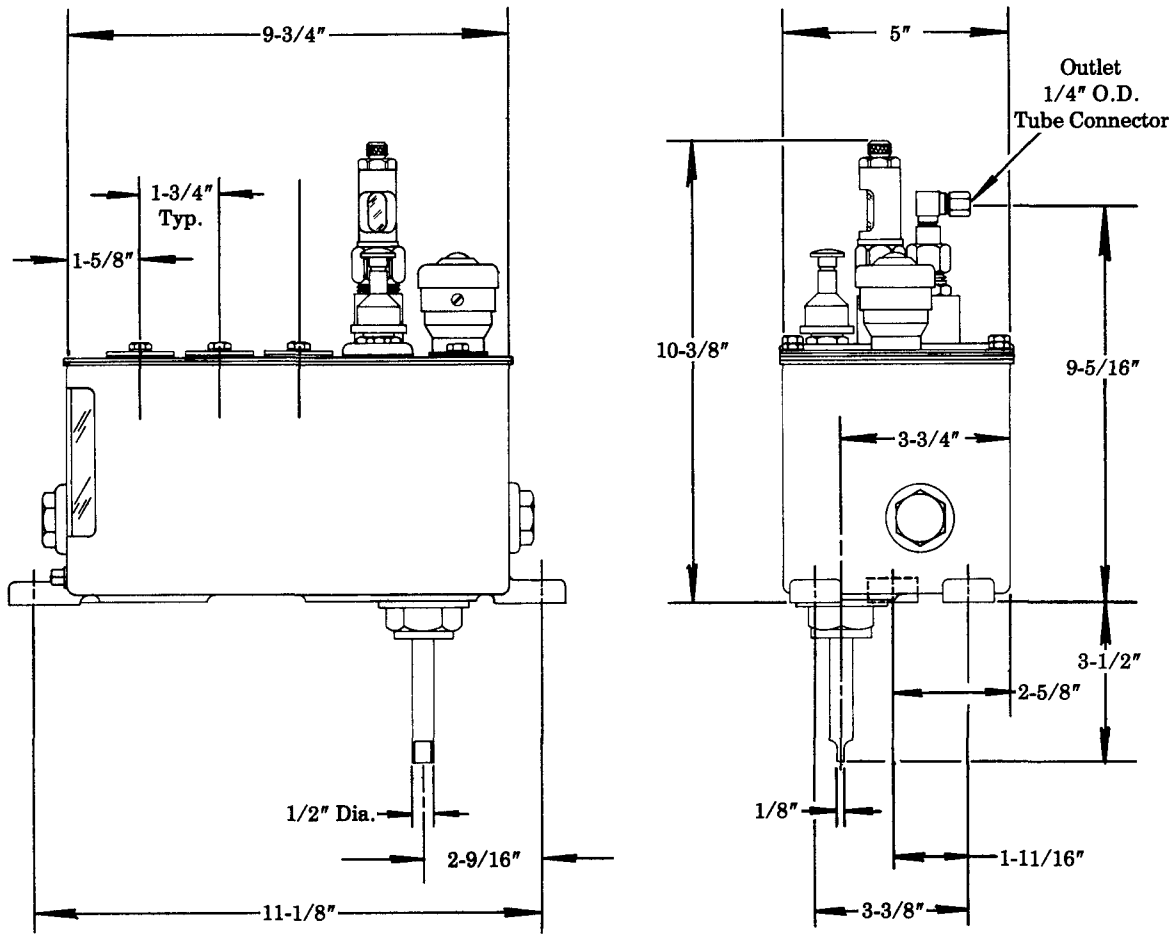
SERVICE PARTS

PART NO.	QUAN.	DESCRIPTION
32082	1	Cover Gasket
34622	As Req'd.	Gasket
66201	As Req'd.	90° Tube Connector
67007	1	Drain Plug
69944	1	Strainer
92994	1	Reservoir
360838	1	Cover Plate
880085	1	Filler Assembly
880093	As Req'd.	Slot Cover Assembly
880133	1	Gauge Glass Assembly
880187	As Req'd.	Model "55" Pump

LINCOLN ST. LOUIS
 4010 GOODFELLOW BLVD. • ST LOUIS, MO 63120 • (314) 383-5900



SECTION - M2
PAGE - 4



RETAIN THIS INFORMATION FOR FUTURE REFERENCE

When ordering replacement parts, list: Part Number, Description, Model Number, and Series Letter.
 LINCOLN ST. LOUIS provides a Distributor Network that stocks equipment and replacement parts.