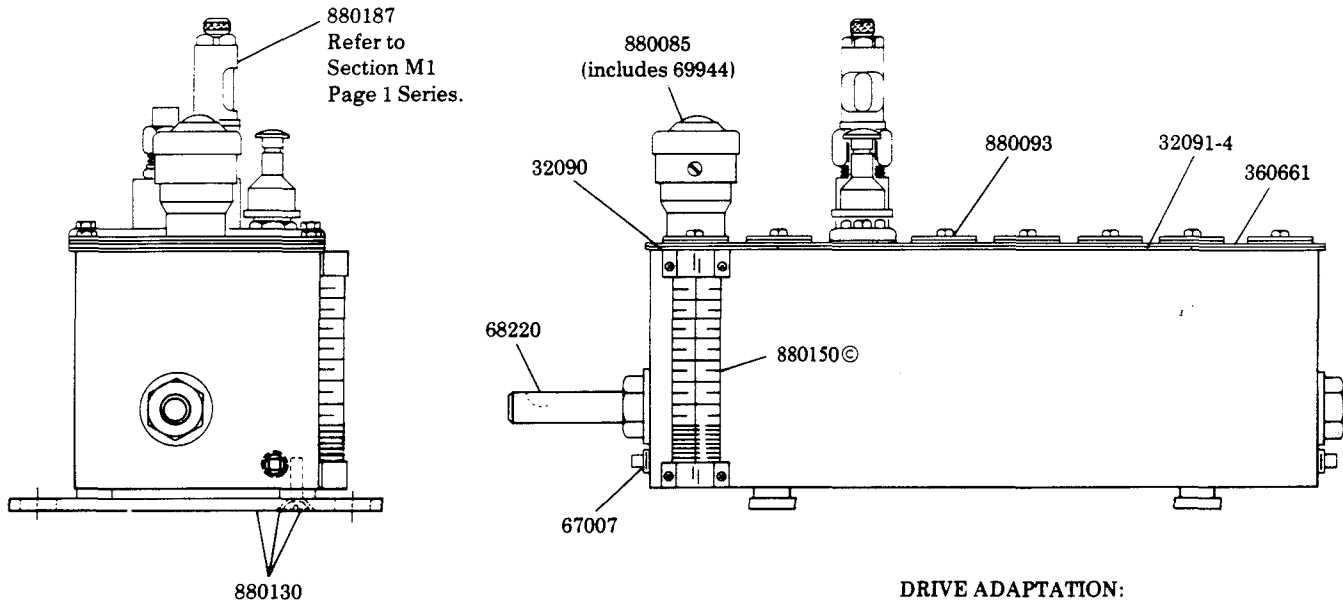


L.H. END ROTARY DRIVE
1 GALLON RESERVOIR
CONTAINS BUNA-N OIL SEALS

RATIO

800019 ----37.5:1
800181 -----75:1

34622 included with pumps,
slot covers and filler.

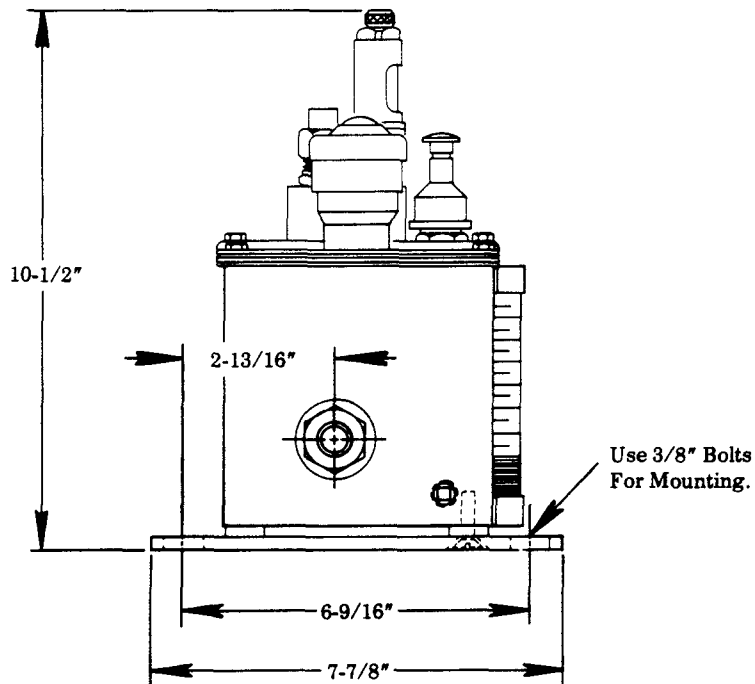
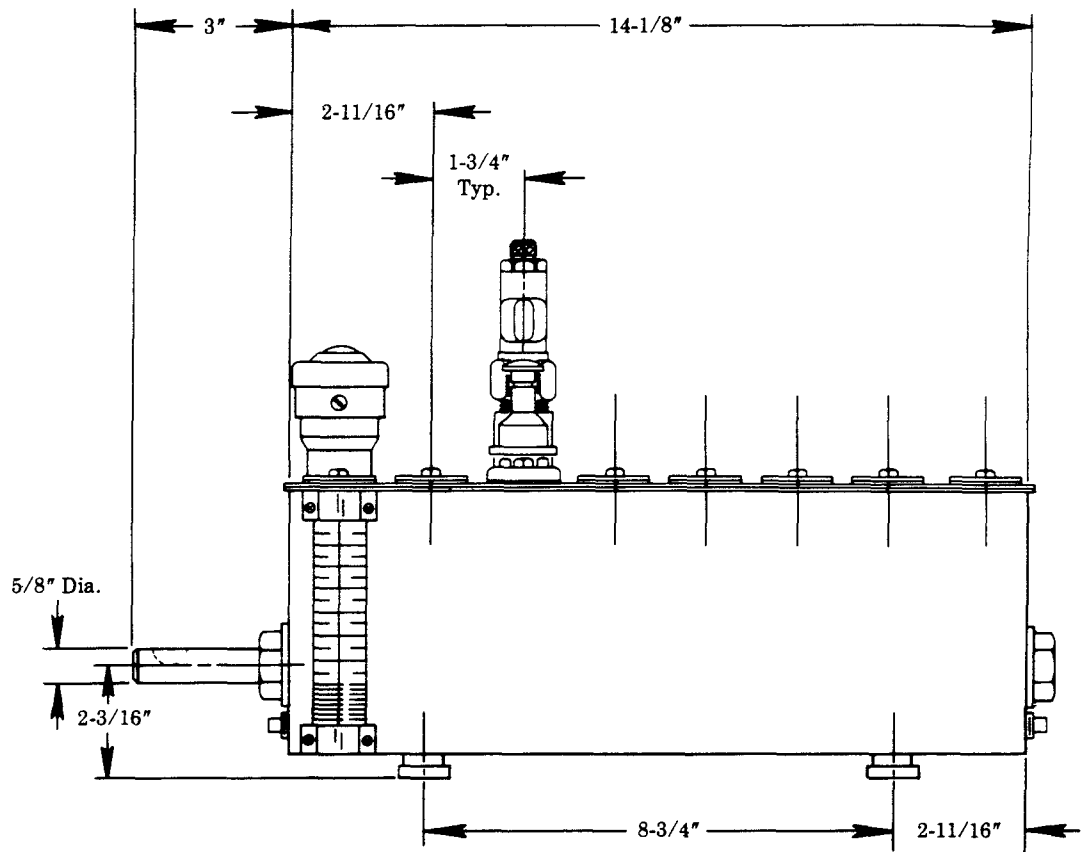


© Indicates Change

DRIVE ADAPTATION:
Refer to Section M3
Page 20 Series.

SERVICE PARTS

Part	Qty.	Description
32090	2	Cover gasket end
32091-4	2	Cover gasket strip
34622	As req'd	Gasket
67007	2	Drain plug
68220	1	#3 Woodruff key
69944	1	Strainer
360661	1	Cover plate
880085	1	Filler assembly
880093	As req'd	Slot cover assembly
880130	2	Bracket assembly
880150	1	Gauge glass assembly
880187	As req'd	Model "55" pump assembly



RETAIN THIS INFORMATION FOR FUTURE REFERENCE

When ordering replacement parts, list: Part Number, Description, Model Number, and Series Letter.

LINCOLN provides a Distributor Network that stocks equipment and replacement parts.