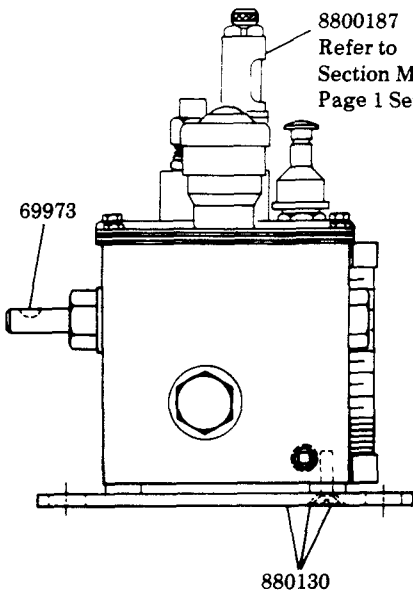
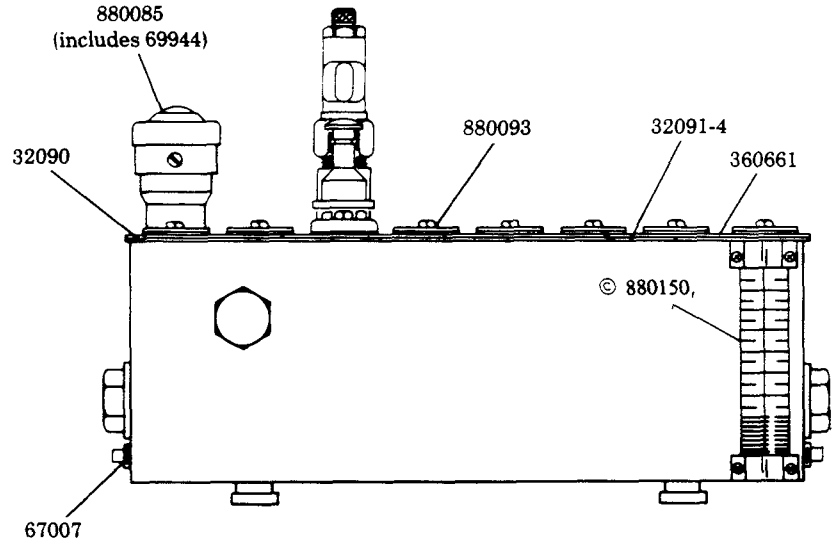


INTERNAL REAR ROTARY DRIVE  
60:1 RATIO - 1 GALLON RESERVOIR  
CONTAINS BUNA-N OIL SEALS

34622 included with pumps,  
slot covers and filler.



© Indicates Change



DRIVE ADAPTATION.  
Refer to section M3  
Page 24 Series.

### SERVICE PARTS

Part	Qty.	Description
32090	2	Cover gasket end
32091-4	2	Cover gasket strip
34622	As req'd	Gasket
67007	2	Drain plug
69944	1	Strainer
69973	1	#5 Woodruff key
360661	1	Cover plate
880085	1	Filler assembly
880093	As req'd	Slot cover assembly
880130	2	Bracket assembly
880150	1	Gauge glass assembly
880187	As req'd	Model "55" pump assembly

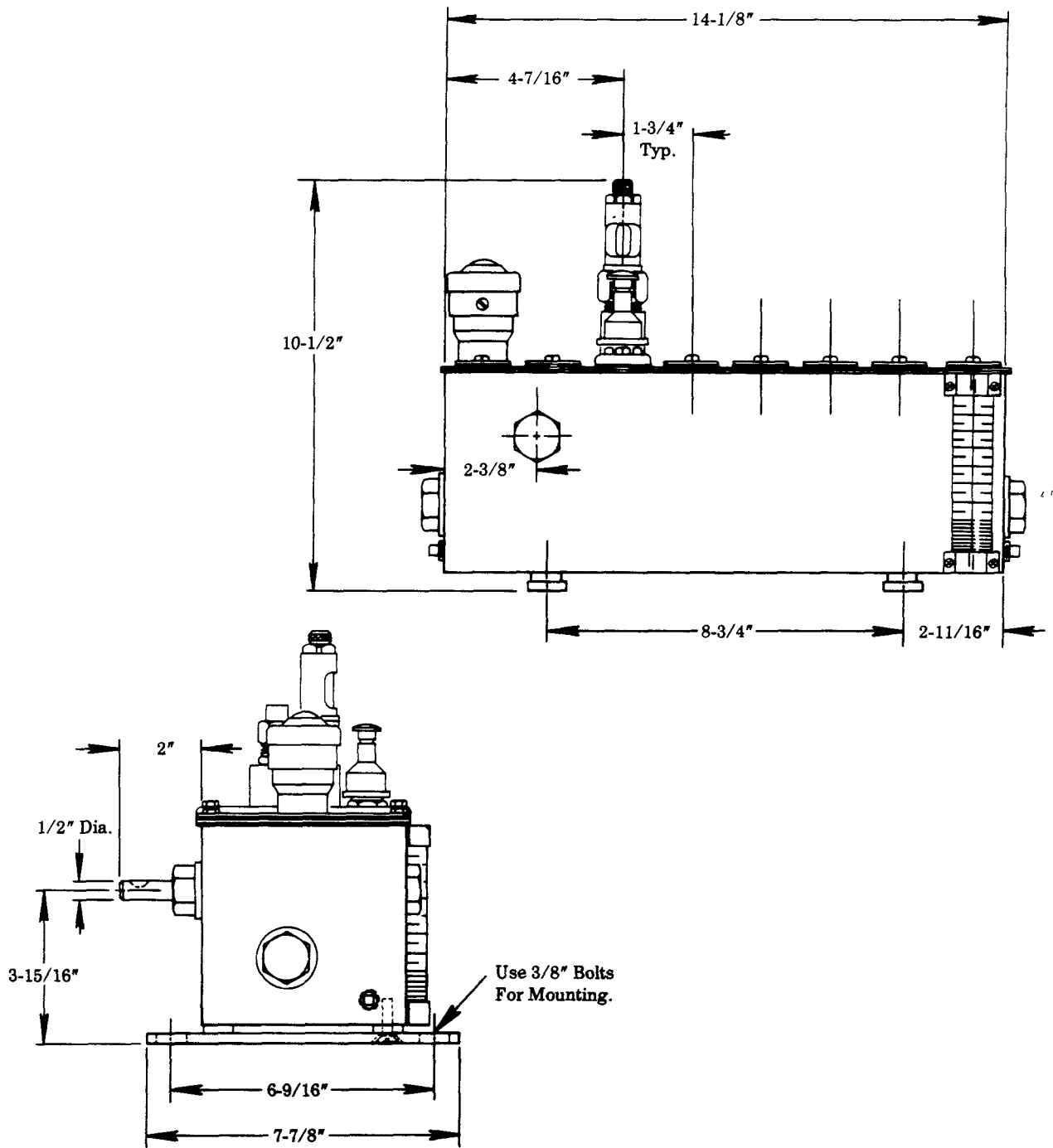
**LINCOLN**

A PENTAIR COMPANY

One Lincoln Way  
St. Louis, Missouri 63120-1578  
(314) 679-4300

© Copyright 1991  
Printed in U.S.A.

Section - M2  
Page - 42C



**RETAIN THIS INFORMATION FOR FUTURE REFERENCE**

When ordering replacement parts, list: Part Number, Description, Model Number, and Series Letter.

LINCOLN provides a Distributor Network that stocks equipment and replacement parts.