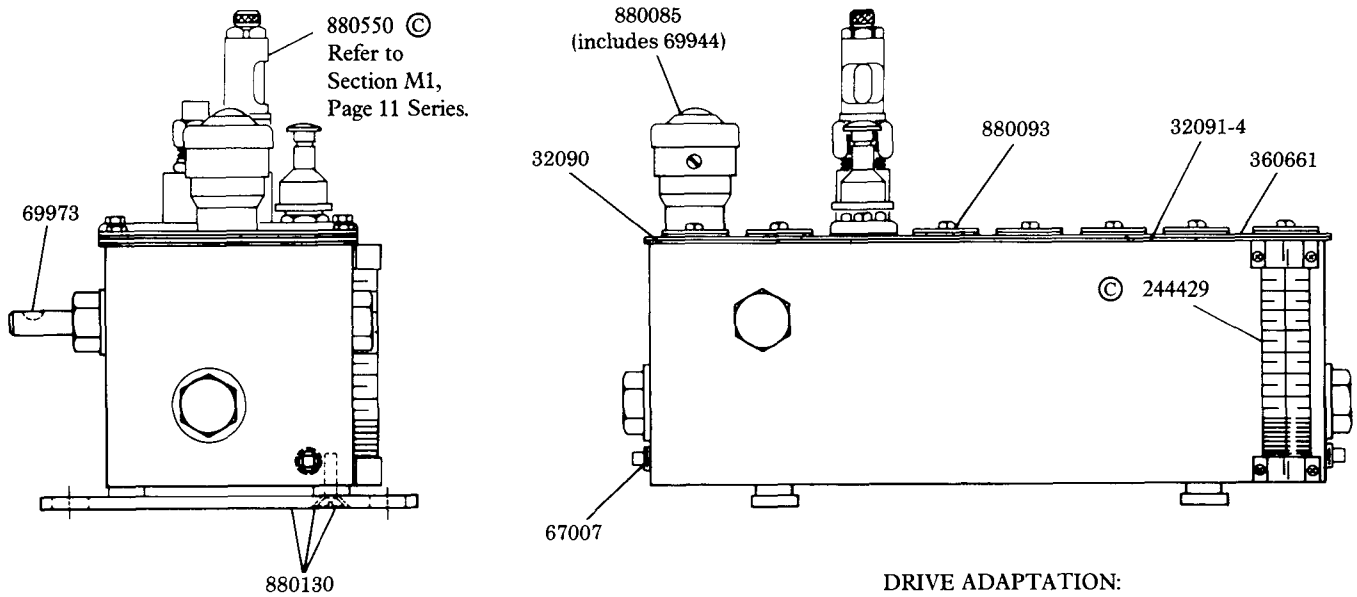


**INTERNAL REAR ROTARY DRIVE
60:1 RATIO - 1 GALLON RESERVOIR
CONTAINS BUNA-N OIL SEALS**



© Indicates Change

DRIVE ADAPTATION:
Refer to Section M3,
Page 24 Series.

NOTE: Part numbers on this page are correct, although drawing may not accurately illustrate current production components.

SERVICE PARTS

Part	Qty.	Description
32090	2	Cover gasket end
32091-4	2	Cover gasket strip
67007	2	Drain plug
69944	1	Strainer
69973	1	#5 Woodruff key
244429	1	Fluid level gauge
360661	1	Cover plate
880085	1	Filler assembly
880093	As req'd	Slot cover assembly
880130	2	Bracket assembly
880550	As req'd	Model "55i" pump assembly

LINCOLN

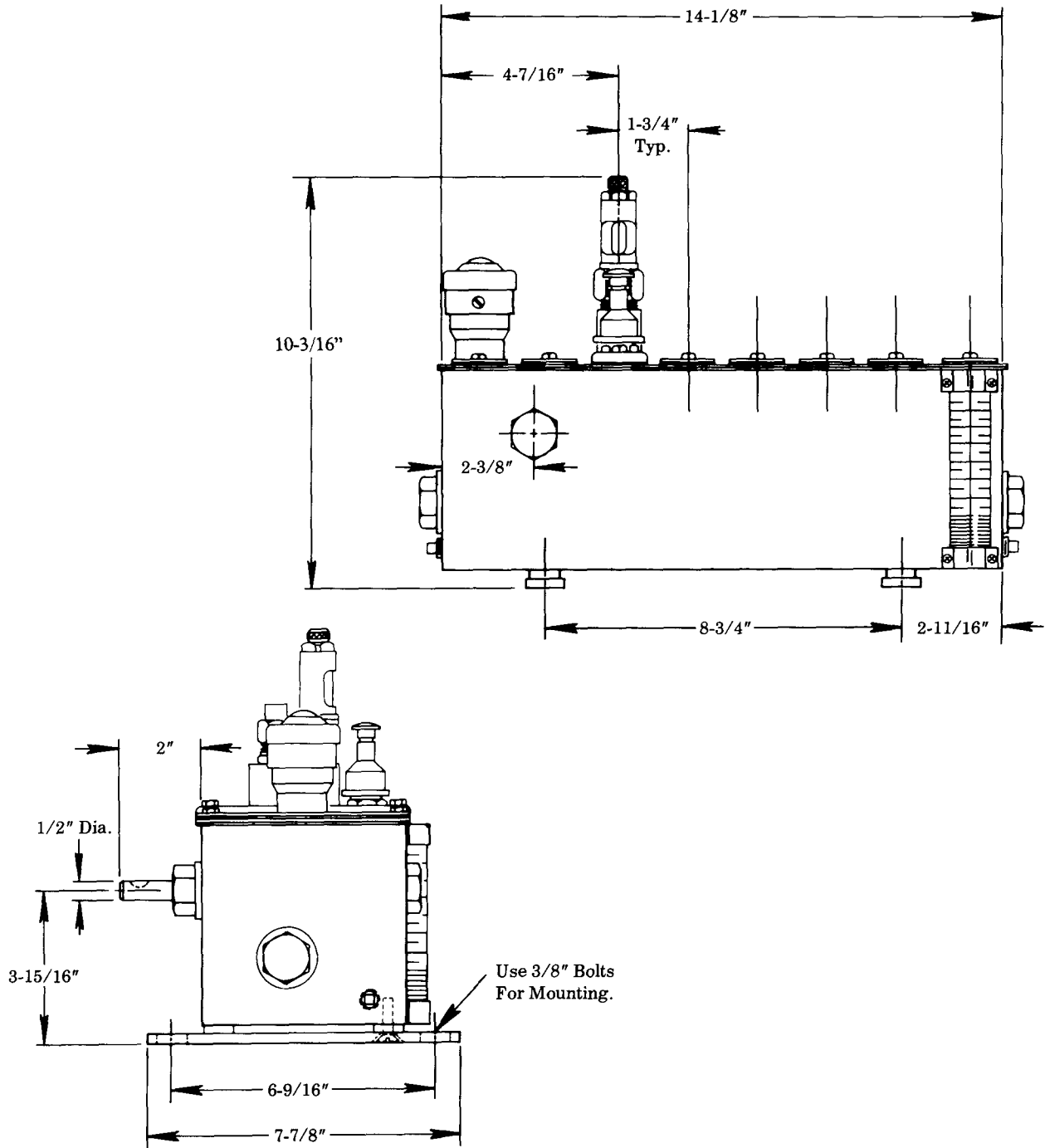
A PENTAIR COMPANY

One Lincoln Way
St. Louis, Missouri 63120-1578
(314) 679-4200

Copyright 1994
Printed in U.S.A.

Section - M2

Page - 42D



RETAIN THIS INFORMATION FOR FUTURE REFERENCE

When ordering replacement parts, list: Part Number, Description, Model Number, and Series Letter.

LINCOLN provides a Distributor Network that stocks equipment and replacement parts.