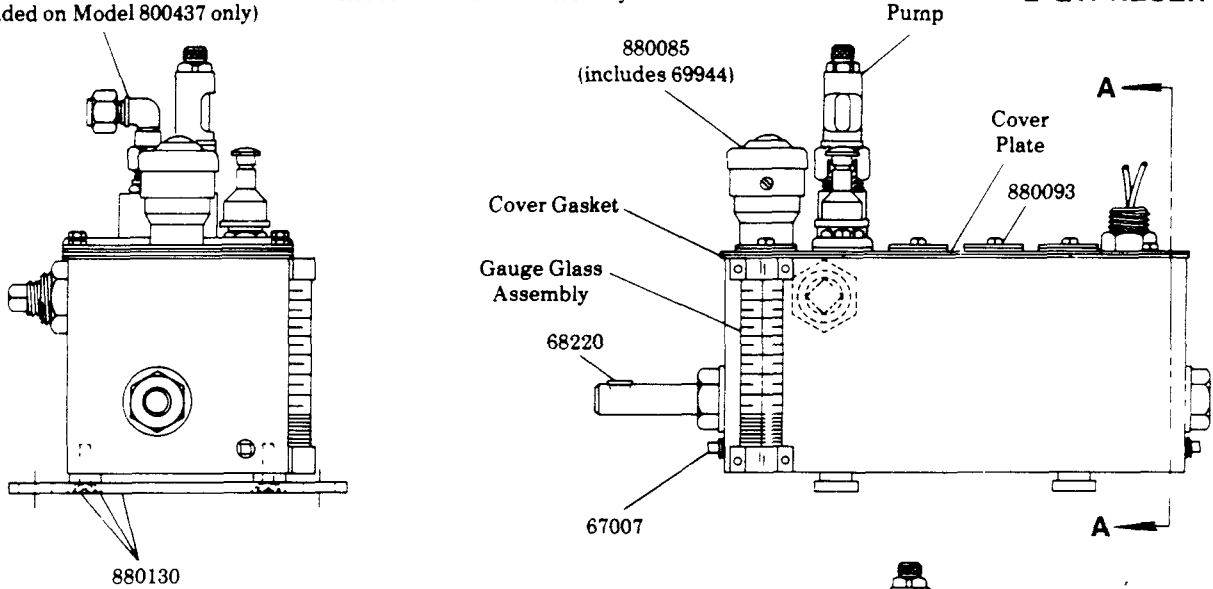


70176
Outlet for 5/16" O.D. Tubing
(included on Model 800437 only)

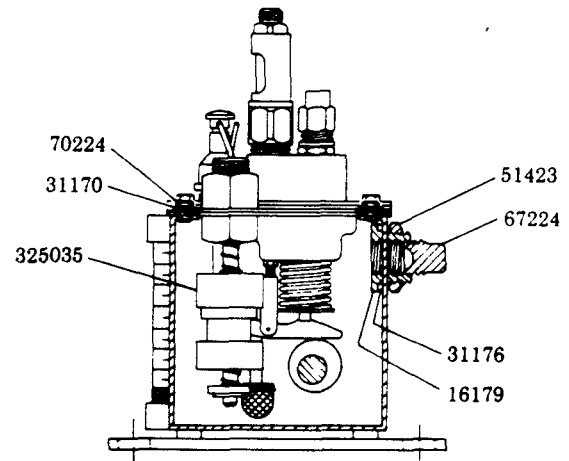
34622 included with pumps,
slot covers and filler assembly.

L.H. END DRIVE
2 QT. RESERVOIR



SERVICE PARTS

Part	Qty.	Description
16179	1	Filler flange
31170	2	Washer
31176	1	Washer
34622	As req'd	Gasket
51423	1	Nut
67007	2	Drain plug
67224	1	Pipe plug
68220	1	#3 Woodruff key
69944	1	Strainer
70176	As req'd	Elbow
70224	2	Screw
325035	1	Level switch
880085	1	Filler assembly
880093	As req'd	Slot cover assembly
880130	2	Bracket assembly



SECTION A-A

THESE PARTS INCLUDED ON MODEL 800052 ONLY.

Model	Ratio	*Pump (As req'd)	**Gauge Glass Assembly	Cover Plate	Cover Gasket		Drive Page Reference
					End	Strip	
800028	37.5:1	880187	880150©	360659	32090 (2 req'd)	32091-3 (2 req'd)	Section M3 Page 20 Series
800052	25:1	880187	880150	360751 & 360752	32090 (2 req'd)	32091-3 (2 req'd)	Section M3 Page 20 Series
800132	37.5:1	880187	880150©	360659	32090 (2 req'd)	32091-3 (2 req'd)	Section M3 Page 20 Series
800152	75:1	880330	880150©	360659	32077		Section M3 Page 7 Series
800154	75:1	880187	880150©	360659	32090 (2 req'd)	32091-3 (2 req'd)	Section M3 Page 20 Series
800437	75:1	880187	880150	360659	32077		Section M3 Page 7 Series

* Refer to Section M1
Page 1 Series.

** 880019 - For Standard Base Lubricants.
880150 - For Synthetic Base Lubricants.

© Indicates Change

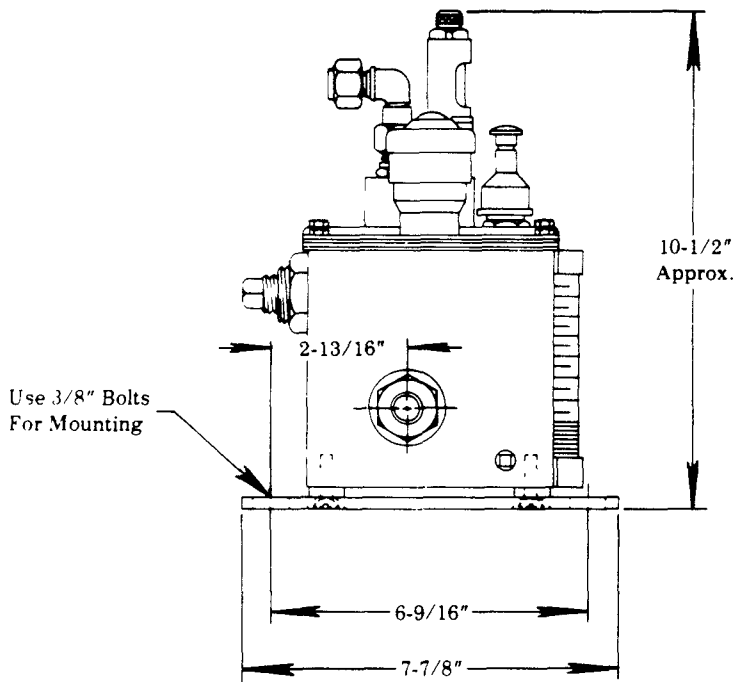
LINCOLN

A PENTAIR COMPANY

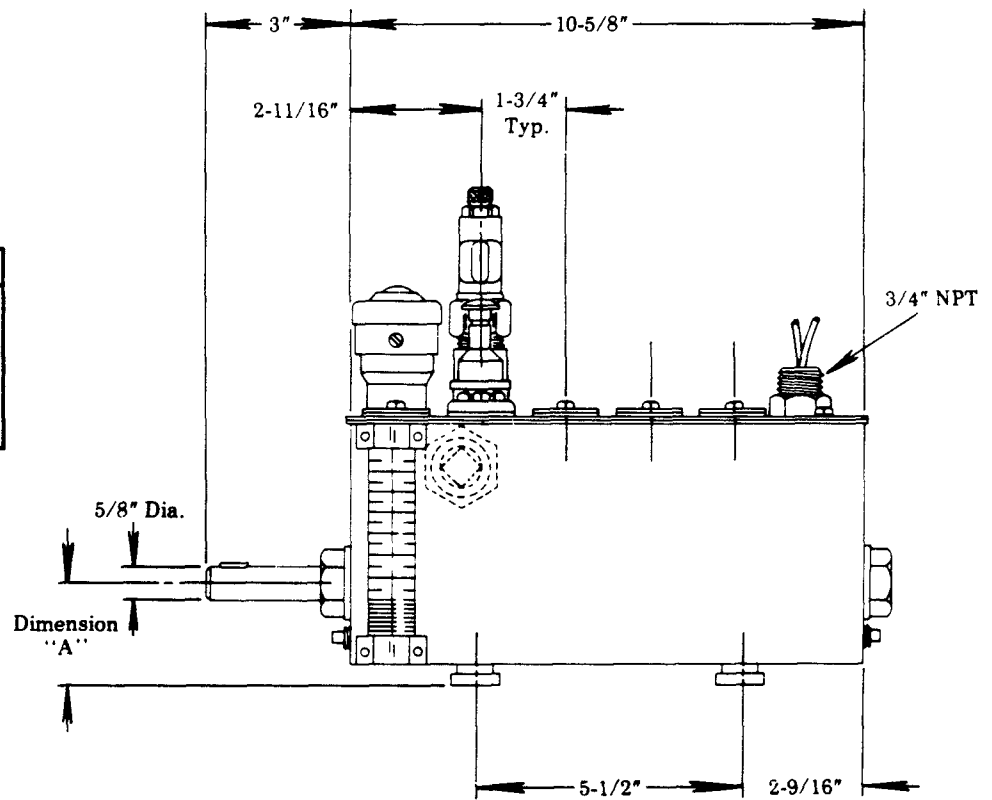
One Lincoln Way
St. Louis, Missouri 63120-1578
(314) 679-4300

© Copyright 1991
Printed in U.S.A.

Section - M2
Page - 43B



Model	Dimension "A"
800028	2-3/16"
800052	2-3/16"
800132	2-3/16"
800152	2-1/8"
800154	2-3/16"
800-37	2-1/8"



RETAIN THIS INFORMATION FOR FUTURE REFERENCE

When ordering replacement parts, list: Part Number, Description, Model Number, and Series Letter.

LINCOLN provides a Distributor Network that stocks equipment and replacement parts.