

LUBRICATOR

L.H. INTERNAL REAR ROTARY DRIVE
1 GALLON RESERVOIR
FOR SYNTHETIC LUBRICANTS

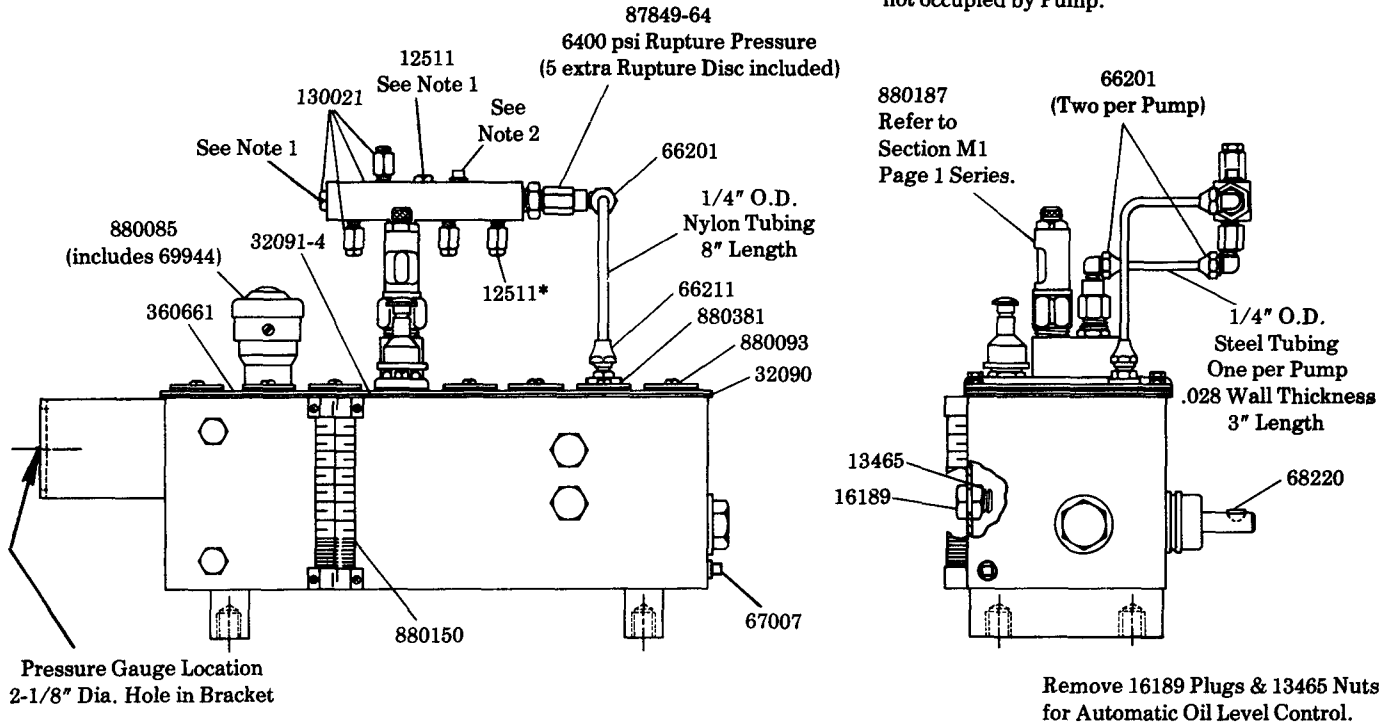


Models 800684 SERIES
800784 SERIES
Series "A"

LUBRICATOR	RATIO
800684	250:1
800784	137.5:1

34622 included with pumps,
slot covers and filler.

* One per Manifold Inlet
not occupied by Pump.



SERVICE PARTS

NOTE 1: Remove plug for
1/8" NPTF Lube Outlet.
NOTE 2: Remove plug for
1/4" NPTF Lube Outlet.

PART	QUAN.	DESCRIPTION
12511	1	Pipe plug
12511	As req'd	Pipe plug
13465	2	Nut
16189	2	Plug
32090	2	Cover gasket end
32091-4	2	Cover gasket strip
34622	As req'd	Gasket
66201	1	Tube connector
66201	As req'd	Tube connector
66211	1	Tube connector
67007	1	Drain plug
68220	1	#3 Woodruff key
69944	1	Strainer
87849-64	1	Rupture to atmosphere assembly
130021	1	Manifold assembly
360661	1	Cover plate
880085	1	Filler assembly
880093	As req'd	Slot cover assembly
880150	1	Gauge glass assembly
880187	As req'd	Model "55" pump assembly
880381	1	Slot cover assembly

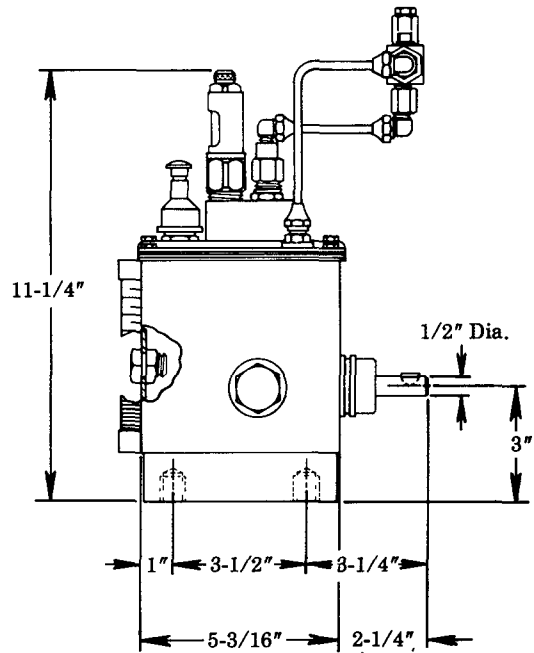
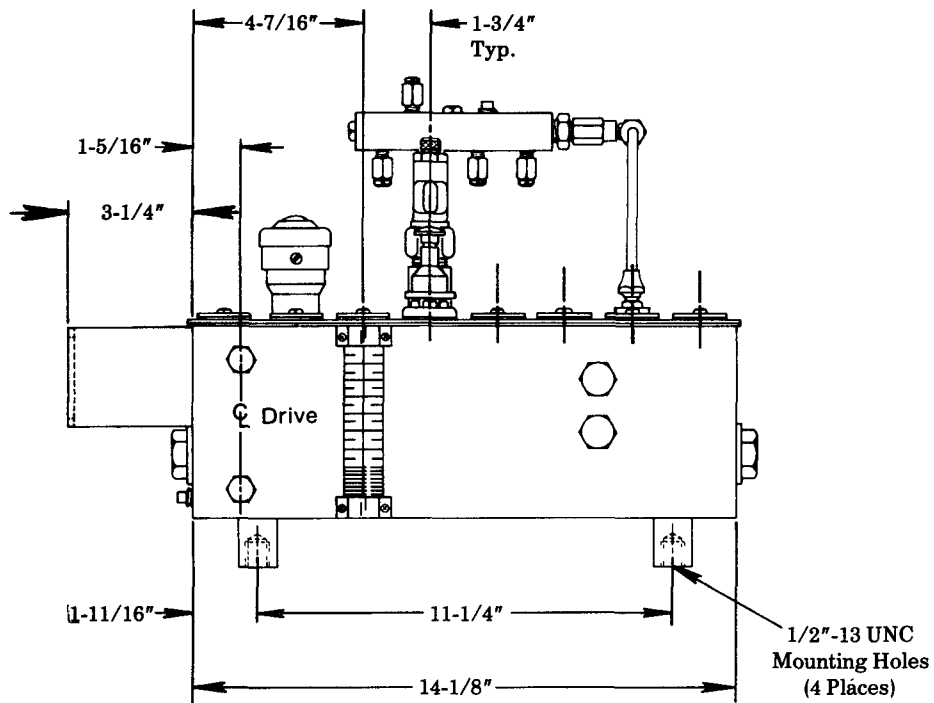
Drive Adaptation
Refer to Section M3
Page 18 Series.

LINCOLN

A PENTAIR COMPANY

One Lincoln Way
St. Louis, MO 63120-1578
(314) 679-4200
Customer Service, (314) 679-4300

SECTION - M2
PAGE - 45A



RETAIN THIS INFORMATION FOR FUTURE REFERENCE

When ordering replacement parts, list: Part Number, Description, Model Number, and Series Letter.

LINCOLN ST. LOUIS provides a Distributor Network that stocks equipment and replacement parts.