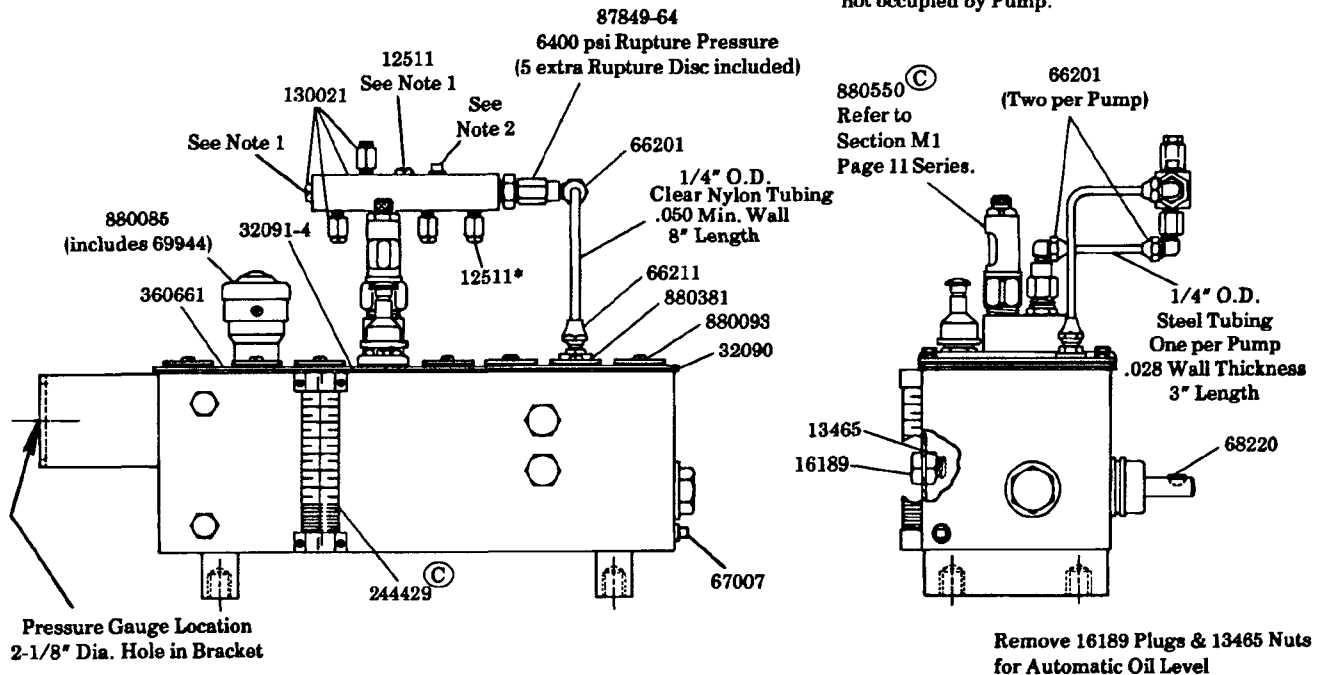


**NOTE:** Part numbers listed on this page are correct, although drawing may not accurately illustrate current production components.

**L.H. INTERNAL REAR ROTARY DRIVE  
1 GALLON RESERVOIR  
FOR SYNTHETIC LUBRICANTS  
137.5:1 RATIO**



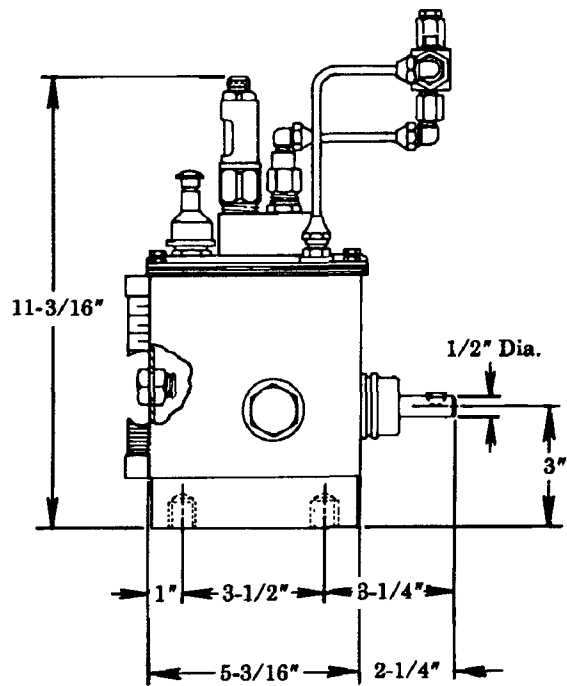
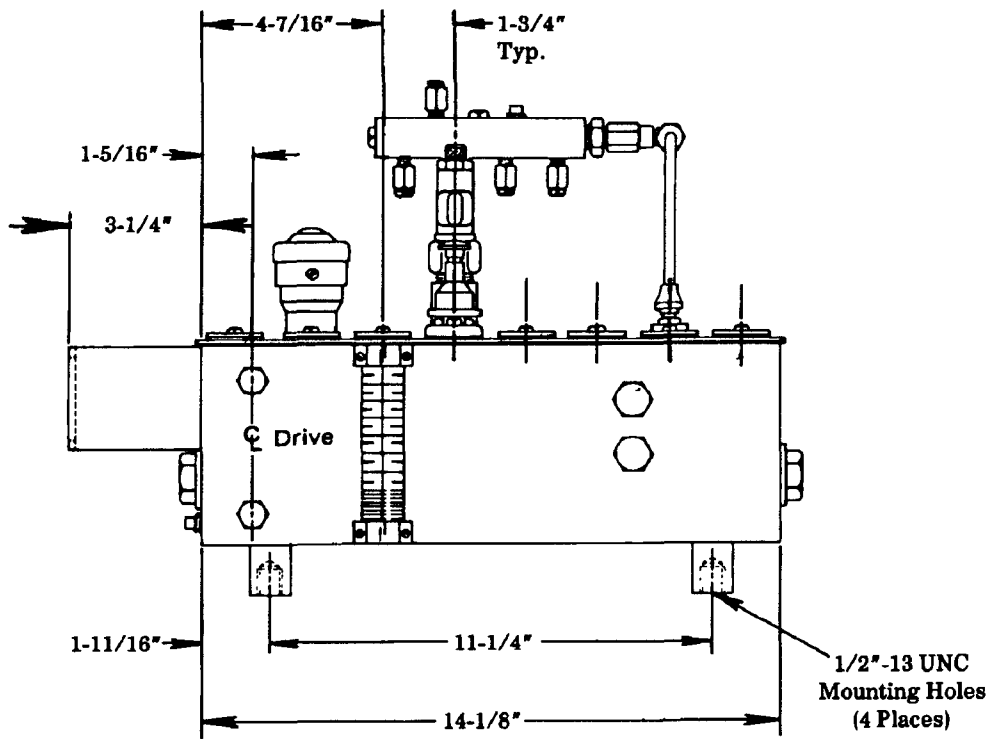
### SERVICE PARTS

**NOTE 1:** Remove plug for 1/8" NPTF Lube Outlet.  
**NOTE 2:** Remove plug for 1/4" NPTF Lube Outlet.

Part	Qty.	Description
12511	1	Pipe plug
12511	As req'd	Pipe plug
13465	2	Nut
16189	2	Plug
32090	2	Cover gasket end
32091-4	2	Cover gasket strip
66201	1	Tube connector
66201	As req'd	Tube connector
66211	1	Tube connector
67007	1	Drain plug
68220	1	#3 Woodruff key
69944	1	Strainer
87849-64	1	Rupture to atmosphere assembly
130021	1	Manifold assembly
360661	1	Cover plate
880085	1	Filler assembly
880093	As req'd	Slot cover assembly
244429	1	Fluid level gauge
880550	As req'd	Model "55i" pump assembly
880381	1	Slot cover assembly

**Drive Adaptation  
Refer to Section M3  
Page 18 Series.**

© Indicates change



**RETAIN THIS INFORMATION FOR FUTURE REFERENCE**

When ordering replacement parts, list: Part Number, Description, Model Number, and Series Letter.

LINCOLN provides a Distributor Network that stocks equipment and replacement parts.