

LUBRICATOR

R.H. INTERNAL REAR ROTARY DRIVE
80:1 RATIO - 2 QUART RESERVOIR
INCLUDES BUNA-N OIL SEALS

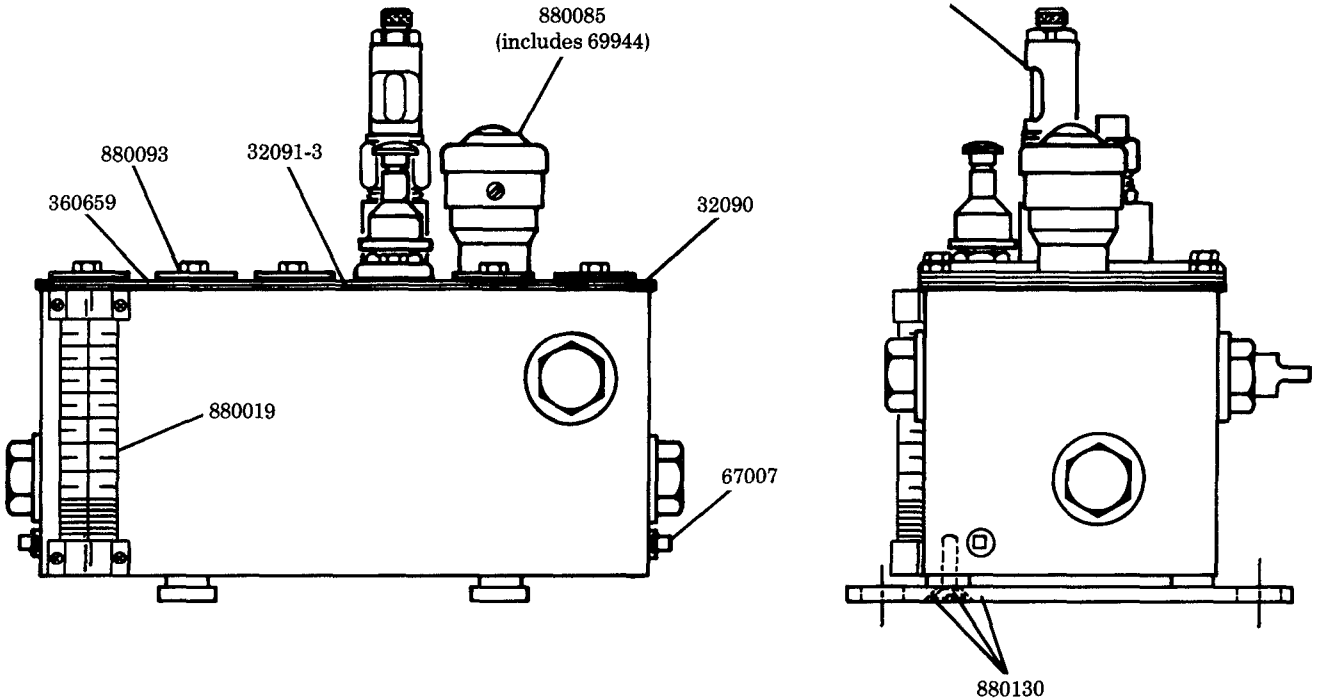


Model 800473 SERIES

Series "B"

34622 included with pumps,
slot covers and filler.

880187
Refer to Section M1
Page 1 Series.



DRIVE ADAPTATION:
Refer to Section M3
Page 24 Series.

SERVICE PARTS

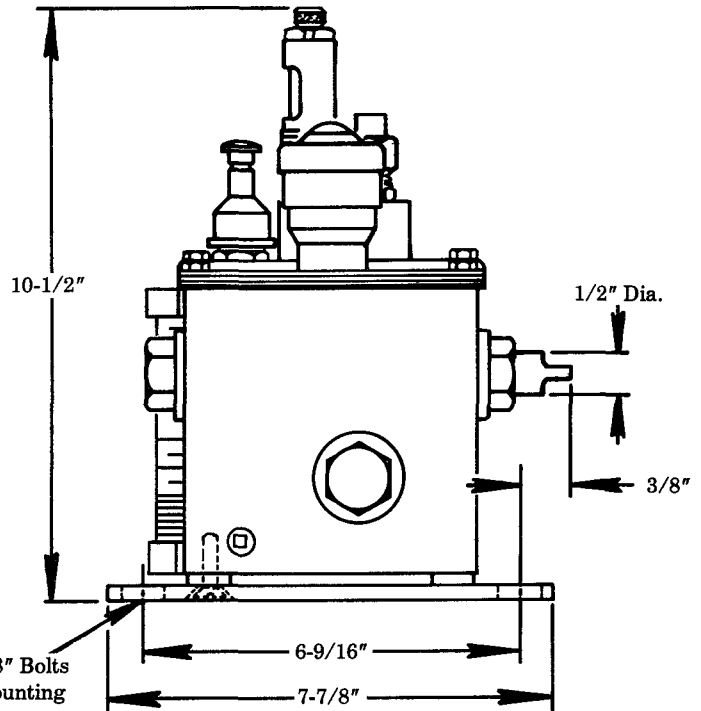
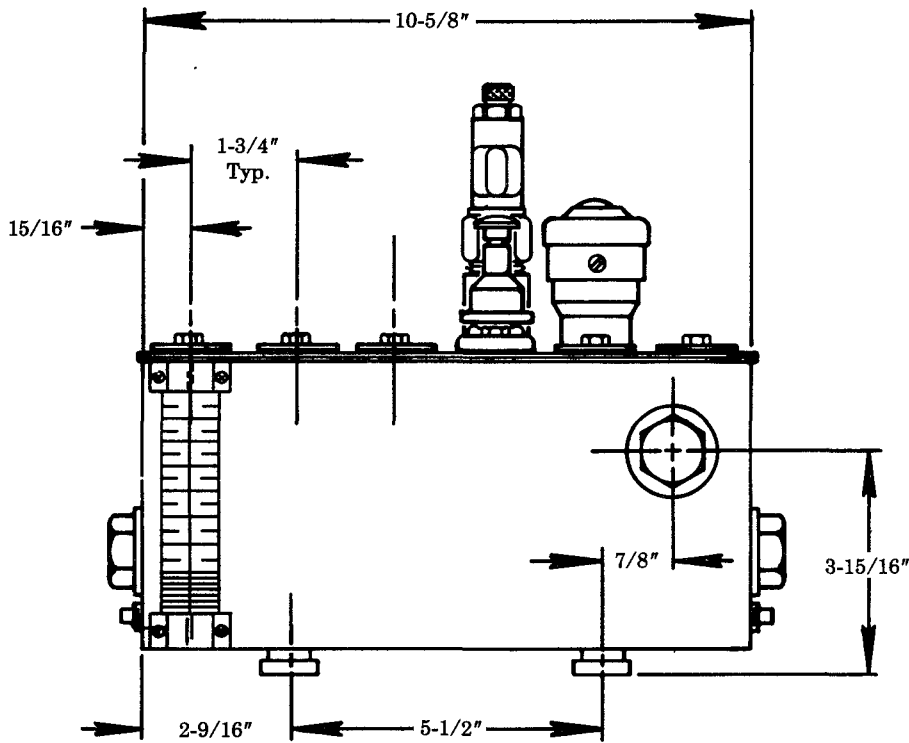
PART	QUAN.	DESCRIPTION
32090	2	Cover gasket end
32091-3	2	Cover gasket strip
34622	As req'd	Gasket
67007	2	Drain plug
69944	1	Strainer
360659	1	Cover Plate
880019	1	Gauge glass assembly
880085	1	Filler assembly
880093	As req'd	Slot cover assembly
880130	2	Bracket assembly
880187	As req'd	Model "55" pump assembly

LINCOLN ST. LOUIS
4010 GOODFELLOW BLVD • ST LOUIS, MO 63120 • (314) 383-5900



A DIVISION OF
McNEIL
CORPORATION

SECTION -M2
PAGE -47B



Use $\frac{3}{8}$ " Bolts
For Mounting

RETAIN THIS INFORMATION FOR FUTURE REFERENCE

When ordering replacement parts, list: Part Number, Description, Model Number, and Series Letter.
LINCOLN ST. LOUIS provides a Distributor Network that stocks equipment and replacement parts.