

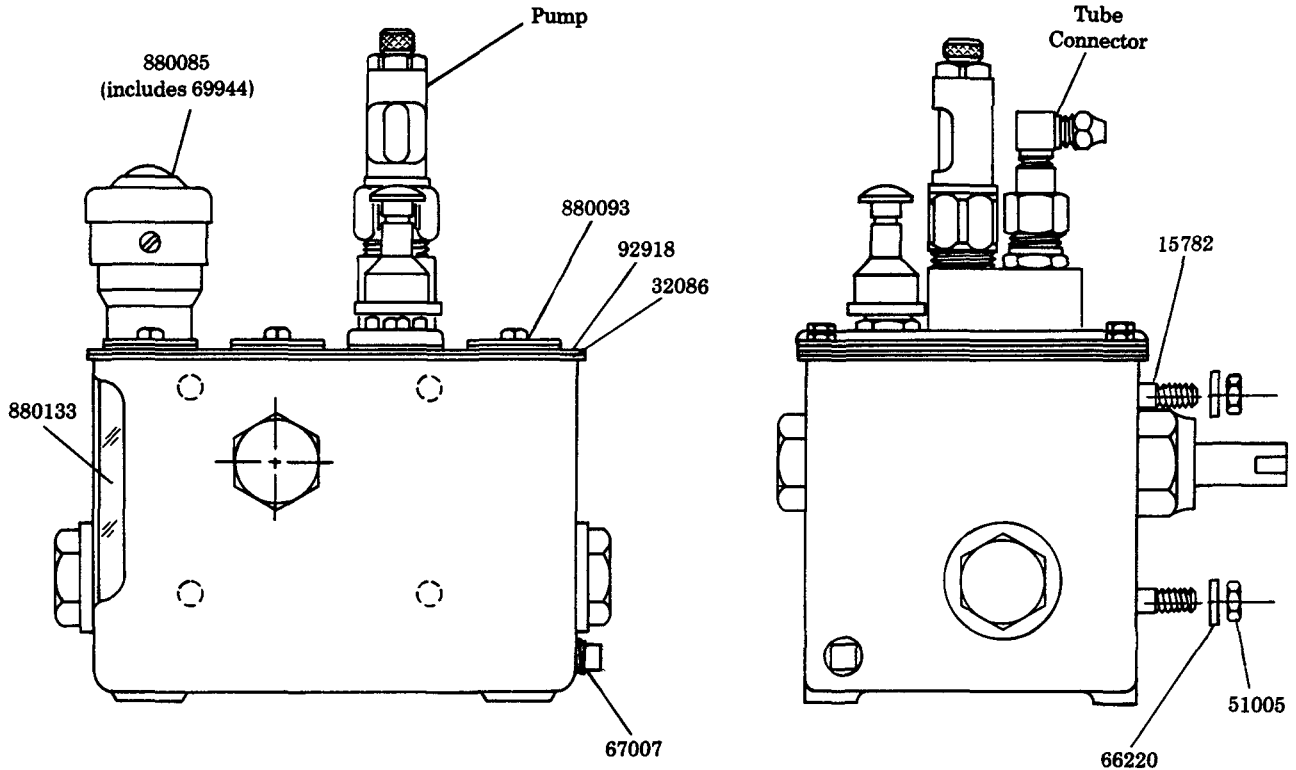
LUBRICATOR
 INTERNAL REAR ROTARY DRIVE
 3 PINT RESERVOIR
 INCLUDES BUNA-N OIL SEALS



**Models 800005
 800165 & 800469 SERIES**
Series "C"

34622 included with pumps,
 slot covers, and filler.

Drive Adaptation
 Refer to Section M3
 Page 22 Series.



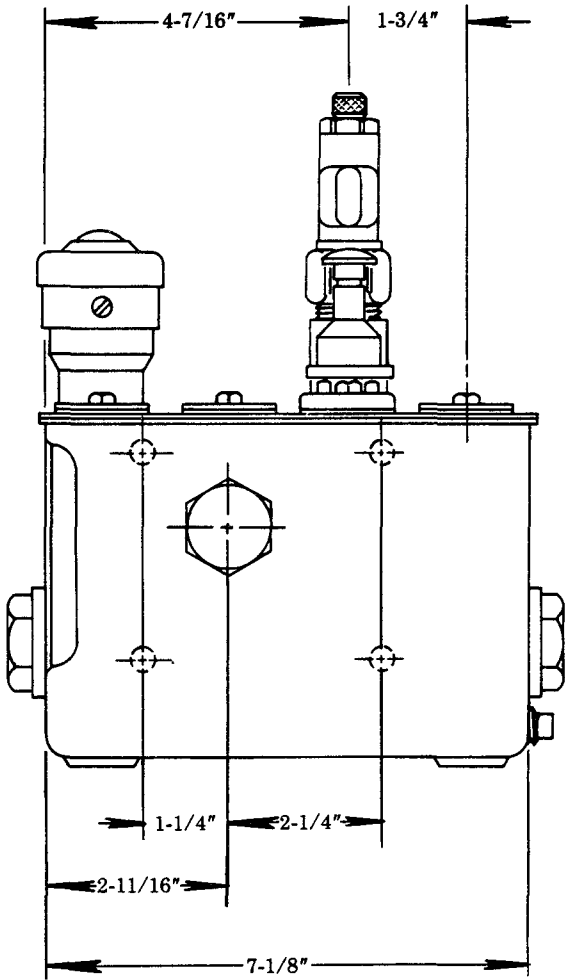
LUBRICATOR	RATIO	PUMP	TUBE CONNECTOR
800005	80:1	**880187	66201
800165	60:1	*880031	—
800469	80:1	**880187	—

* 880031 Model "SF" Pump, Refer to Section M1, Page 2 Series.
 ** 880187 Model "55" Pump, Refer to Section M1, Page 1 Series.

SERVICE PARTS

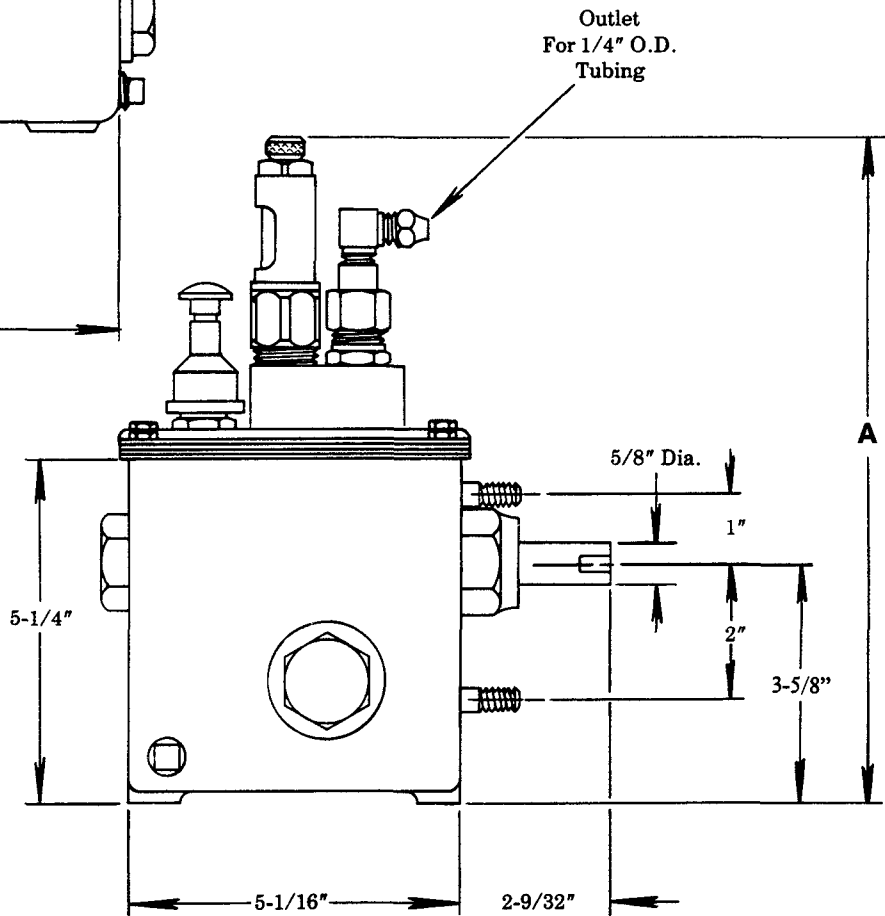
PART	QUAN.	DESCRIPTION
15782	4	Stud
32076	1	Cover gasket
34622	As req'd	Gasket
51005	4	Nut
66220	4	Washer
67007	1	Drain plug
69944	1	Strainer
360658	1	Cover plate
880085	1	Filler assembly
880093	As req'd	Slot cover assembly
880133	1	Gauge glass assembly

 A PENTAIR COMPANY	One Lincoln Way St. Louis, MO 63120-1578 (314) 679-4200 Customer Service, (314) 679-4300	SECTION - M2 PAGE - 48B
-----------------------	---------------------------------------------------------------------------------------------------	------------------------------------------



DIMENSIONS

MODEL	A
800005	10-1/8"
800165	11-7/8"
800469	10-1/8"



RETAIN THIS INFORMATION FOR FUTURE REFERENCE

When ordering replacement parts, list: Part Number, Description, Model Number, and Series Letter.

LINCOLN provides a Distributor Network that stocks equipment and replacement parts.