

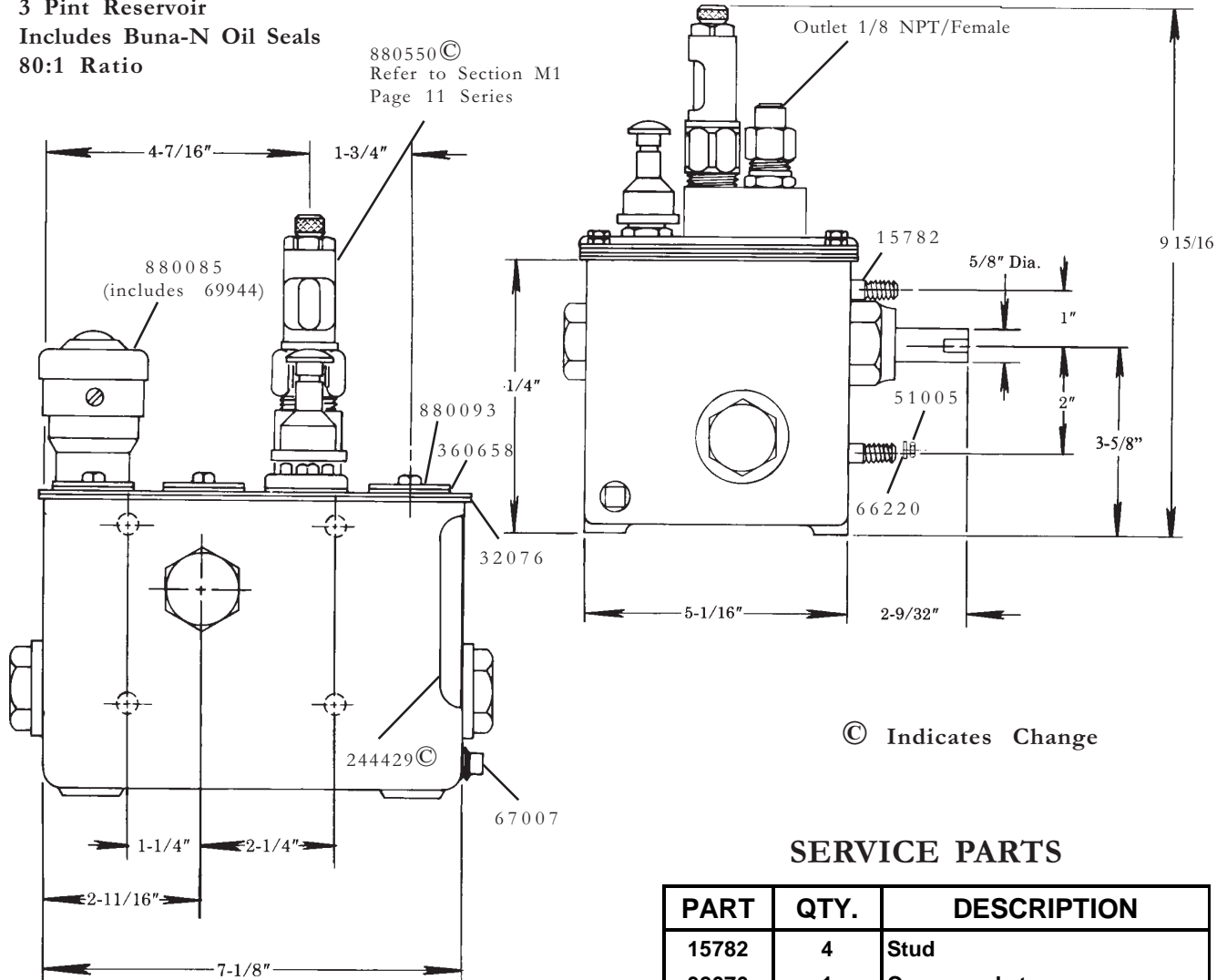


Industrial Division—USA
ISO 9001 Registered

Model 800469 LUBRICATOR Series "D"

Internal Rear Rotary Drive
3 Pint Reservoir
Includes Buna-N Oil Seals
80:1 Ratio

880550 ©
Refer to Section M1
Page 11 Series



© Indicates Change

SERVICE PARTS

PART	QTY.	DESCRIPTION
15782	4	Stud
32076	1	Cover gasket
51005	4	Nut
66220	4	Washer
67007	1	Drain plug
69944	1	Strainer
244429	1	Fluid level gauge
360658	1	Cover plate
880085	1	Filler assembly
880093	As req'd	Slot cover assembly
880550	As req'd	Model "55i" pump assembly

NOTE: Part numbers listed on this page are correct, although drawing may not accurately illustrate current production components.



Industrial Division—USA
ISO 9001 Registered

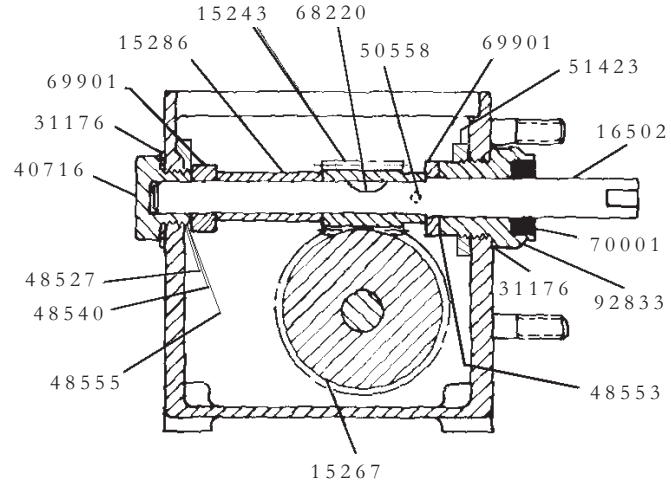
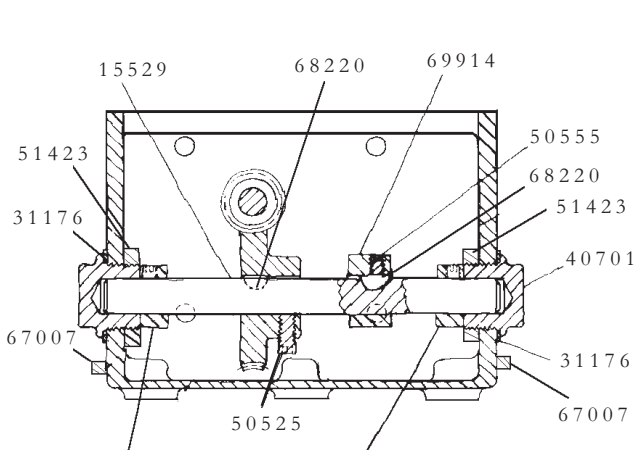
One Lincoln Way
St. Louis, Missouri 63120-1578
(314) 679-4200

Copyright 1995
Printed in U.S.A.

Section - **M2**
Page - **48C**

NOTE: Part numbers listed on this page are correct, although drawing may not accurately illustrate current production components.

**ROTARY DRIVE ADAPTATION
INTERNAL REAR ROTARY
For 800469
3 Pint 80:1 Ratio Lubricator**



Model 800469 uses 69914 Eccentric, 68220 #3 Woodruff Key and 50555 Set Screw in these locations to make use of an extra pump station.

DISASSEMBLY INSTRUCTIONS

Removal of pumps, filler, and cover plate allows access to the lubricator drive.

Unscrew 40716 End Bearing with 31176 Washer and 92833 Drive Shaft Bearing with 70001 Oil Seal. Rotate 16502 Drive Shaft until 50558 Set Screw can be removed. As drive shaft is pulled out of reservoir, 69901, 15286 Spacer and worm can be removed.

Unscrew 40701 End Bearings and remove with 31176 Washers and 51423 Hex. Nut from reservoir. Loosen set screws holding 69914 Eccentric and 15267 Worm Gear. Move eccentric and worm gear clear of its 68220 #3 Woodruff Key and remove keys. Remove 15529 Camshaft from reservoir allowing removal of stop collars, eccentric and worm gear.

To assemble, reverse disassembly procedure.

SERVICE PARTS

Part	Qty.	Description	Part	Qty.	Description
15243	1	Worm	48555	As req'd	Shim
15267	1	Worm gear	50525	1	Set screw
15286	1	Spacer	50555	*	Set screw
15529	1	Camshaft	50558	As req'd	Set screw
16502	1	Drive shaft	51423	4	Hex. nut
31176	4	Gasket	67007	2	Plug
40701	2	End bearing	68220	As req'd	#3 Woodruff key
40716	1	End bearing	69901	2	Thrust bearing
48527	1	Washer	69914	*	Eccentric
48540	3	Washer	70001	1	Oil seal
48553	1	Washer	92833	1	Drive shaft bearing

* One per pump station

RETAIN THIS INFORMATION FOR FUTURE REFERENCE

When ordering replacement parts, list: Part Number, Description, Model Number, and Series Letter.

LINCOLN provides a Distributor Network that stocks equipment and replacement parts.