

**LUBRICATOR**  
**CENTER INTERNAL REAR ROTARY DRIVE**  
**250:1 RATIO**  
**2 QUART RESERVOIR**

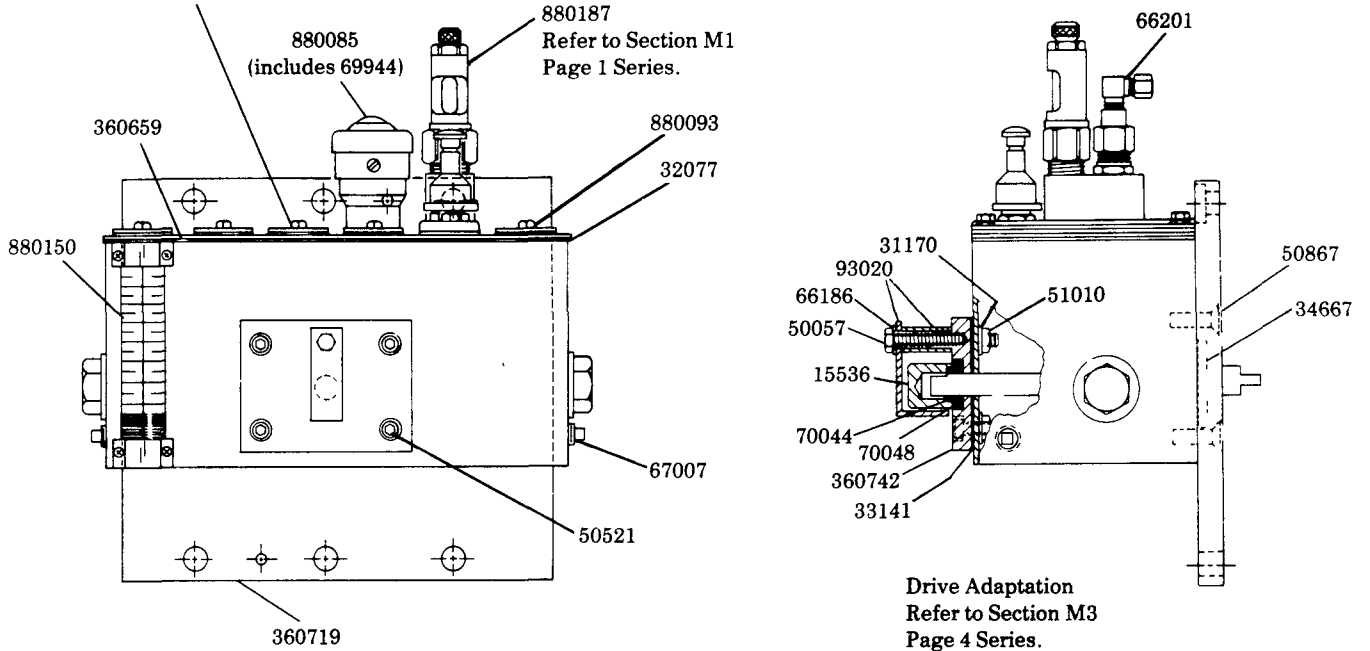


**Model 800062 SERIES**

**Series "B"**

34622 included with pumps,  
slot covers and filler.

This pump station cannot be used  
because of drive interference.



**SERVICE PARTS**

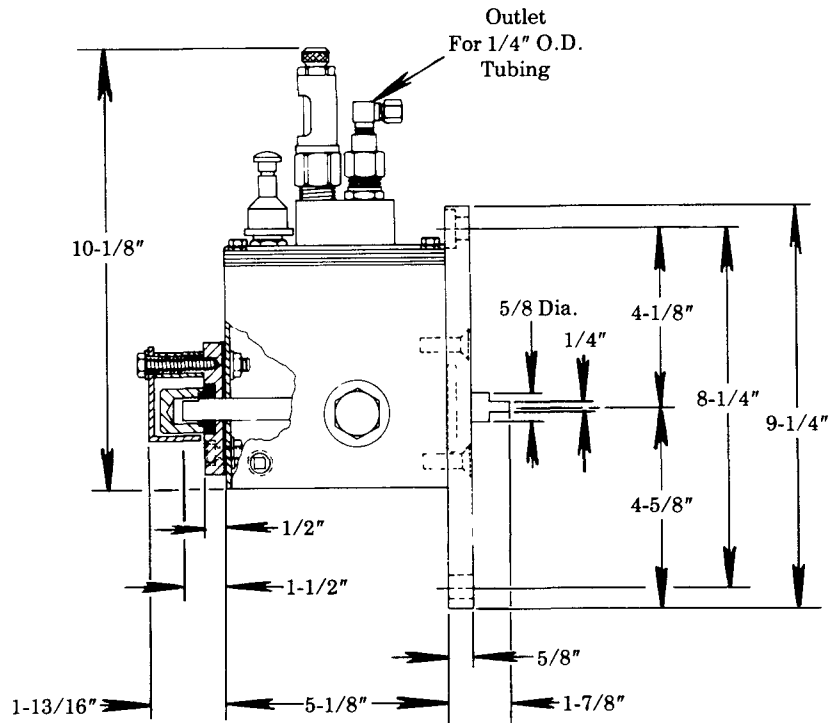
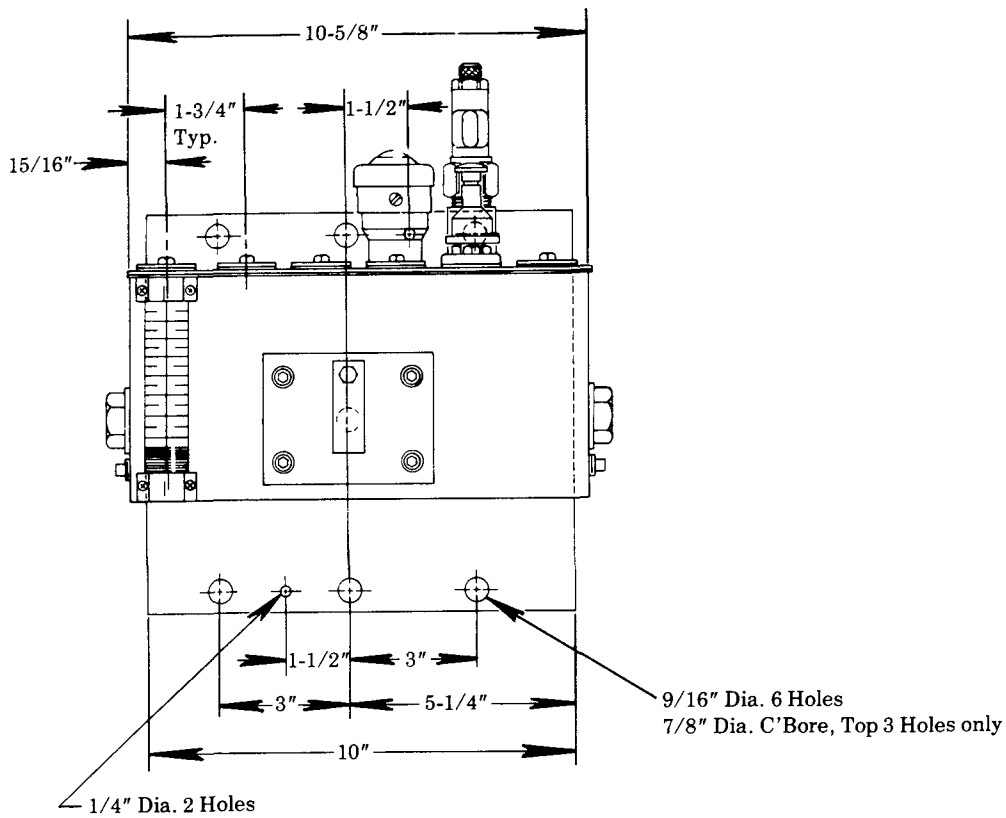
PART	QUAN.	DESCRIPTION
15536	1	Cover cap
31170	4	Washer
32077	1	Cover gasket
33141	1	Gasket
34622	As req'd	Gasket
34667	1	O-Ring
50057	1	Screw
50521	4	Socket head screw
50867	4	Screw
51010	4	Nut
66186	1	Lockwasher
66201	As req'd	90° Tube connector
67007	2	Drain plug
69944	1	Strainer
70044	1	Oil seal
70048	1	Oil seal
93020	1	Bracket & spacer assembly
360659	1	Cover plate
360719	1	Mounting plate
360742	1	Housing
880085	1	Filler assembly
880093	As req'd	Slot cover assembly
880150	1	Gauge glass assembly
880187	As req'd	Model "55" pump assembly

**LINCOLN ST. LOUIS**  
 4010 GOODFELLOW BLVD · ST LOUIS MO 63120 · (314) 383 5900



A DIVISION OF  
**McNEIL**  
 CORPORATION

**SECTION - M2**  
**PAGE - 49A**



**RETAIN THIS INFORMATION FOR FUTURE REFERENCE**

When ordering replacement parts, list: Part Number, Description, Model Number, and Series Letter.  
LINCOLN ST. LOUIS provides a Distributor Network that stocks equipment and replacement parts.