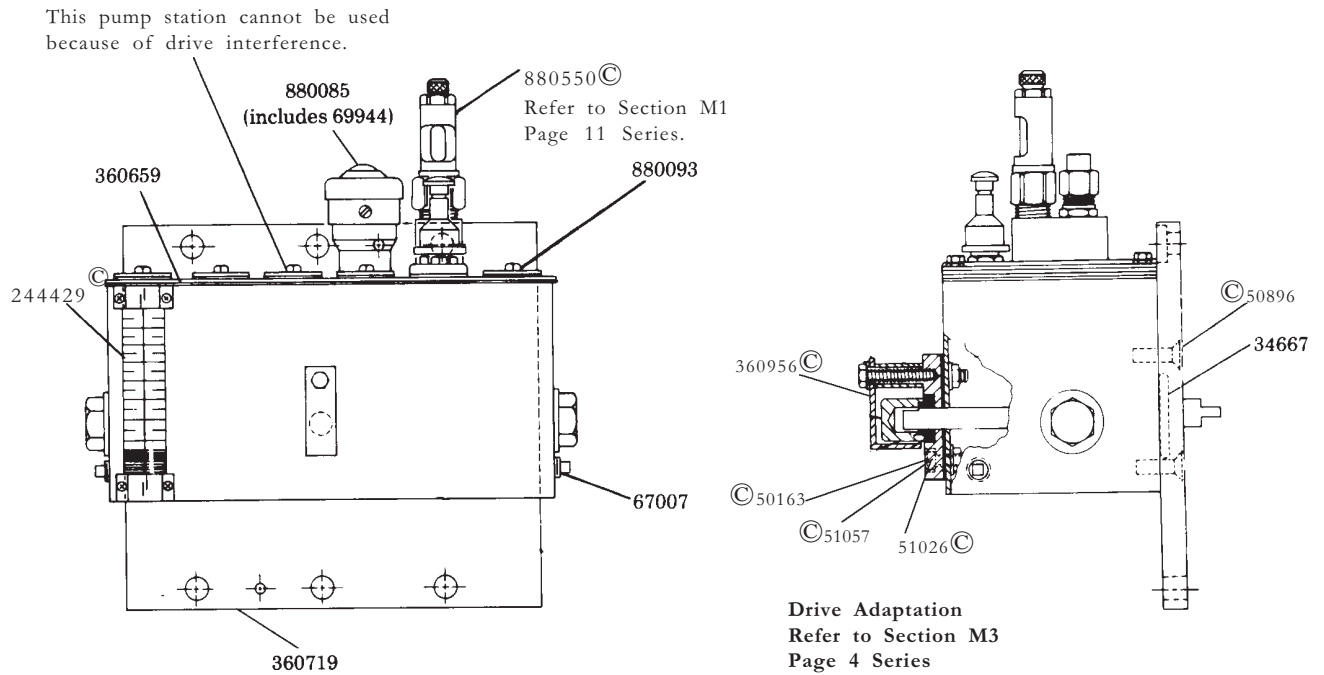


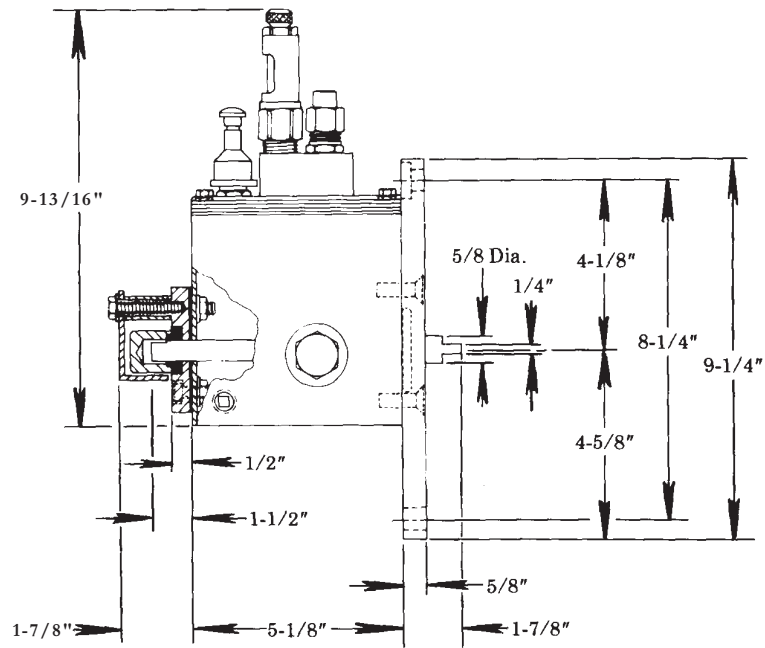
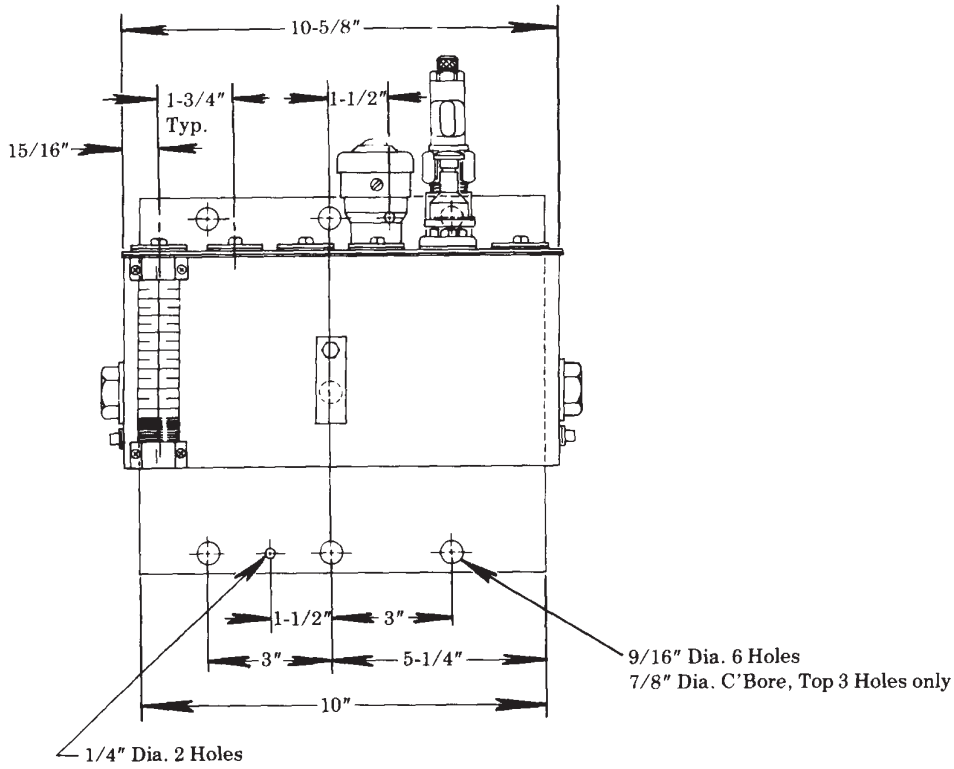
NOTE: Part numbers listed on this page are correct, although drawing may not accurately illustrate current production components.

**CENTER INTERNAL REAR ROTARY DRIVE
250:1 RATIO
2 QUART RESERVOIR**



SERVICE PARTS

Part	Qty.	Description
34667	1	O-ring (Buna-N)
50163	1	Bolt
50896	4	Screw
51026	1	Nut
51057	1	Nut
67007	2	Drain plug
69944	1	Strainer
244429	1	Fluid level gauge
360659	1	Cover plate
360719	1	Mounting plate
360956	1	Guard
360957	1	Bracket
880085	1	Filler assembly
880093	As req'd	Slot cover assembly
880550	As req'd	Model "55i" pump assembly



RETAIN THIS INFORMATION FOR FUTURE REFERENCE

When ordering replacement parts, list: Part Number, Description, Model Number, and Series Letter.

LINCOLN provides a Distributor Network that stocks equipment and replacement parts.