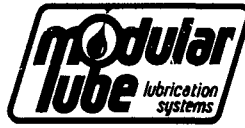
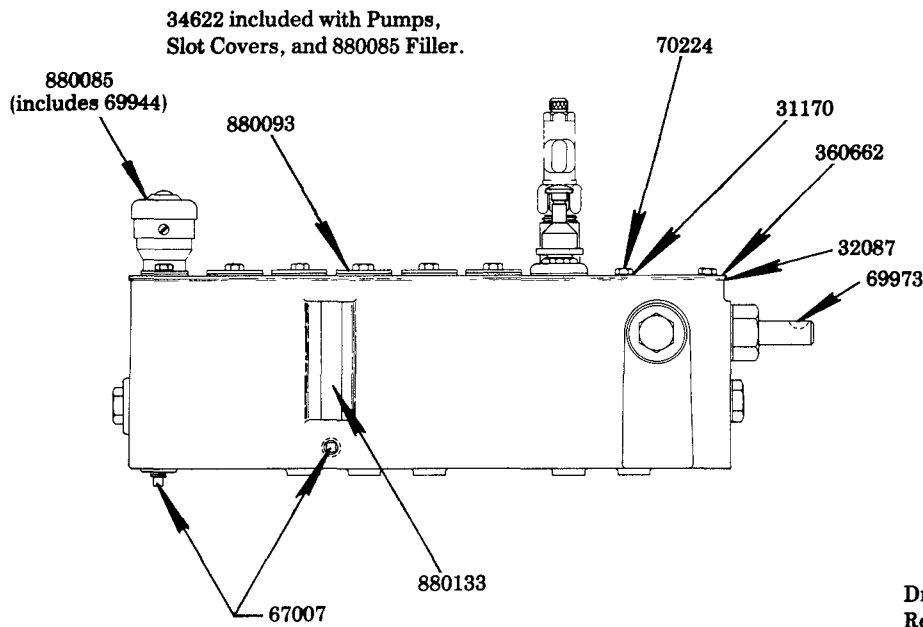


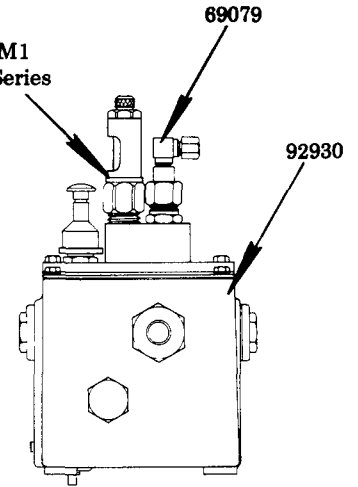
LUBRICATOR
R.H. END DRIVE, 111:1 RATIO
1 GALLON RESERVOIR



Model 800107 SERIES



880187
Refer to
Section M1
Page 1 Series



Drive Adaptation
Refer to Section M3
Page 1 Series

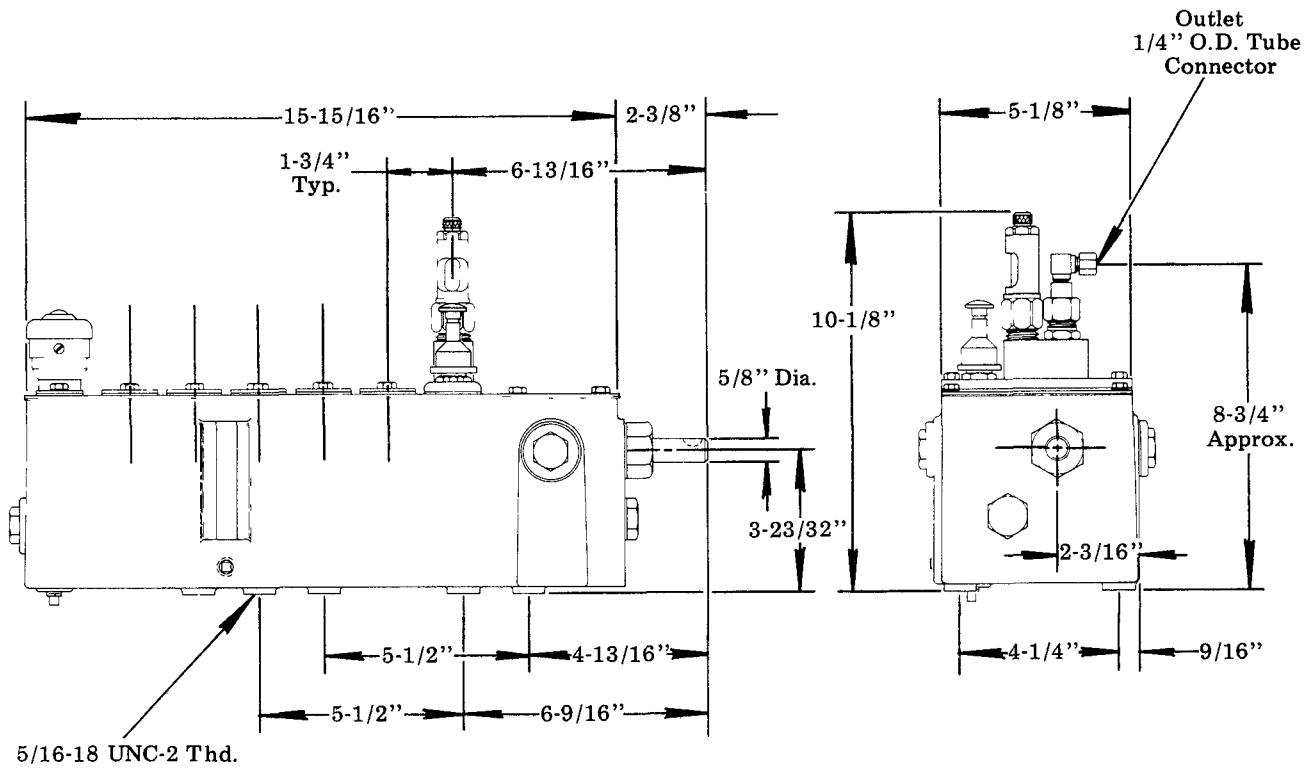
SERVICE PARTS

PART NO.	QUAN.	DESCRIPTION
31170	4	Gasket
32087	1	Cover Gasket
34622	As Req'd.	Gasket
67007	2	Drain Plug
69079	As Req'd.	90° Tube Connector
69944	1	Strainer
69973	1	#5 Woodruff Key
70224	4	Screw
92930	1	Reservoir Assembly
360662	1	Cover Plate
880085	1	Filler Assembly
880093	As Req'd.	Slot Cover Assembly
880133	1	Gauge Glass
880187	As Req'd.	Model "55" Pump

LINCOLN ST. LOUIS
4010 GOODFELLOW BLVD • ST LOUIS, MO. 63120 • (314) 383-5900



SECTION - M2
PAGE - 5



RETAIN THIS INFORMATION FOR FUTURE REFERENCE

When ordering replacement parts, list: Part Number, Description, Model Number, and Series Letter.

LINCOLN ST. LOUIS provides a Distributor Network that stocks equipment and replacement parts.