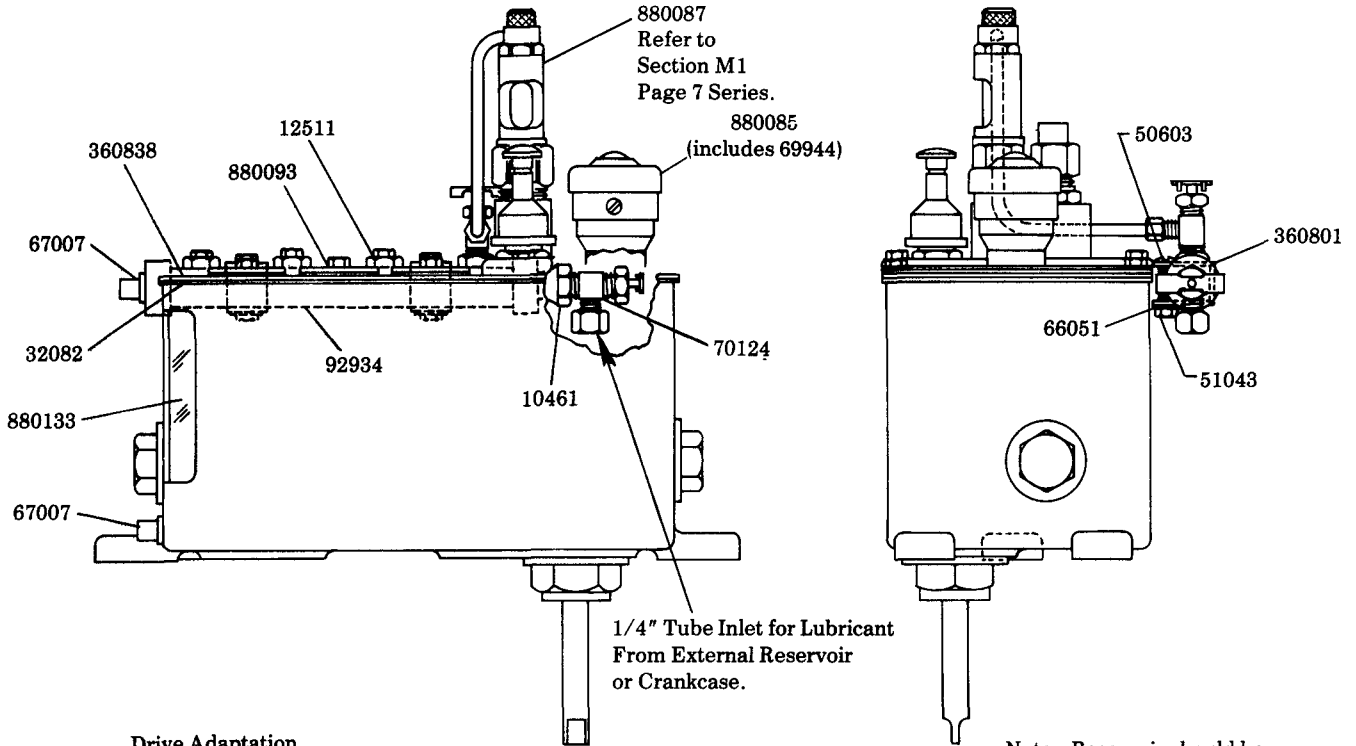


34622 included with pumps,
 slot covers and filler.

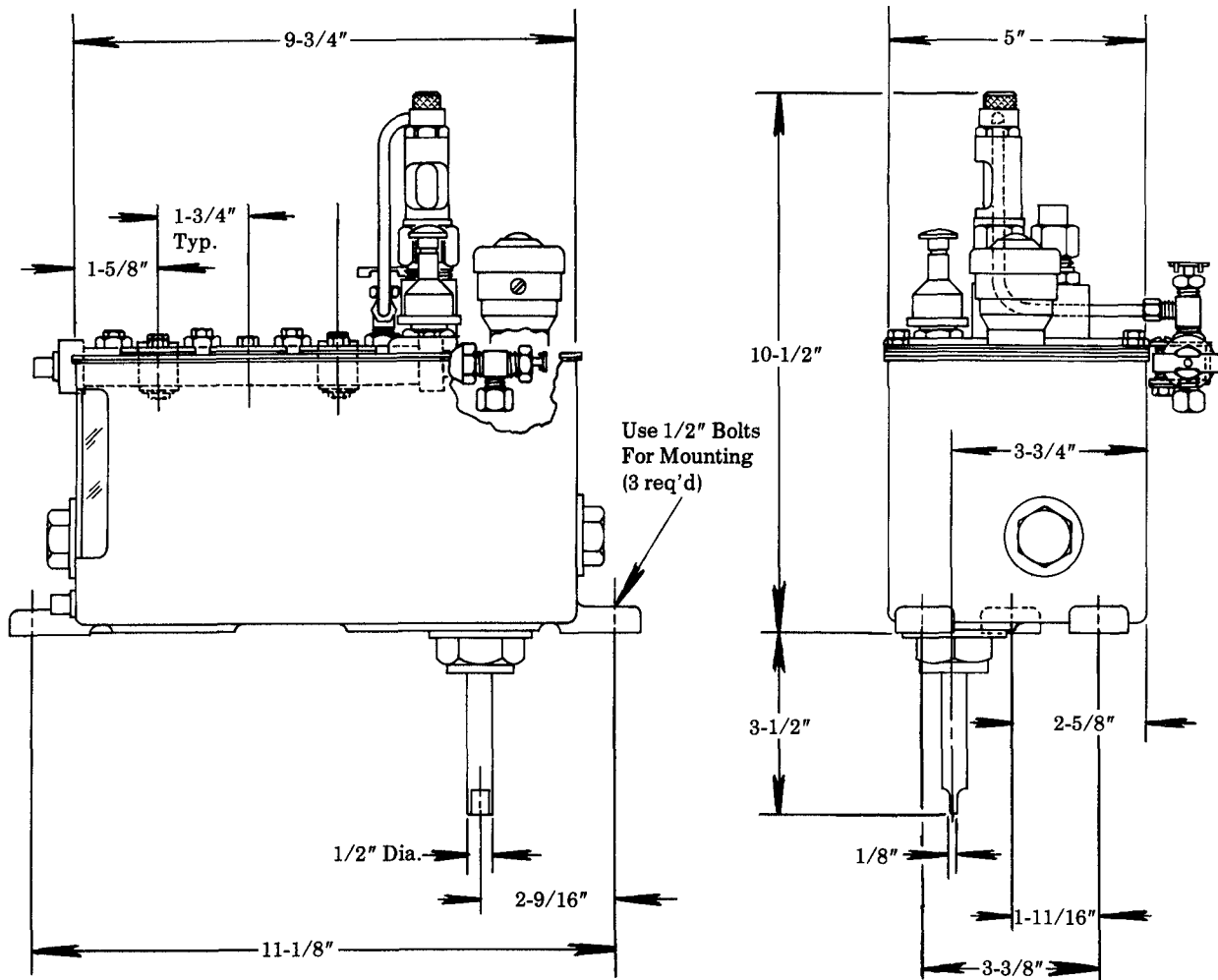


Drive Adaptation
 Refer to Section M3
 Page 6 Series.

Note: Reservoir should be
 filled with 30 wt. oil.

SERVICE PARTS

PART	QUAN.	DESCRIPTION
10461	1	Pipe bushing
12511	As req'd	Pipe plug
32082	1	Cover gasket
34622	As req'd	Gasket
50603	2	Screw
51043	2	Nut
66051	2	Lockwasher
67007	2	Drain plug
69944	1	Strainer
70124	1	Shut-off cock
92934	1	Manifold assembly
360801	2	Mounting bracket
360838	1	Cover plate
880085	1	Filler assembly
880087	As req'd	Model "55" pump (pressurized suction)
880093	As req'd	Slot cover assembly
880133	1	Gauge glass assembly



RETAIN THIS INFORMATION FOR FUTURE REFERENCE

When ordering replacement parts, list: Part Number, Description, Model Number, and Series Letter.
 LINCOLN ST. LOUIS provides a Distributor Network that stocks equipment and replacement parts.