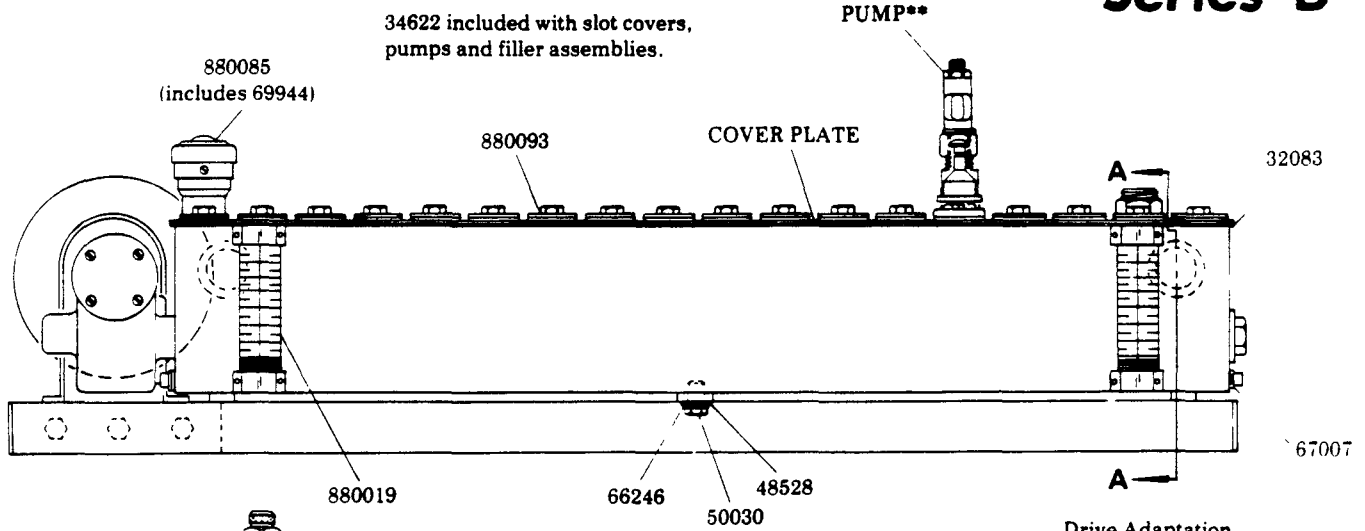


LUBRICATOR
L.H. REAR ROTARY DRIVE
2.5 GALLON RESERVOIR

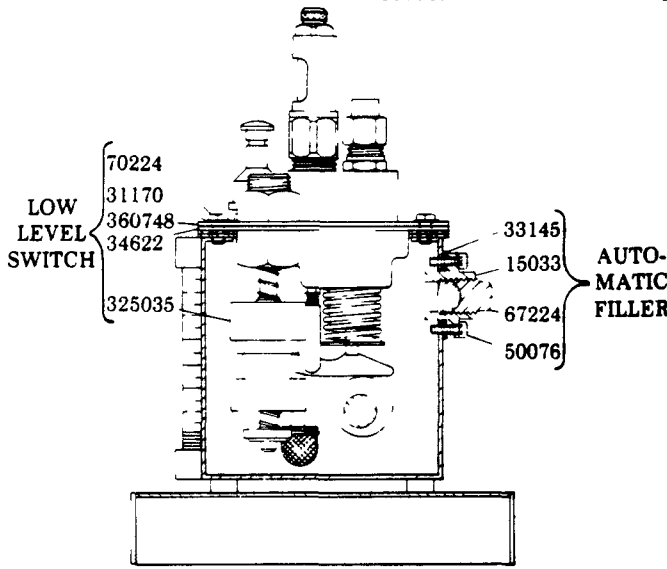


Series "B"

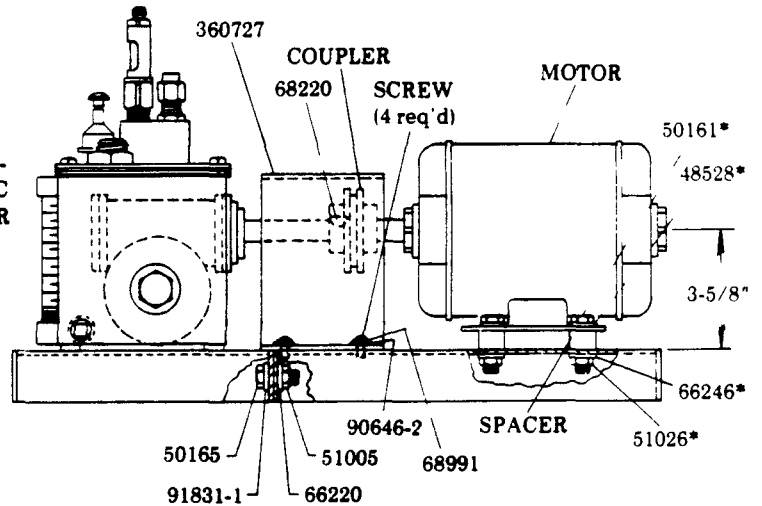
34622 included with slot covers, pumps and filler assemblies.



Drive Adaptation
 Refer to section M3
 page 8 series.



SECTION A-A



* For Lubricators with Motors only
 (4 of each required)

LUBRICATOR	RATIO	PUMP** (As req'd)	MOTOR†	SPACER†	COUPLER	SCREW (4 req'd)	AUTO- MATIC FILLER	LOW LEVEL SWITCH	FILLER ASSEMBLY	COVER PLATE		
										END	MIDDLE	END
800108	60:1	880031	323004	48528	69974	50877	2 req'd	2 req'd	2 req'd	360763	360793	360763
800206	60:1	880030	68564	15568	69927	50667	1 req'd	1 req'd	1 req'd	360763	360850	
800207	30:1	880330			69974	50667	2 req'd	2 req'd	2 req'd	360763	360793	360763
800245	60:1	880030	323022	48528	69974	50667	1 req'd	1 req'd	1 req'd	360665		
800329	60:1	880030	68564	15568	69927	50667	1 req'd	1 req'd	1 req'd	360763	360850	
800446	60:1	880030			69974	50877	1 req'd	1 req'd	1 req'd	360763	360850	
800447	60:1	880187	323011	48528	69974	50877	1 req'd	1 req'd	1 req'd	360763	360850	
800460	60:1	880030	68564	15568	69927	50877	2 req'd	2 req'd	2 req'd	360763	360793	360763

** Refer to section M1, page 1 series for 880187 & 880330
 Pump Assemblies.
 Refer to section M1, page 2 series for 880030 & 880031
 Pump Assemblies.

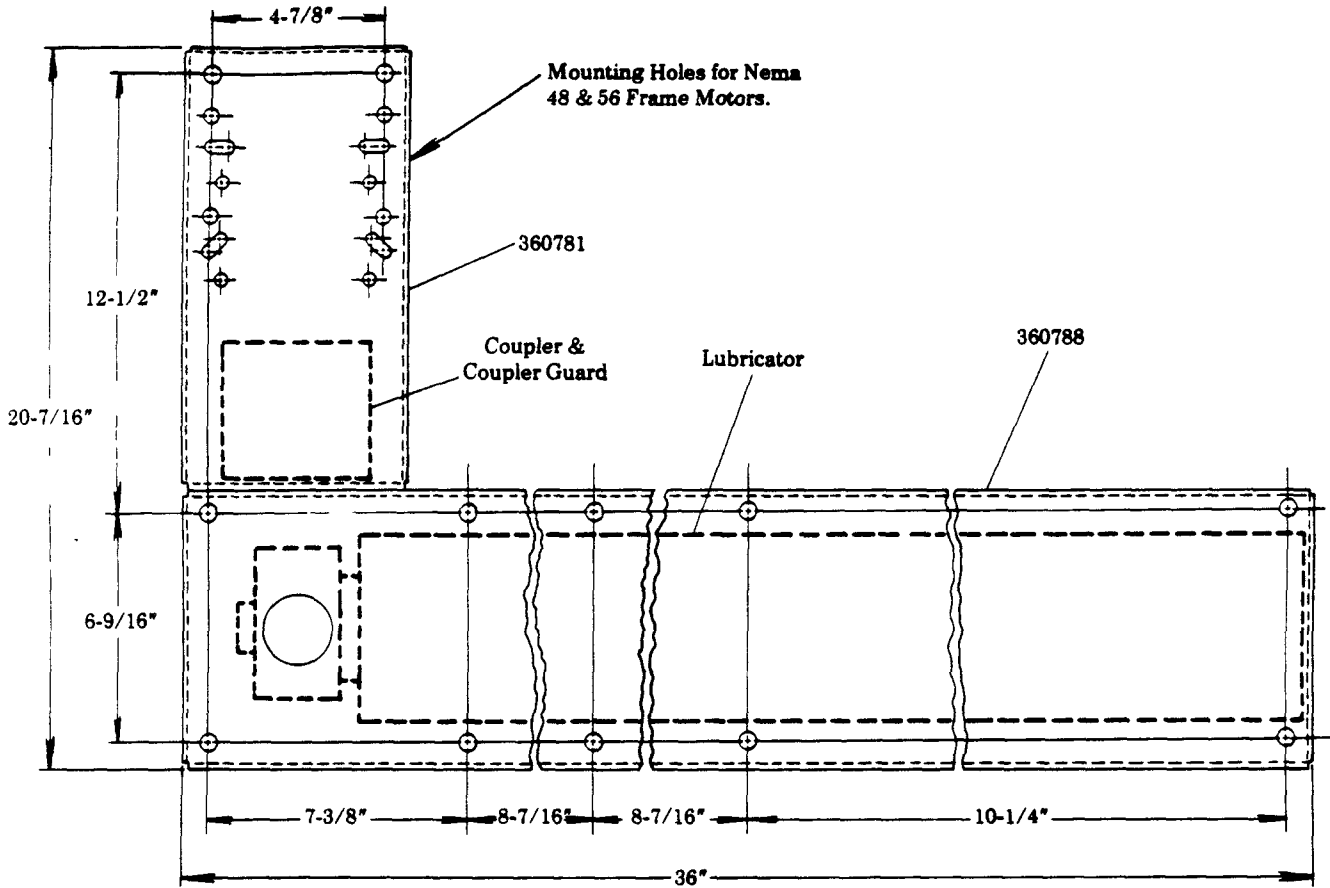
† Motors with Nema 48 frames (68564) use 4 - 15568 Spacers.
 Motors with Nema 56 frames (323004, 323011 & 323022)
 use 8 - 48528 Spacers.

LINCOLN ST. LOUIS
 4010 GOODFELLOW BLVD - ST LOUIS, MO 63120 - (314) 383-5900



A DIVISION OF
McNEIL
 CORPORATION

SECTION - **M2**
 PAGE - **52 A**



SERVICE PARTS

PART	QUAN.	DESCRIPTION	PART	QUAN.	DESCRIPTION
15033	1•	Filler cap flange	67007	2	Drain plug
31170	2★	Washer	67224	1•	Pipe plug
32083	1	Cover gasket	68220	1	#3 Woodruff key
33145	1•	Gasket	68991	4	Lockwasher
34622	1★	Gasket	69944	1††	Strainer
34622	As req'd	Gasket	70224	2★	Screw
48528	6	Washer	90646-2	4	Packing washer
48528	4*	Washer	91831-1	3	Washer
50030	6	Screw	325035	1★	Level switch
50076	4•	Screw	360727	1	Coupler guard
50161	4*	Screw	360748	1★	Pump slot cover
50165	3	Screw	360781	1	Motor base
51005	3	Nut	360788	1	Reservoir base
51026	4*	Nut	880019	2	Gauge glass assembly
66220	3	Lockwasher	880085	See chart	Filler assembly
66246	6	Lockwasher	880093	As req'd	Slot cover assembly
66246	4*	Lockwasher			

- * For Lubricators with Motors only.
- Required per Automatic Filler Assembly.
- ★ Required per Low Level Switch.
- †† Required per Filler Assembly.

RETAIN THIS INFORMATION FOR FUTURE REFERENCE

When ordering replacement parts, list: Part Number, Description, Model Number, and Series Letter.

LINCOLN ST. LOUIS provides a Distributor Network that stocks equipment and replacement parts.