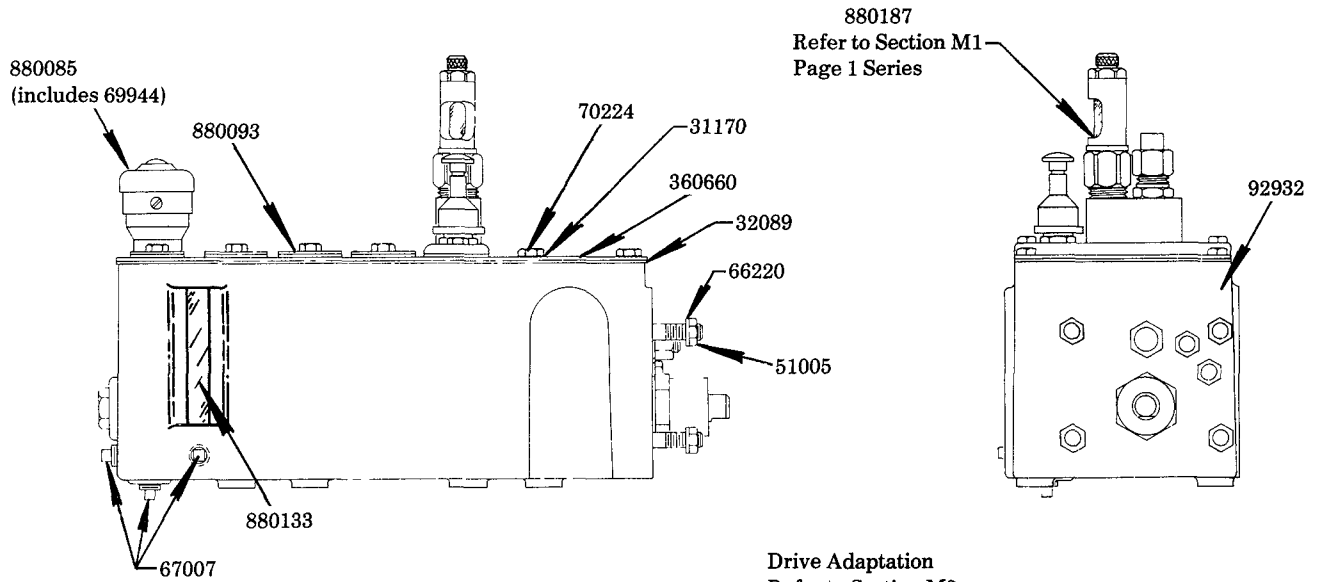


# LUBRICATOR

R. H. END DRIVE, 37.5 : 1 RATIO  
2 QT. RESERVOIR



# Model 800015 SERIES



34622 included with Pumps,  
Slot Covers, and Filler.

Drive Adaptation  
Refer to Section M3  
Page 3 Series

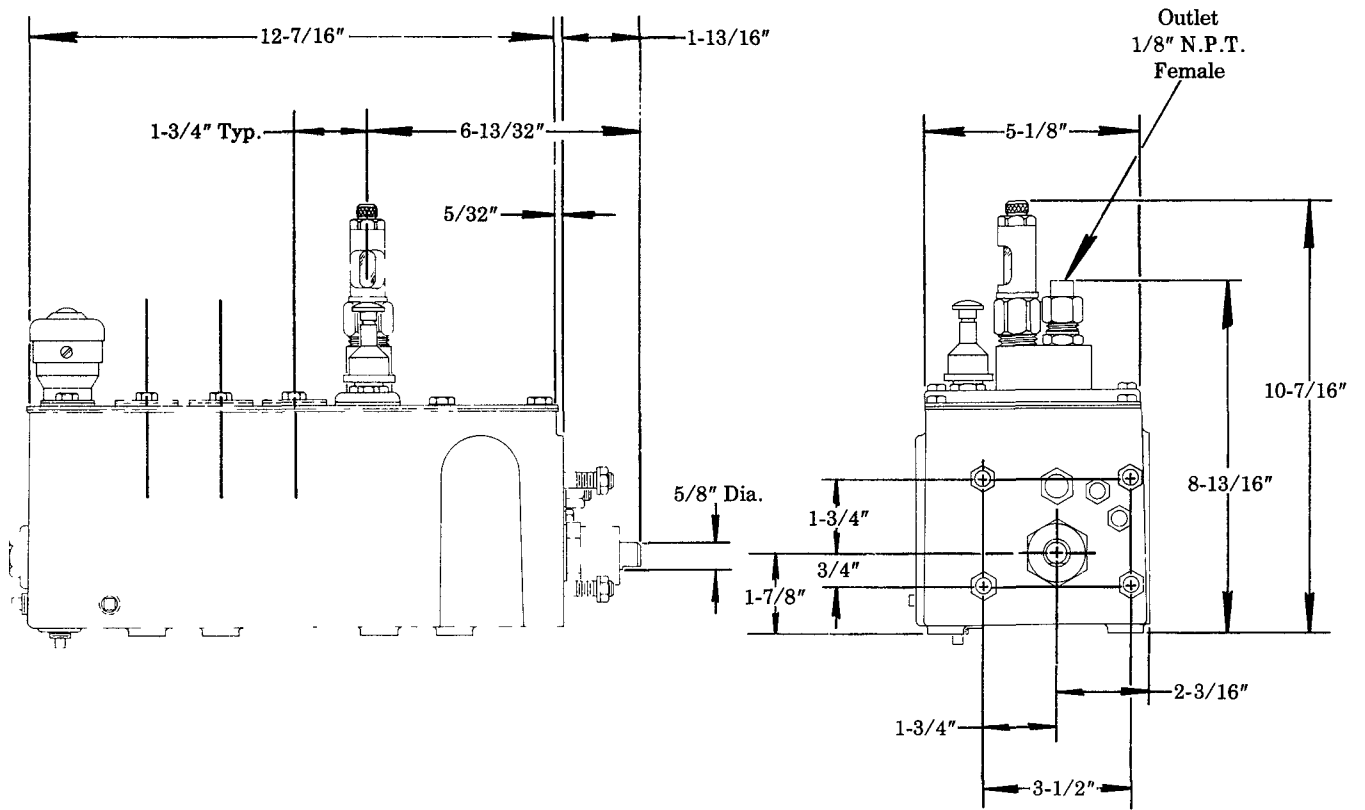
## SERVICE PARTS

PART NO.	QUAN.	DESCRIPTION
31170	4	Washer
32089	1	Cover Gasket
34622	As Req'd.	Gasket
51005	4	Hex Nut
66220	4	Lockwasher
67007	3	Drain Plug
69944	1	Strainer
70224	4	Screw
92932	1	Reservoir
360660	1	Cover Plate
880085	1	Filler Assembly
880093	As Req'd.	Slot Cover Assembly
880133	1	Gauge Glass Assembly
880187	As Req'd.	Model "55" Pump

**LINCOLN ST. LOUIS**  
4010 GOODFELLOW BLVD · ST LOUIS, MO 63120 · (314) 383 5900



SECTION - **M2**  
PAGE - **6**



**RETAIN THIS INFORMATION FOR FUTURE REFERENCE**

When ordering replacement parts, list: Part Number, Description, Model Number, and Series Letter.  
 LINCOLN ST. LOUIS provides a Distributor Network that stocks equipment and replacement parts.